



Extra-Wide Flood

Warm Edition

Project Information

Job Name

Fixture Type 86 Watt LED Extra-Wide Flood Light

Catalog Number PFLXW86LED3K

Approved by

PFLXW86LED3K 86 Watt LED Extra-Wide Flood Light



SPECIFICATIONS:

Lumens: 11,160
Watts: 86.87
Lumens/Watt: 128.5
CRI: 81
CCT: 3095
Lifespan: 200,000+ hrs.¹

Construction:

Designed for commercial and industrial applications, providing cooler operating temperatures, brighter light and longer LED life. Apertures for field or factory installed photocontrol. Available with heavy duty trunion or slipfitter.

Extra Wide Distribution Pattern:

Designed to provide maximum light spread for short set backs when lighting signs and washing walls.

Thermal Management:

Atlas Extra-Wide Flood Lights are designed as a complete system to optimize LED life and light output. The Patent Pending thermal stacking heat removal technology extracts heat from within the housing moving it away from LEDs and components. The lower temperatures result in long LED life (200,000+ hrs) and component life and also allows for higher light output.

Listings:

Luminaire is certified to UL/cUL Standards for Wet Locations
Lighting Facts Certified
DesignLights Consortium Premium qualified luminaire, eligible for rebates from DLC member utilities. DLC Product ID: PY9G8JQL

AC Input:

120/208/240/277 V

Driver:

Constant current, Class 2, 120-277 VAC, 50-60 Hz
High Efficiency – min. 88%
Off-State Power: 0 Watts
0-10 V Dimming

LEDs:

3000K CCT
Epoxy Guard™ protective conformal coated boards

Atlas LEDs provide higher lumen output, greater energy efficiency and more reliable fixture performance.

Reduced Glare:

Positioning of the LED modules within the housing result in light directed to desired locations and reduces offensive light.

Testing:

Atlas LED luminaires have been tested by an independent laboratory in accordance with IESNA LM-79 & LM-80, and have received the Department of Energy "Lighting Facts" label.

Warranty:

Five-year limited warranty

Options:

Photo Control - For factory installed 120V button photo control add suffix PC to part number.
480 Volt - For 480V add suffix 4 to part number.

Alpha Series LED

PROFESSIONAL GRADE



PFLXW86LED3K Design
is Protected by
US Patent D740,997

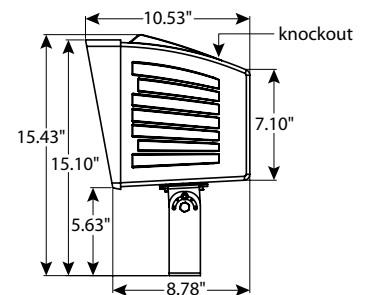
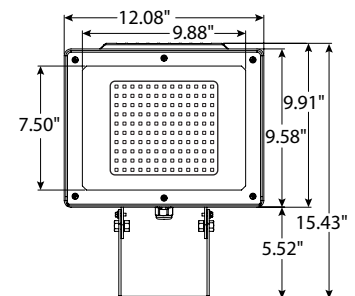


Optional Factory
Installed Slipfitter
PFLXW86LED3KS

DIMENSIONS:

Weight: (with Trunion) 20 lbs.
(with Slipfitter) 21 lbs.

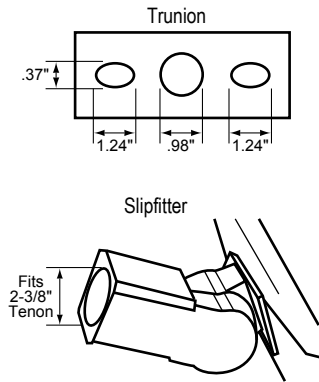
EPA: 1.00



¹LED Life Span Based Upon LM-80 Test Results

**Rebates and Incentives are available in many areas.
Contact an Atlas Representative for more information.**

MOUNTING DETAIL



To Order Use Part #: **PFLXW86LED3KS**

ENERGY SAVINGS

LED		HID			ANNUAL SAVINGS
WATTAGE	ANNUAL COST	SOURCE WATTAGE	TOTAL WATTAGE USED	ANNUAL COST	
86	\$38	200	232	\$128	\$90
86	\$38	250	285	\$150	\$112
86	\$38	400	458	\$226	\$188

Atlas Lighting Products, Inc.

LED lighting facts®
A Program of the U.S. DOE

Light Output (Lumens)	11160
Watts	86.87
Lumens per Watt (Efficacy)	128.5

Color Accuracy Color Rendering Index (CRI)	81
--	-----------

Light Color Correlated Color Temperature (CCT)	3095 (Bright White)
--	----------------------------

2700K 3000K 4500K 6500K

Warm White Bright White Daylight

All results are according to IESNA LM-79-2008: *Approved Method for the Electrical and Photometric Testing of Solid-State Lighting*. The U.S. Department of Energy (DOE) verifies product test data and results.

Visit www.lightingfacts.com for the Label Reference Guide.

Registration Number: PRB4-QK8MK1 (9/29/2017)
Model Number: PFLXW86LED3K
Type: Luminaire - Area/Roadway