



# Extra-Wide Flood

## Project Information

Job Name

Fixture Type 102 Watt LED Extra-Wide Flood Light

Catalog Number PFLXW102LED

Approved by

**PFLXW102LED** 102 Watt LED Extra-Wide Flood Light



### SPECIFICATIONS:

**Lumens:** 14060  
**Watts:** 99.16  
**Lumens/Watt:** 141.79  
**CRI:** 83  
**CCT:** 4805  
**Lifespan:** 200,000+ hrs.<sup>1</sup>

#### Construction:

Designed for commercial and industrial applications, providing cooler operating temperatures, brighter light and longer LED life. Apertures for field or factory installed photocontrol. Available with heavy duty trunion or slipfitter.

#### Extra Wide Distribution Pattern:

Designed to provide maximum light spread for short set backs when lighting signs and washing walls.

#### Thermal Management:

Atlas Extra-Wide Flood Lights are designed as a complete system to optimize LED life and light output. The Patent Pending thermal stacking heat removal technology extracts heat from within the housing moving it away from LEDs and components. The lower temperatures result in long LED life (200,000+ hrs) and component life and also allows for higher light output.

#### Listings:

Luminaire is certified to UL/cUL Standards for Wet Locations  
Lighting Facts Certified  
DesignLights Consortium Premium qualified luminaire, eligible for rebates from DLC member utilities. DLC Product ID: P32ZKEJM

#### AC Input:

120/208/240/277 V

#### Driver:

Constant current, Class 2, 120-277 VAC, 50-60 Hz  
High Efficiency – min. 88%  
Off-State Power: 0 Watts  
0-10 V Dimming

#### LEDs:

4500K CCT  
Epoxy Guard™ protective conformal coated boards

Atlas LEDs provide higher lumen output, greater energy efficiency and more reliable fixture performance.

#### Reduced Glare:

Positioning of the LED modules within the housing result in light directed to desired locations and reduces offensive light.

#### Testing:

Atlas LED luminaires have been tested by an independent laboratory in accordance with IESNA LM-79 & LM-80, and have received the Department of Energy "Lighting Facts" label.

#### Warranty:

Five-year limited warranty

#### Options:

Photo Control - For factory installed 120V button photo control add suffix PC to part number.  
480 Volt - For 480V add suffix 4 to part number.

**Alpha Series LED**  
PROFESSIONAL GRADE



**PFLXW102LED Design is Protected by US Patent D740,997**

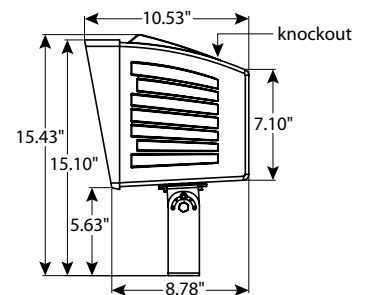
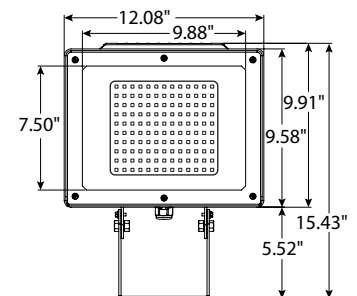


**Optional Factory Installed Slipfitter PFLXW102LEDs**

### DIMENSIONS:

**Weight:** (with Trunion) 20 lbs.  
(with Slipfitter) 21 lbs.

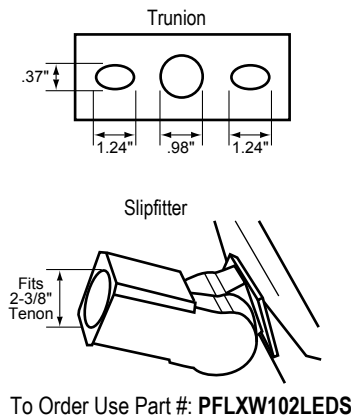
**EPA:** 1.00



<sup>1</sup>LED Life Span Based Upon LM-80 Test Results

**Rebates and Incentives are available in many areas. Contact an Atlas Representative for more information.**

**MOUNTING DETAIL**



**ENERGY SAVINGS**

LED		HID			ANNUAL SAVINGS
WATTAGE	ANNUAL COST	SOURCE WATTAGE	TOTAL WATTAGE USED	ANNUAL COST	
102	\$45	200	232	\$128	\$83
102	\$45	250	285	\$150	\$105
102	\$45	400	458	\$226	\$181

Atlas Lighting Products, Inc

**lighting facts**<sup>®</sup>  
A Program of the U.S. DOE

<b>Light Output (Lumens)</b>	<b>14060</b>
<b>Watts</b>	<b>99.16</b>
<b>Lumens per Watt (Efficacy)</b>	<b>141.79</b>
<hr/>	
<b>Color Accuracy</b>	<b>83</b>
Color Rendering Index (CRI)	
<hr/>	
<b>Light Color</b>	<b>4805 (Daylight)</b>
Correlated Color Temperature (CCT)	
Warm White	Bright White
2700K	3000K
	4500K
	6500K

All results are according to IESNA LM-79-2008: *Approved Method for the Electrical and Photometric Testing of Solid-State Lighting*. The U.S. Department of Energy (DOE) verifies product test data and results.

**Visit [www.lightingfacts.com](http://www.lightingfacts.com) for the Label Reference Guide.**

Registration Number: PRB4-7LHXSD (4/3/2017)  
Model Number: PFLXW102LED  
Type: Luminaire - Area/Roadway