



Extra-Wide Flood

Warm Edition

Project Information

Job Name

Fixture Type 102 Watt LED Extra-Wide Flood Light

Catalog Number PFLXW102LED3K

Approved by

PFLXW102LED3K 102 Watt LED Extra-Wide Flood Light



SPECIFICATIONS:

Lumens: 13,390
Watts: 100.6
Lumens/Watt: 133.2
CRI: 81
CCT: 3096
Lifespan: 200,000+ hrs.¹

Construction:

Designed for commercial and industrial applications, providing cooler operating temperatures, brighter light and longer LED life. Apertures for field or factory installed photocontrol. Available with heavy duty trunion or slipfitter.

Extra Wide Distribution Pattern:

Designed to provide maximum light spread for short set backs when lighting signs and washing walls.

Thermal Management:

Atlas Extra-Wide Flood Lights are designed as a complete system to optimize LED life and light output. The Patent Pending thermal stacking heat removal technology extracts heat from within the housing moving it away from LEDs and components. The lower temperatures result in long LED life (200,000+ hrs) and component life and also allows for higher light output.

Listings:

Luminaire is certified to UL/cUL Standards for Wet Locations
Lighting Facts Certified
DesignLights Consortium Premium qualified luminaire, eligible for rebates from DLC member utilities. DLC Product ID: PAIZLPOE

AC Input:

120/208/240/277 V

Driver:

Constant current, Class 2, 120-277 VAC, 50-60 Hz
High Efficiency – min. 88%
Off-State Power: 0 Watts
0-10 V Dimming

LEDs:

3000K CCT
Epoxy Guard™ protective conformal coated boards

Atlas LEDs provide higher lumen output, greater energy efficiency and more reliable fixture performance.

Reduced Glare:

Positioning of the LED modules within the housing result in light directed to desired locations and reduces offensive light.

Testing:

Atlas LED luminaires have been tested by an independent laboratory in accordance with IESNA LM-79 & LM-80, and have received the Department of Energy "Lighting Facts" label.

Warranty:

Five-year limited warranty

Options:

Photo Control - For factory installed 120V button photo control add suffix PC to part number.
480 Volt - For 480V add suffix 4 to part number.

Alpha Series LED

PROFESSIONAL GRADE



PFLXW102LED3K Design is Protected by US Patent D740,997

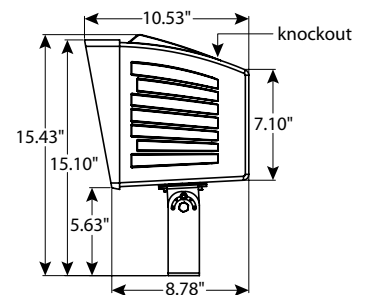
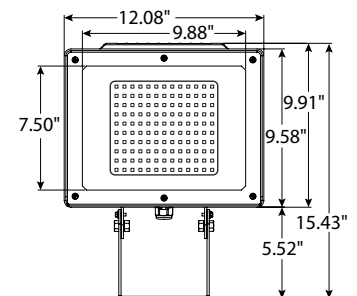


Optional Factory Installed Slipfitter PFLXW102LED3KS

DIMENSIONS:

Weight: (with Trunion) 20 lbs.
(with Slipfitter) 21 lbs.

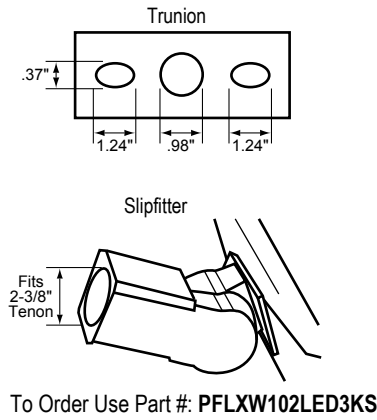
EPA: 1.00



¹LED Life Span Based Upon LM-80 Test Results

Rebates and Incentives are available in many areas. Contact an Atlas Representative for more information.

MOUNTING DETAIL



ENERGY SAVINGS

LED		HID			ANNUAL SAVINGS
WATTAGE	ANNUAL COST	SOURCE WATTAGE	TOTAL WATTAGE USED	ANNUAL COST	
102	\$45	200	232	\$128	\$83
102	\$45	250	285	\$150	\$105
102	\$45	400	458	\$226	\$181

Atlas Lighting Products, Inc

LED
lighting facts®

A Program of the U.S. DOE

Light Output (Lumens)	13390
Watts	100.6
Lumens per Watt (Efficacy)	133.1

Color Accuracy Color Rendering Index (CRI)	81
--	-----------

Light Color Correlated Color Temperature (CCT)	3096 (Bright White)
--	----------------------------

2700K 3000K 4500K 6500K

All results are according to IESNA LM-79-2008: *Approved Method for the Electrical and Photometric Testing of Solid-State Lighting*. The U.S. Department of Energy (DOE) verifies product test data and results.

Visit www.lightingfacts.com for the *Label Reference Guide*.

Registration Number: PRB4-2EFECZ (9/29/2017)
Model Number: PFLXW102LED3K
Type: Luminaire - Area/Roadway