



# Canopy Light

**CPM40LEDEB** 40 Watt LED Low Profile Canopy Light with Emergency Battery Back Up



### SPECIFICATIONS:

**Lumens:** 5399  
**Watts:** 45.77  
**Lumens/Watt:** 117.97  
**CRI:** 82.6  
**CCT:** 4415K  
**Lifespan:** 200,000+ hrs.<sup>1</sup>

### Construction:

Designed for commercial and industrial applications, providing cooler operating temperatures, brighter light and longer LED life. Apertures for continuous wiring. Housing is hinged for quick and easy mounting and entrance.

### Zero Glare:

Using the latest high brightness, high LED count technology, more usable light output is produced while eliminating glare. The high transmission lens, with 91% efficiency, is high impact, scratch resistant and protects the LEDs. At the same time, it delivers improved visual comfort by eliminating any glare and providing a wider smoother and more uniform light output.

### Thermal Management:

The Atlas Low Profile Canopy Light is designed as a complete system to optimize LED life and light output. The Patent Pending thermal stacking heat removal technology extracts heat from within the housing moving it away from LEDs and components. The lower temperatures result in long LED life (200,000+ hrs) and component life and also allows for higher light output.

### Listings:

Luminaire is certified to UL/cUL Standards for Damp Locations  
Lighting Facts Certified  
DesignLights Consortium Premium qualified luminaire, eligible for rebates from DLC member utilities. DLC Product ID: PRV5ZRAX

### AC Input:

120/208/240/277 V

### Driver:

Constant current, Class 2 120-277 VAC, 47-63Hz  
High Efficiency – min. 85%  
Off-State Power: 0 Watts  
Dimming 0-10V

### LEDs:

4500K CCT

Epoxy Guard™ protective conformal coated boards

Atlas LEDs provide higher lumen output, greater energy efficiency and more reliable fixture performance. They are tested and binned at 700mA which is the actual operating current used in Atlas LED luminaires, giving a better representation of actual performance.

### Temperatures:

Min Start: -35°C Max: 50°C

### Warranty:

Five-year limited warranty

### Testing:

Atlas LED luminaires have been tested by an independent laboratory in accordance with IESNA LM-79 & LM-80, and have received the Department of Energy "Lighting Facts" label.

### Emergency Battery Back Up:

Provides emergency illumination (1,580 lumens) for a minimum of 90 minutes.

### Project Information

Job Name

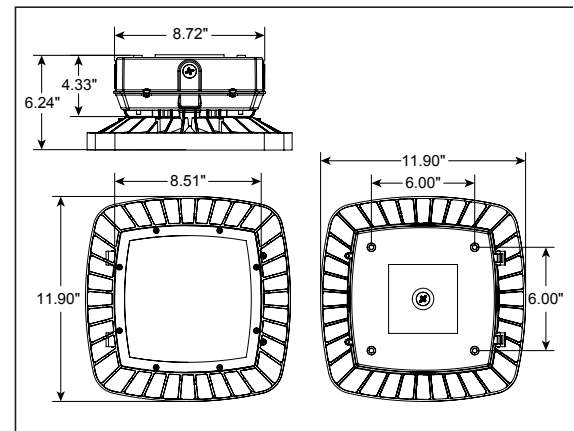
Fixture Type 40 Watt LED Low Profile Canopy Light

Catalog Number CPM40LEDEB

Approved by



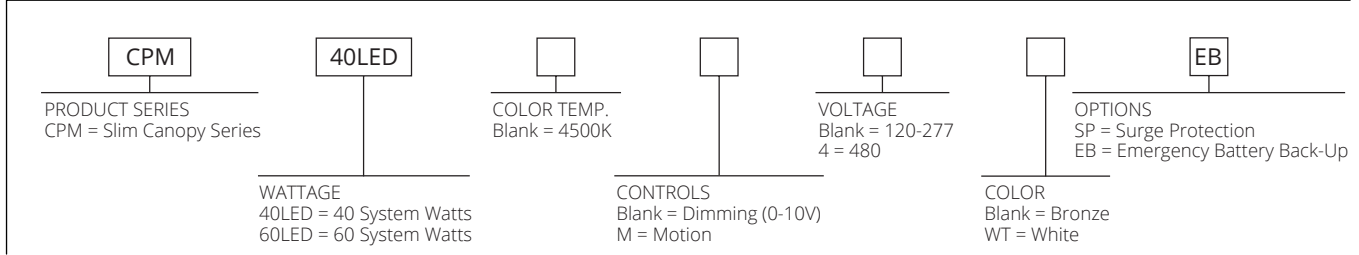
### DIMENSIONS:



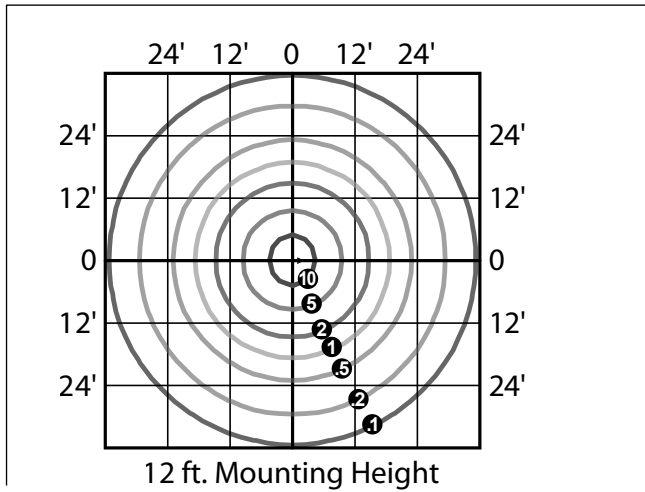
**Rebates and Incentives are available in many areas. Contact an Atlas Representative for more information.**

<sup>1</sup>LED Life Span Based Upon LM-80 Test Results

## ORDERING FORMAT



## PHOTOMETRIC



## ENERGY SAVINGS

LED		HID			ANNUAL SAVINGS
WATTAGE	ANNUAL COST	SOURCE WATTAGE	TOTAL WATTAGE USED	ANNUAL COST	
40	\$18	100	129	\$77	\$59
40	\$18	175	210	\$112	\$94

Atlas Lighting Products, Inc.

## lighting facts®

A Program of the U.S. DOE

---

<b>Light Output (Lumens)</b>	<b>5399</b>
<b>Watts</b>	<b>45.77</b>
<b>Lumens per Watt (Efficacy)</b>	<b>117.96</b>

---

<b>Color Accuracy</b>	<b>82</b>
Color Rendering Index (CRI)	

---

<b>Light Color</b>	<b>4415 (Bright White)</b>
Correlated Color Temperature (CCT)	

Warm White	Bright White	Daylight	
2700K	3000K	4500K	6500K

All results are according to IESNA LM-79-2008: *Approved Method for the Electrical and Photometric Testing of Solid-State Lighting*. The U.S. Department of Energy (DOE) verifies product test data and results.

Visit [www.lightingfacts.com](http://www.lightingfacts.com) for the *Label Reference Guide*.

Registration Number: PRB4-P5BRMW (7/28/2017)  
Model Number: CPM40LEDEB  
Type: Luminaire - Canopy

## MOUNTING DETAIL

