

FEATURES & SPECIFICATIONS

INTENDED USE

Recessed housing rated IC/Non-IC.
Approved for all ceiling and wiring types.
Approved for direct burial in insulation.

CONSTRUCTION

Air-tight standard.
Aluminum housing.
Galvanized steel junction box with four built in romex clamps; five ½" and two ¾" knockouts with slots for pryout. Rated for through branch wiring.
Maximum 4 (2in 2out) No 12 AWG conductors. Rated for 90° C.
Ground wire provided.
Removable J-box doors for easy access.

Trim retention is achieved by utilizing two side-mounted torsion springs on the trim and two receiving brackets in the can, ensuring a consistently tight fit with the ceiling.

ELECTRICAL SYSTEM

Durable medium base porcelain socket with nickel plated copper alloy screw shell and contact.
Socket clips to top of housing to prevent paint overspray in socket screw shell.
Socket attaches to reflector to ensure proper and consistent lamp position.
Thermal protection provided against improper lamp usage.

120 volt only.

INSTALLATION

2 x 8 wood joist or T-bar installation.
Vertical adjustment of housing allows for flush mounting with ceiling face.

LISTING

U.L. listed to US and Canadian safety standards (see Options). Damp location listing (See trim selection for wet location listing).

WARRANTY

Fixtures are covered by Lithonia Lighting 24-month warranty against mechanical defects in manufacture.

Catalog Number
Notes
Type

Contractor Select Incandescent

6" Housings

IC/Non IC
New Construction
Remodel

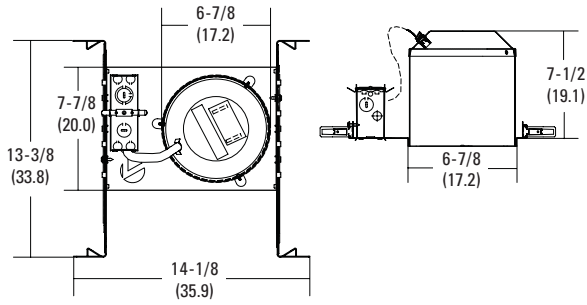


ORDERING INFORMATION

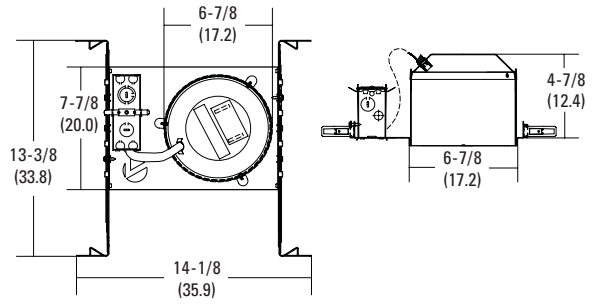
Must be ordered in standard carton quantity multiples.

Catalog Number	UPC	Description	Pallet Qty.	Standard Carton Qty.
L7X R6	784231091906	6" new construction IC/non-IC rated	120	6
L7X PHC R6	784231097533	6" new construction IC/non-IC rated with poke-home wire connectors	120	6
L7XR R6	745973789704	6" remodel IC/non-IC rated	144	6
L7XP R6	784231104170	6" shallow, new construction IC/non-IC rated	144	6
L7XPR R6	745973344965	6" shallow, remodel IC/non-IC rated	96	6

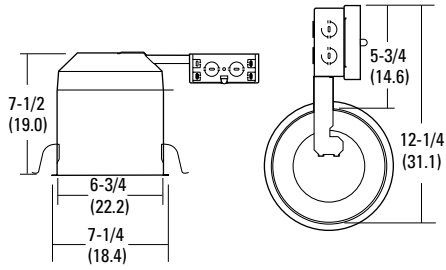
6" Housings



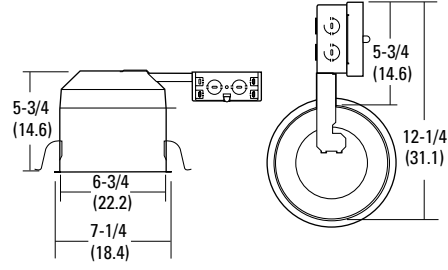
L7X - 6" New Construction



L7XP - 6" Shallow, New Construction



L7XR - 6" Remodel



L7XPR - 6" Shallow, Remodel

Dimensions are inches (centimeters).