



CATALOG NUMBER: 500-082BZ	
JOB NAME:	
CUSTOMER NAME:	
NOTES:	TYPE:
	DATE:

FEATURES AND SPECIFICATIONS

FLOOD LIGHTING
ACCESSORIES
MOUNTING

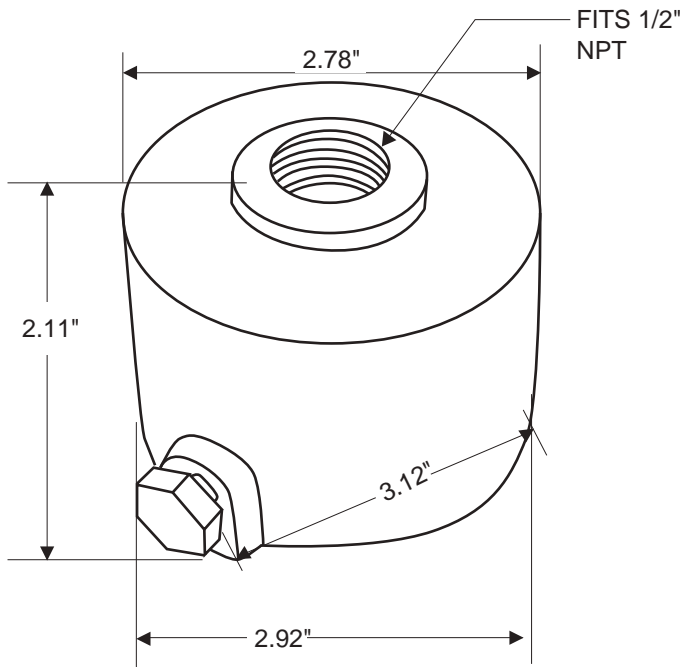
Construction:
 Die Cast

Mounting:
 Post Top

Specifications:
 Overall height: 2.11" (5.36 cm)
 Width: 2.92" (7.42 cm)
 Weight: 1.2 lbs. / 0.54 kg.



DIMENSIONS



ORDERING INFORMATION

Catalog #	Description	Finish	I.D. (in.)	Wt./Lbs.
500-082BZ	Adjustable Post Top Fitter	Bronze	2.5	1.2

Actual performance can vary depending on operating conditions. Specifications are subject to change without notice.

ATLAS LIGHTING PRODUCTS, INC.

PO BOX 2348 | BURLINGTON, NC 27216
 800-849-8485 | FAX: 336-227-0110 | www.atlaslightingproducts.com