



CATALOG NUMBER: 320-035BZ	
JOB NAME:	
CUSTOMER NAME:	
NOTES:	TYPE:
	DATE:

**FEATURES AND SPECIFICATIONS**

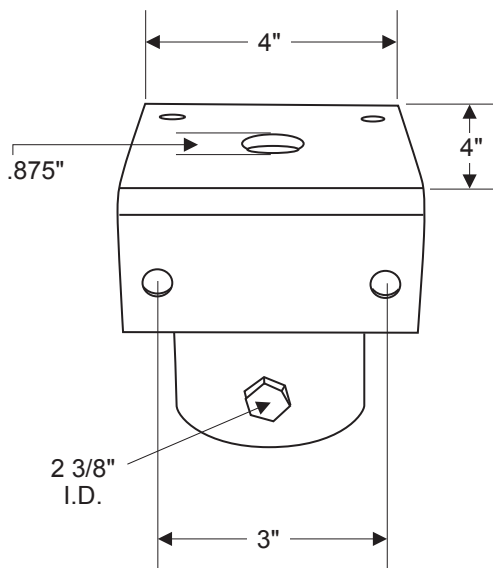
**FLOOD LIGHTING**  
**ACCESSORIES**  
**MOUNTING**

**Construction:**  
 Die Cast

**Mounting:**  
 For FLDX



**DIMENSIONS**



**ORDERING INFORMATION**

Catalog #	Description	Finish	I.D. (in.)	Std. Pkg.
320-035BZ	Slipfitter for FLDX	Bronze	2 3/8	1

Actual performance can vary depending on operating conditions. Specifications are subject to change without notice.