



CATALOG NUMBER: 210-007	
JOB NAME:	
CUSTOMER NAME:	
NOTES:	TYPE:
	DATE:

FEATURES AND SPECIFICATIONS

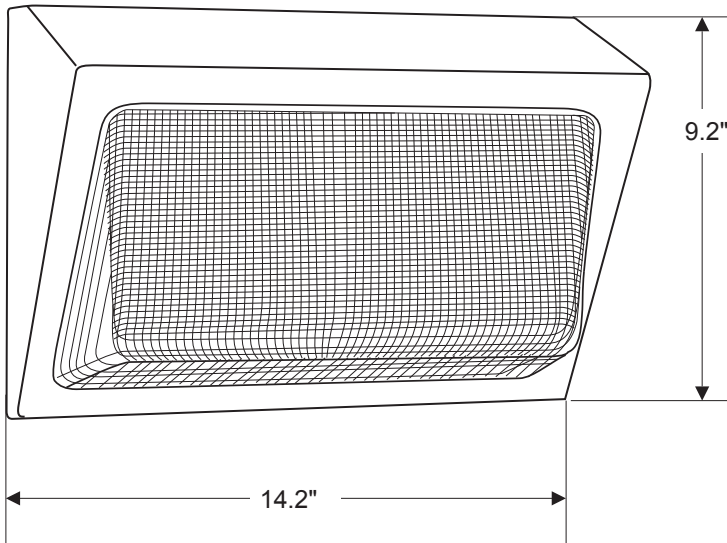
WALL LIGHTING
ACCESSORIES
FACE FRAME ASSEMBLY

Construction:
Die Cast Aluminum Housing
Threaded Apertures for Conduit & Photo Control

Specifications:
Overall height: 9.02" (22.91 cm)
Width: 14.2" (36.06 cm)



DIMENSIONS



ORDERING INFORMATION

Catalog #	Description	Finish	Std. Pkg.
210-007	WLM Face Frame Assembly	Bronze	1

Actual performance can vary depending on operating conditions. Specifications are subject to change without notice.