

Non-metallic Arktite® Heavy Duty Circuit Breaking Plugs and Receptacles

Watertight
Corrosion-Resistant
NEMA 4X

1P

Made of Krydon® Material, 600 VAC/250 VDC, 50–400 hertz

Applications:

Arktite circuit breaking plugs, receptacles, cord connectors and motor plugs are used:

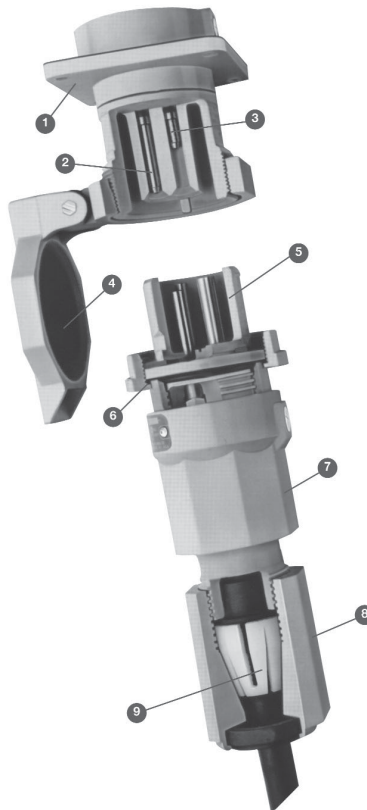
- To supply power to portable electrical devices such as welders, motors, pumps, conveyors and other similar equipment
- Where electrical loads must be quickly disconnected from power sources
- In areas where severe corrosion hose down, moisture, dirt and dust are problems
- Indoors and outdoors in non-hazardous areas of chemical plants, sewage treatment facilities, cement plants, pulp and paper plants, food processing plants and other similar industries

Features:

- Plugs, receptacles, cord connectors, and motor plugs are molded of *Krydon* fiberglass-reinforced polyester material which is highly resistant to corrosion, heat, weathering and physical abuse
- ① Molded of *Krydon* fiberglass-reinforced non-metallic material which is highly resistant to corrosion, heat, weathering, and physical abuse
- ② Grounding contacts that make-first and break-last in the unlikely event of a keyway failure
- ③ Split-pin contact design provides 360° of electrical contact
- ④ Spring door provides environmental protection of receptacle (NEMA 4)
- ⑤ Keyed for a perfect match in the molded one-piece insulator housing
- ⑥ Sealing gaskets at all critical points inside Arktite plugs and receptacles protect against dust, dirt, mud, water, and corrosive contaminants
- ⑦ Plugs can be used in both hazardous and non-hazardous areas when used with appropriately rated Arktite receptacles
- ⑧ Total interchangeability with all existing Arktite products for comparable ratings and configurations
- ⑨ A unique patented strain relief design prevents stress from reaching wire terminations at the contacts

Certifications and Compliances:

- UL Standard: 1682
- UL 1010 hazardous locations (NPJ plug only)
- Wet and damp locations, watertight
- CSA Standard C22.2 No. 182.1



Grounding:

- NPJ plugs are Style 2, which includes a grounding conductor in the flexible cord or cable that is electrically connected to the extra (grounding) pole.
- NR receptacles are Style 2, in which the ground connection is made before line and load poles engage, and is broken after line and load poles disengage.
- The National Electrical Code® and Canadian Electrical Code requires that under conditions favorable to corrosion, the grounding conductor for enclosures and equipment be of copper or other corrosion-resistant material in alternating current systems. This necessitates running another conductor, usually of copper, back to the common grounding electrode. This may be run through the conduit containing the circuit conductors. At the receptacle, this grounding conductor should be connected to the extra (grounding) pole by the pressure connector provided for that purpose. Where such an extra ground conductor is required, Style 2 receptacles should be used.

Interchangeability of Plugs With Other Non-hazardous and Hazardous Location Receptacles:

- Plugs listed for use with NRE/NREA assemblies are standard NPJ *Arktite* plugs. Other standard APJ and CPH plugs of the same rating, style and number of poles may be used with NR receptacles, as well as with AR and AREA, receptacles listed in Section 1P, with DR receptacles listed in Section 2P, with DBR, NBR, NSR, WSR, CSR, WSQC, and WSRD receptacles listed in Section 3P and with FSQ, EPC, FSQC, W2SR, C2SR and EPCB receptacles listed in Section 4P.
- Portable equipment, suitable for locations and equipped with the proper NPJ plug, can be used with non-hazardous AR receptacles; with DBR and WSR interlocked receptacles located in non-hazardous locations; with EPC, EPCB and FSQC receptacles for Class I, Groups B, C, D hazardous locations; with DR and DBR receptacles for Class II, Groups F, G hazardous locations; and with NBR/NSR, CSR interlocked receptacles for hose down and corrosive locations.

Standard Materials:

- Housing, interiors, spring doors, clamping rings – *Krydon* fiberglass-reinforced polyester material
- Gaskets and o-rings – neoprene
- Cable clamping basket – nylon
- Contacts – pressure – brass; crimp/solder – leaded brass
- Snap-on cap – molded elastomer
- Back boxes – copper-free aluminum

Standard Finishes:

- *Krydon* material – natural (gray)
- Neoprene – natural
- Elastomer – natural
- Brass – natural
- Leaded red brass – electro-tin-plated
- Aluminum – natural
- Stainless steel – natural

Options:

| Description | Suffix |
|---|------------------------|
| • Alternate polarization (4-pole plugs and receptacles only) – receptacle interior rotated 22½° to right and plug changed to match..... | S4 |
| • Crimp/solder terminals..... | T |
| • <i>Corro-free</i> ™ epoxy powder coat on back boxes and angle adapters..... | Information on request |

§Wet and damp locations when used with spring door or snap-on cap, watertight when used with QE threaded cap.

Crouse-Hinds
by **E.T.N**

www.crouse-hinds.com US: 1-866-764-5454 CAN: 1-800-265-0502 Copyright© 2013 Eaton's Crouse-Hinds Business

1329

1P

1P Non-metallic Arktite® Heavy Duty Circuit Breaking Plugs and Receptacles

Watertight§
Corrosion-Resistant
NEMA 4X

Made of Krydon® Material, 30 A, 60 A and 100 A
600 VAC/250 VDC, 50 ■ – 400 hertz

Ordering Information:



| Amps | Description | Hub Size (In.) | Receptacle | | Cord Dia. | Plug Cat. # | Cord Connector Cat. # | Motor Plug Cat. # |
|------|----------------|----------------|---------------------|----------------------------------|-----------|-------------|-----------------------|-------------------|
| | | | Receptacle Assembly | Snap-on Cap/ Spring Door Cat. #† | | | | |
| 30 | 2-wire, 3-pole | 3/4 | NRE3322 | NR332 | 0.55–0.70 | NPJ3383 | NPR3363 | NPQ338 |
| | | 1 | NRE3323 | | 0.70–0.85 | NPJ3384 | NPR3364 | |
| | 3-wire, 4-pole | 3/4 | NRE3422 | NR342 | 0.55–0.70 | NPJ3483 | NPR3463 | NPQ348 |
| 60 | | 1 | NRE3423 | | 0.70–0.85 | NPJ3484 | NPR3464 | |
| | 2-wire, 3-pole | 1 1/4 | NRE6323 | NR632 | 0.75–1.07 | NPJ6384 | NPR6364 | NPQ638 |
| | | 1 1/4 | NRE6324 | | 1.07–1.35 | NPJ6385 | NPR6365 | |
| | 3-wire, 4-pole | 1 1/4 | NRE6424 | NR642 | 0.75–1.07 | NPJ6484 | NPR6464 | NPQ648 |
| 100 | | 1 1/2 | NRE6425 | | 1.07–1.35 | NPJ6485 | NPR6465 | |
| | 2-wire, 3-pole | 1 1/4 | NREA10324‡ | NR1032 | 0.93–1.21 | NPJ10386 | NPR10366 | NPQ1038 |
| | | 1 1/2 | NREA10325‡ | | 1.21–1.50 | NPJ10387 | NPR10367 | |
| | 3-wire, 4-pole | 1 1/2 | NREA10425‡ | NR1042 | 0.93–1.21 | NPJ10486 | NPR10466 | NPQ1048 |
| | | 2 | NREA10426‡ | | 1.21–1.50 | NPJ10487 | NPR10467 | |

■ For use on systems less than 60 hertz the receptacles, plugs and connectors are for disconnect use only.
§Wet and damp locations when used with spring door or snap-on cap, watertight when used with QE threaded cap.
†Krydon Arktite Receptacles are supplied with both a spring door and snap-on cap.
‡AJ back boxes are square, making it possible to install with hub in several positions.

1P

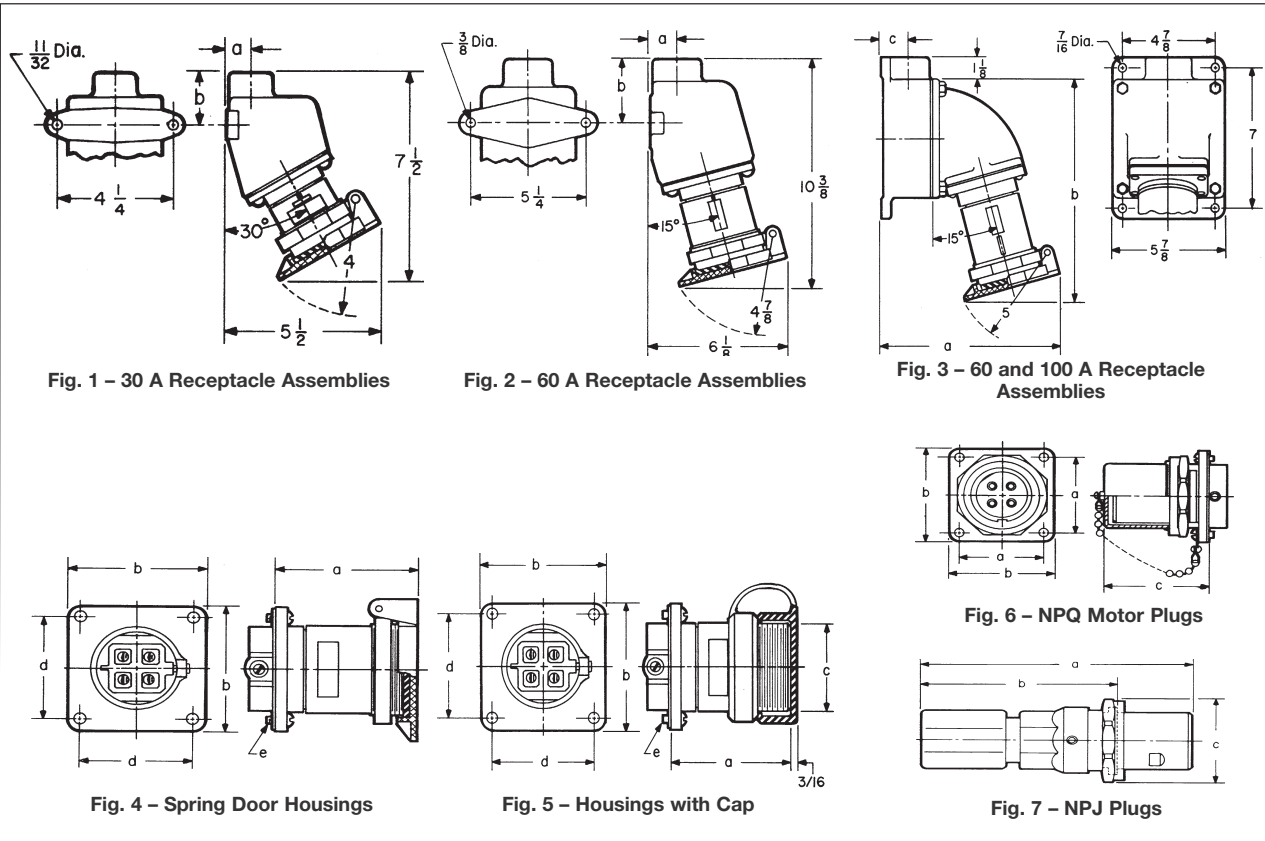
Non-metallic Arktite® Heavy Duty Circuit Breaking Plugs and Receptacles

Dimensions

1P

Made of Krydon® Material, 30 A, 60 A and 100 A
600 VAC/250 VDC, 50 – 400 hertz

Dimensions In Inches:



NRE 30 and 60 A Assemblies - Fig. 1 and 2

| Hub Size | Dimension a | | Dimension b | |
|----------|-------------|-------|-------------|---------------------------------|
| | 30 A | 60 A | 30 A | 60 A |
| 3/4 | 13/16 | | 17/8 | |
| 1 | 15/16 | 15/16 | 2 | 2 ⁹ / ₁₆ |
| 1 1/4 | | 13/16 | | 2 ⁵ / ₈ |
| 1 1/2 | | 15/16 | | 2 ¹¹ / ₁₆ |

NREA 60 and 100 A Assemblies - Fig. 3

| Dim. | 60 A Hub Size | | 100 A Hub Size | |
|------|---------------------------------|--------------------------------|--------------------------------|---|
| | 1, 1 1/4, 1 1/2 | 1 1/4, 1 1/2 | 2 | 2 |
| a | 9 | 9 1/4 | 9 13/16 | |
| b | 11 | 12 | 12 | |
| c | 1 ¹⁵ / ₁₆ | 1 ⁹ / ₁₆ | 1 ⁹ / ₁₆ | |

Housings - Fig. 4 and 5

| Amps | No. Poles | Housing | a | b | c | d | e |
|------|-----------|-------------|---------------------------------|-------------------------------|---------------------------------|-------------------------------|---------|
| 30 | 3 or 4 | Spring Door | 3/4 | 3 ³ / ₈ | — | 2 ³ / ₄ | 12-24 |
| | 3 or 4 | Open | 2 ¹⁹ / ₁₆ | 3 ³ / ₈ | 2 ⁹ / ₁₆ | 2 ³ / ₄ | 12-24 |
| 60 | 3 | Spring Door | 4 1/2 | 4 1/4 | — | 3 1/2 | 5/16-18 |
| | 4 | Spring Door | 4 1/2 | 4 1/4 | — | 3 1/2 | 5/16-18 |
| | 3 | Open | 4 1/16 | 4 1/4 | 2 ¹⁵ / ₁₆ | 3 1/2 | 5/16-18 |
| | 4 | Open | 4 1/16 | 4 1/4 | 3 1/4 | 3 1/2 | 5/16-18 |
| 100 | 3 | Spring Door | 5 3/4 | 4 1/4 | — | 3 1/2 | 5/16-18 |
| | 4 | Spring Door | 5 3/4 | 4 1/4 | — | 3 1/2 | 5/16-18 |
| | 3 | Open | 5 5/16 | 4 1/4 | 3 ³ / ₁₆ | 3 1/2 | 5/16-18 |
| | 4 | Open | 5 5/16 | 4 1/4 | 3 ⁷ / ₁₆ | 3 1/2 | 5/16-18 |

■ For use on systems less than 60 hertz the receptacles, plugs and disconnectors are for disconnect use only.

NPQ Motor Plugs - Fig. 6

| Amps/Poles | a | b | c |
|--------------|-------------------------------|-------------------------------|---------------------------------|
| 30 / 3 or 4 | 2 ³ / ₄ | 3 ³ / ₈ | 2 ¹⁵ / ₁₆ |
| 60 / 3 or 4 | 3 1/2 | 4 1/4 | 4 ⁴ / ₁₆ |
| 100 / 3 or 4 | 3 1/2 | 4 1/4 | 5 ⁷ / ₁₆ |

NPJ Plugs - Fig. 7

| Amps/Poles | a | b | c |
|-------------|--------|---------------------------------|--------------------------------|
| 30 / 3 or 4 | 8 1/2 | 7 | 3 ³ / ₁₆ |
| 60 / 3 | 9 1/2 | 6 ¹³ / ₁₆ | 3 ³ / ₈ |
| 60 / 4 | 9 1/2 | 6 ¹³ / ₁₆ | 4 |
| 100 / 3 | 11 1/4 | 7 ³ / ₄ | 4 |
| 100 / 4 | 11 1/4 | 7 ³ / ₄ | 4 1/4 |

NPR Cord Connectors - Fig. 8

| Amps/Poles | a | b | c |
|-------------|-------------------------------|---------------------------------|---------------------------------|
| 30 / 3 or 4 | 8 ⁷ / ₈ | 2 ⁹ / ₁₆ | 2 ⁵ / ₈ |
| 60 / 3 | 9 1/4 | 2 ¹⁹ / ₁₆ | 2 ¹⁹ / ₁₆ |
| 60 / 4 | 9 1/4 | 3 1/4 | 2 ¹⁹ / ₁₆ |
| 100 / 3 | 11 1/2 | 3 ³ / ₁₆ | 3 ⁵ / ₁₆ |
| 100 / 4 | 11 1/2 | 3 ⁷ / ₁₆ | 3 ⁵ / ₁₆ |

1P