

Hubbell SystemOne 4 Inch Core, Three-Piece Units

Description	Catalog Number without Junction Box	Catalog Number with Junction Box*
<p>4X4 Through Floor Fitting</p> <p>Through floor fitting with two ¾ in. EMT for communications and one ¾ in. EMT for power. For use with Hubbell SystemOne universal covers and S1SP4X4 and S1SPTL series sub-plates only. Universal cover and sub-plate ordered separately. 4-hour fire classification.</p>	S1PT4X4FIT	S1PT4X4FITJ
<p>Dual Channel Through Floor Fitting</p> <p>Through floor fitting with two 1 in. EMT conduit stems to feed power and/or communication services. For use with Hubbell SystemOne universal covers and all Hubbell sub-plates except S1SP4X4 and S1SPTL series. Universal cover and sub-plate ordered separately. 4-hour fire classification.</p>	S1PTFIT	S1PTFITJ
<p>AV Through Floor Fitting</p> <p>Through floor fitting with one ¾ in. EMT conduit stem for power and one 1½ in. EMT conduit stem for communication services. Ideal for demanding, high capacity audio/video and data requirements. For use with Hubbell SystemOne universal covers and all Hubbell sub-plates except S1SP4X4 and S1SPTL series. Universal cover and sub-plate ordered separately. 4-hour fire classification.</p>	S1PTAVFIT	S1PTAVFITJ



Note: *Junction box factory installed on through floor fitting. See pages P-28 and P-29 for technical information.

Hubbell SystemOne Universal Cover

- Cast aluminum construction
- Durable powder coat finish



Color	Carpet	Tile
Aluminum Finish	S1CFCAL	S1TFCAL
Brass Finish	S1CFCBRS	S1TFCBRS
Black	S1CFCBL	S1TFCBL
Gray	S1CFCGY	S1TFCGY
Ivory	S1CFCI	S1TFCI



Aluminum Finish Brass Finish Black Gray Ivory

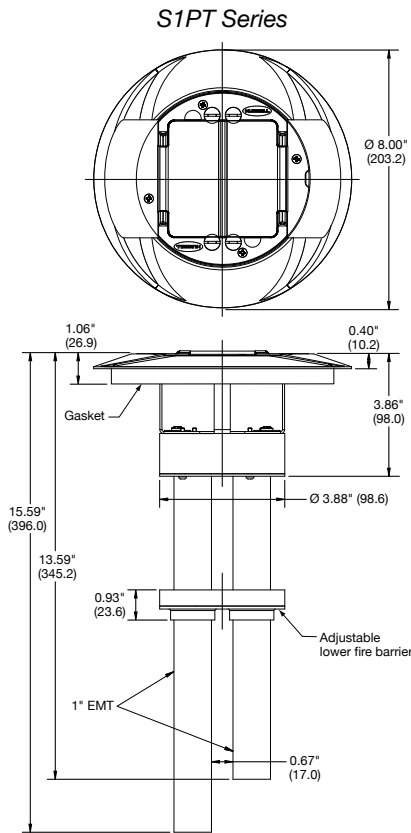
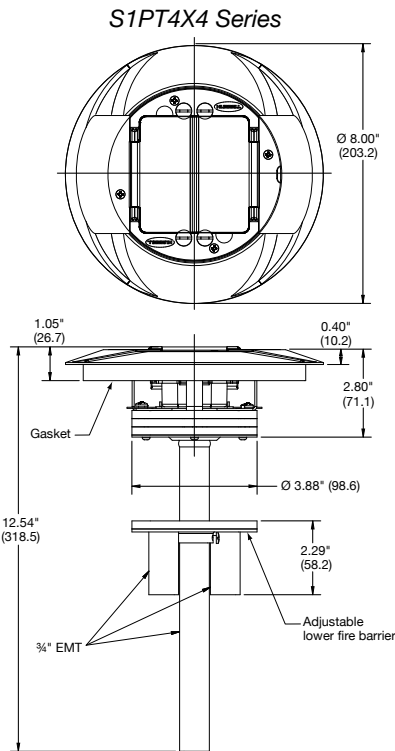
Poke Through Accessories

Description	Catalog Number
<p>Abandonment Plates</p> <p>Used to cover abandoned SystemOne Fire-Rated Poke-Throughs or Floor Boxes.</p>	<p>Black S1AP4BL</p> <p>Gray S1AP4GY</p>
<p>Fire-Rated Closure Plug</p> <p>Used to seal a 4 Inch core hole when the FRPT is no longer required and the through-floor fitting is removed. Maintains the floor's 1-4 hour fire rating.</p>	<p>Black S1FRP4BL</p> <p>Gray S1FRP4GY</p>
<p>Power Junction Box</p> <p>For use with SystemOne Fire-Rated Poke-Throughs. Provides 27.0 cubic inches. (1) ¾ and (1) 1" EMT connector supplied.</p> <p>Trade size knockouts: Top (1) 1 inch Bottom (1) ¾ inch Sides (2) ½ inch (1) ¾ inch</p>	S1FRPTJB

Fire-Rated Poke-Throughs for Concrete Floors

Hubbell SystemOne Flush Systems Configuration Chart

Approved for use in the City of Chicago. (except S1PFB)			Floor Boxes*				4" Core Hole Fire-Rated Poke-Throughs		
			Non-Metallic	Metal					
Sub-Plates									
S1SP	Style Line® Decorator/GFCI		3	3.5	3.5	3.5	✓+	✗	✓
S1SPDU	Duplex/Duplex		3	3.5	3.5	3.5	✓+	✗	✓
S1SPDU5L	Duplex/Style Line® Decorator		3	3.5	3.5	3.5	✓+	✗	✓
S1SP4X4 S1SP4X4PA S1SP4X4SYS	Hubbell 4 X 4 Panduit Mini-Com® 4 X 4 SYSTIMAX® 4 X 4		4	4	4	4	✗	✓+	✗
S1SPTL	Twist-Lock® Receptacle + Data		4	4	4	4	✗	✓+	✗
S1SP3IM	Hubbell DataCom + Power		5	5	5	5	✓	✗	✓+
S1SP4IM	Hubbell DataCom		3.5	3.5	3.5	3.5	✓	✗	✓+
S1SPDU2IM	Hubbell DataCom + Duplex		5	5	5	5	✓	✗	✓+
S1SPSL2IM	Hubbell DataCom + Style Line® Decorator		5	5	5	5	✓	✗	✓+
S1SPFFxx (Carpet) S1SPFFTxx (Tile)	Furniture Feed Cover/Flange (Replace "x" with BRS (brass finish), AL (aluminum finish), BL (black) or GY (gray).		3	3.5	3.5	3.5	✓	✗	✓+
S1SPEXT1	Extron® or FSR + Power		4	4	4	4	✓	✗	✓+
S1SPEXT2	Extron® or FSR + Power		4	4	4	4	✓	✗	✓+
S1SPEXT3	Extron® or FSR Single-Service		4.5	4.5	4.5	4.5	✓	✗	✓+
S1SPEXT4	Extron® or FSR + Power		4	4	4	4	✓	✗	✓+
S1SPORT	Ortronics Series II® + Power		5	5	5	5	✓	✗	✓+
S1SPTRAC	Ortronics TracJack® + Power		5	5	5	5	✓	✗	✓+
S1SPMAX	Siemon MAX® + Power		5	5	5	5	✓	✗	✓+
S1SPAMM20	Active Multimedia + Flush Keystone + Power		5	5	5	5	✓	✗	✓+
S1FCxx SystemOne Carpet Cover S1TFCxx SystemOne Tile Cover	SystemOne Floor Boxes and FRPTs use SystemOne Universal Covers (Replace "x" with BRS (brass finish), AL (aluminum finish), BL (black), GY (gray) or I (ivory).	 		Signifies minimum depth of concrete pour in inches for Hubbell SystemOne Floor Boxes.			✓+ Recommended Floor Fitting	✓ Alternative Floor Fitting	✗ Not Compatible
<p>Note: *See section O for additional information on Floor Boxes.</p> <p>Extron® is a registered trademark of Extron Electronics. MAX® is a registered trademark of The Siemon Company. Mini-Com® and Panduit® are registered trademarks of Panduit Corp. SYSTIMAX® is a registered trademark of CommScope, Inc. TracJack®, Series II® and Ortronics® are registered trademarks of Ortronics/Legrand.</p>									



Product Information

- Powder coat cast aluminum cover and flange (color finish options: aluminum, brass, black, gray and ivory).
- Hubbell SystemOne universal cover meets ADA standards for accessible design, section 4.3.8, "changes in level."
- S1SP4X4 sub-plate supplied with pre-wired, molded, four position 20A, 125V, black receptacle, NEMA 5-20R.
- S1SP4X4 wired with six thermally protected #14 AWG THHN stranded copper conductors, receptacle can be wired as dual-circuit and isolated ground.
- S1SP4X4 accepts four (4) Hubbell HXJ6, HXJ5E, HXJU; category 6A, 6, 5e, and USOC, and flush series jacks.
- S1SP sub-plate accepts two (2) 15A or 20A Style Line[®] decorator receptacles, Style Line[®] data frames, and/or one (1) GFCI or surge receptacle.

Application Data

- Mounted in 4 in. (101.6) cored concrete diameter through hole.
- Minimum floor thickness: 2 1/4 in. (57.2).
- UL Listed for fire resistance in 1 – 4 hour rated D900 series floors.
- Approved for use in the City of Chicago.

Wire Size (AWG)	Copper Cross Sectional Area for Solid or Stranded Conductors
#24	.00032 sq. in. (.206mm ²)
#23	.00040 sq. in. (.258mm ²)
#22	.00050 sq. in. (.322mm ²)
#14	.00323 sq. in. (2.083mm ²)
#12	.00512 sq. in. (3.303mm ²)
#10	.00815 sq. in. (5.258mm ²)
# 8	.01296 sq. in. (8.361mm ²)

UL Listed Wiring Capacity

	S1PT4X4 Series	S1PT Series
Fire Resistance Rating	4-Hrs. (D900)	4-Hrs. (D900)
Max. Copper Cross Section	3/4 in. Power EMT .0307 sq. in.	1 in. Power EMT .0307 sq. in.
	3/4 in. Low Voltage EMT .016 sq. in.	1 in. Low Voltage EMT .024 sq. in.

UL Characteristics

Listing	UL File Number	ULC File Number
Outlet Box	E31999	CEYYC
Fire Resistance	R8429	R8429

For use in 1, 1 1/2 or 2 hour rated unprotected reinforced floors or in 1 or 2 hour rated floors employing steel floor units and concrete topping (D900 Series designs).
UL Spacing Restrictions - Minimum of 2 ft. on center and not more than one unit per each 65 square feet of floor area in each span.

Note: The above product data pertains to both one-piece units, three-piece units and through-floor fittings.
When connection conduit sweeps to through-floor fittings, ensure compliance with NEC fill tables.

Dimensions in Inches (mm)