



4 Inch Core Through Floor Fittings

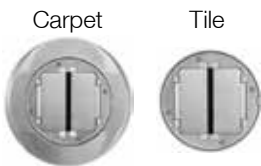


- Step down installation clips allow the fitting to be installed or removed from the floor above
- Fire barrier expands during fire conditions to maintain the floor's fire rating
- Adjustable lower fire barrier accommodates concrete floor thicknesses from 2¼ to 7 in.
- Oversized EMT conduit tubes for increased cable capacity

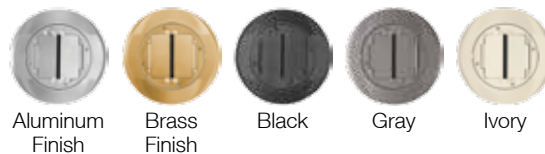
Features

- Accepts all Hubbell SystemOne covers and sub-plates
- Excellent solution for retrofit and new construction
- Delivers power, voice, data and multimedia
- UL listed for use in 1 – 4 hour fire rated floors at 100% rated fill
- Available with integral power junction box
- SystemOne Fire-Rated Poke-Throughs are approved for use in the City of Chicago
- UL installation spacing - minimum 2 feet on center, not more than one per 65 square feet of floor area in each span

Universal Flange and Cover Assembly



- Hinged doors open 180 degrees flush to the carpet flange or tile
- Locking studs allow each door to be secured independently
- The universal carpet or tile flange can be used for Hubbell SystemOne Fire-Rated Poke-Throughs and Floor Boxes
- Finishes and colors available:

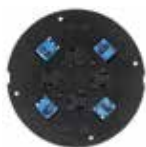


Features

- Durable cast aluminum construction available in black, gray, brass, aluminum and ivory powder coat finishes
- Features ScrubShield[®] technology that exceeds UL514A scrub water exclusion requirements
- Provides consistent look and maximum functionality throughout the installed life
- Meets ADA standards for accessible design, section 4.3.8

Hubbell SystemOne Sub-Plates

Hubbell's modular sub-plate design allows users to economically upgrade Hubbell SystemOne FRPT and Floor Boxes to accommodate future moves, additions and changes. See page P-18 for additional information.



4x4 Sub-Plate



Datacom and Power Sub-Plate



Extron[®] APP/MAPP and Power Sub-Plate



Dual Style Line[®] Decorator Sub-Plate



Twist-Lock[®] Sub-Plate



Furniture Feed Cover, Carpet

Features

- Durable cast aluminum construction, powder coat finish
- Hubbell 4X4: four 20A, 125V receptacles, four keystone openings for voice/data jacks and flush multimedia connectors
- Hubbell X-END and Hubbell iSTATION modular connectivity
- Accommodates Extron[®] Electronics Architectural Series audio/video system integration products
- Accommodates GFCI, surge and standard Style Line[®] Decorator receptacles
- Twist-Lock[®] receptacle with two flush keystone openings
- Large capacity and multi-service furniture feed applications
- Open system sub-plates permit maximum data flexibility

Extron[®] is a registered trademark of Extron Electronics. Simon[™] is a trademark of The Simon Company. Panduit[®] is a registered trademark of Panduit Corp. SYSTIMAX[®] is a registered trademark of CommScope, Inc. Ortronics[®] is a registered trademark of Ortronics/Legrand.

Hubbell SystemOne 4 Inch Core Hole, One-Piece Units

All Hubbell SystemOne 4 Inch core, one-piece units include the sub-plate and cover to simplify your order and reduce installation time. Units are also available with a power junction box installed. The junction box is also available for purchase separately.



Description

One-Piece 4X4 Poke-Through

Assembled-unit includes:

- Hubbell SystemOne 4X4 floor fitting (S1PT4X4FIT)
- 4x4 sub-plate (S1SP4X4)
- Finish flange and universal carpet cover assembly (S1CFCxx)
- 4-hour fire classification

Keystone openings accept Hubbell modular jacks, X-END connectors and flush multimedia snap fit connectors. Receptacles feature single or two circuit wiring and isolated ground capability.

Color

- Aluminum Finish
- Brass Finish
- Black/Brass Finish
- Black
- Gray

Catalog Number without Junction Box

- S1PT4X4AL**
- S1PT4X4BRS**
- S1PT4X4BRS3**
- S1PT4X4BL**
- S1PT4X4GY**

Catalog Number with Junction Box*

- S1PT4X4ALJ**
- S1PT4X4BRSJ**
- S1PT4X4BRS3J**
- S1PT4X4BLJ**
- S1PT4X4GYJ**



One-Piece Dual Style Line® Decorator Poke-Through

Assembled-unit includes:

- Hubbell SystemOne dual channel floor fitting (S1PTFIT)
- Dual Style Line® decorator opening sub-plate (S1SP)
- Finish flange and universal carpet cover assembly (S1CFCxx)
- 4-hour fire classification

Style Line® decorator openings accept two Style Line® decorators or one surge or GFCI receptacle and one Style Line® decorator receptacle. Outlet frames can be used to convert the application to a 6-port multi-service or a 12-port all communication solution. Fitting is 4-hr rated at 100% fill to accommodate (12) Cat. 6A cables (0.330" diameter).

- Aluminum Finish
- Brass Finish
- Black
- Gray

- S1PTAL**
- S1PTBRS**
- S1PTBL**
- S1PTGY**

- S1PTALJ**
- S1PTBRSJ**
- S1PTBLJ**
- S1PTGYJ**



One-Piece Modular AV Poke-Through

Assembled-unit includes:

- Hubbell SystemOne AV floor fitting (S1PTAVFIT)
- 20A, 125V power and 3-unit Hubbell iSTATION sub-plate (S1SP3IM)
- Finish flange and universal carpet cover assembly (S1CFCxx)
- 4-hour fire classification

The Hubbell iSTATION's recessed opening can accommodate data/voice/audio and video solutions including 15-pin VGA, RCA, S-Video, 3.5mm stereo, X-END, HDMI and XLR microphone jacks.

- Aluminum Finish
- Brass Finish
- Black
- Gray

- S1PT3IMAL**
- S1PT3IMBRS**
- S1PT3IMBL**
- S1PT3IMGY**

- S1PT3IMALJ**
- S1PT3IMBRSJ**
- S1PT3IMBLJ**
- S1PT3IMGYJ**



One-Piece Furniture Feed Poke-Through

Assembled-unit includes:

- Hubbell SystemOne AV floor fitting (S1PTAVFIT)
- Hubbell SystemOne furniture feed cover plate (S1SPFFxx)
- 4-hour fire classification

This solution provides one 3/4 in. conduit for power and one 1 1/2 in. conduit for low-voltage. Furnished with two screw-in flexible metal conduit connectors.

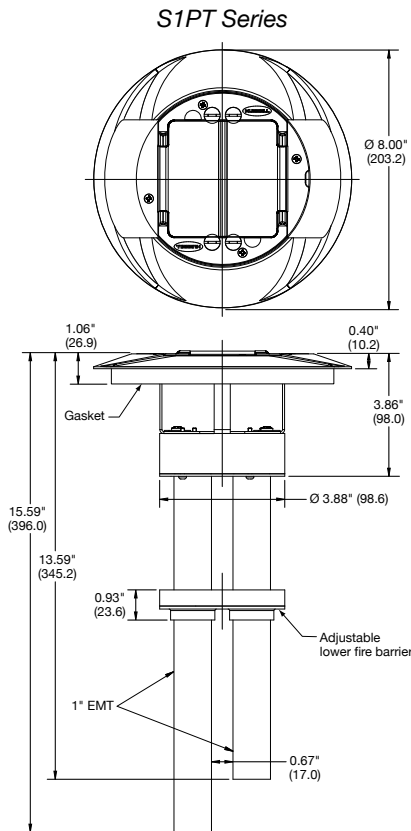
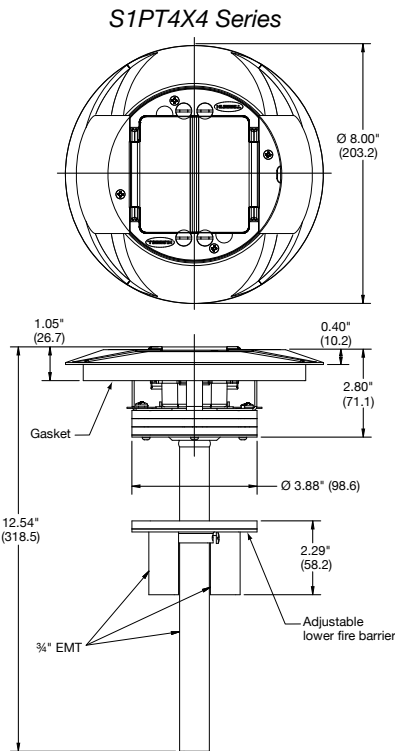
- Aluminum Finish
- Brass Finish
- Black
- Gray

- S1PTFFAL**
- S1PTFFBRS**
- S1PTFFBL**
- S1PTFFGY**

- S1PTFFALJ**
- S1PTFFBRSJ**
- S1PTFFBLJ**
- S1PTFFGYJ**



*Note: *Junction box factory installed on through floor fitting. See pages P-28 and P-29 for technical information.*



Product Information

- Powder coat cast aluminum cover and flange (color finish options: aluminum, brass, black, gray and ivory).
- Hubbell SystemOne universal cover meets ADA standards for accessible design, section 4.3.8, "changes in level."
- S1SP4X4 sub-plate supplied with pre-wired, molded, four position 20A, 125V, black receptacle, NEMA 5-20R.
- S1SP4X4 wired with six thermally protected #14 AWG THHN stranded copper conductors, receptacle can be wired as dual-circuit and isolated ground.
- S1SP4X4 accepts four (4) Hubbell HXJ6, HXJ5E, HXJU; category 6A, 6, 5e, and USOC, and flush series jacks.
- S1SP sub-plate accepts two (2) 15A or 20A Style Line® decorator receptacles, Style Line® data frames, and/or one (1) GFCI or surge receptacle.

Application Data

- Mounted in 4 in. (101.6) cored concrete diameter through hole.
- Minimum floor thickness: 2 1/4 in. (57.2).
- UL Listed for fire resistance in 1 – 4 hour rated D900 series floors.
- Approved for use in the City of Chicago.

Wire Size (AWG)	Copper Cross Sectional Area for Solid or Stranded Conductors
#24	.00032 sq. in. (.206mm ²)
#23	.00040 sq. in. (.258mm ²)
#22	.00050 sq. in. (.322mm ²)
#14	.00323 sq. in. (2.083mm ²)
#12	.00512 sq. in. (3.303mm ²)
#10	.00815 sq. in. (5.258mm ²)
# 8	.01296 sq. in. (8.361mm ²)

UL Listed Wiring Capacity

	S1PT4X4 Series	S1PT Series
Fire Resistance Rating	4-Hrs. (D900)	4-Hrs. (D900)
Max. Copper Cross Section	3/4 in. Power EMT .0307 sq. in.	1 in. Power EMT .0307 sq. in.
	3/4 in. Low Voltage EMT .016 sq. in.	1 in. Low Voltage EMT .024 sq. in.

UL Characteristics

Listing	UL File Number	ULC File Number
Outlet Box	E31999	CEYYC
Fire Resistance	R8429	R8429

For use in 1, 1 1/2 or 2 hour rated unprotected reinforced floors or in 1 or 2 hour rated floors employing steel floor units and concrete topping (D900 Series designs).
UL Spacing Restrictions - Minimum of 2 ft. on center and not more than one unit per each 65 square feet of floor area in each span.

Note: The above product data pertains to both one-piece units, three-piece units and through-floor fittings.
When connection conduit sweeps to through-floor fittings, ensure compliance with NEC fill tables.

Dimensions in Inches (mm)