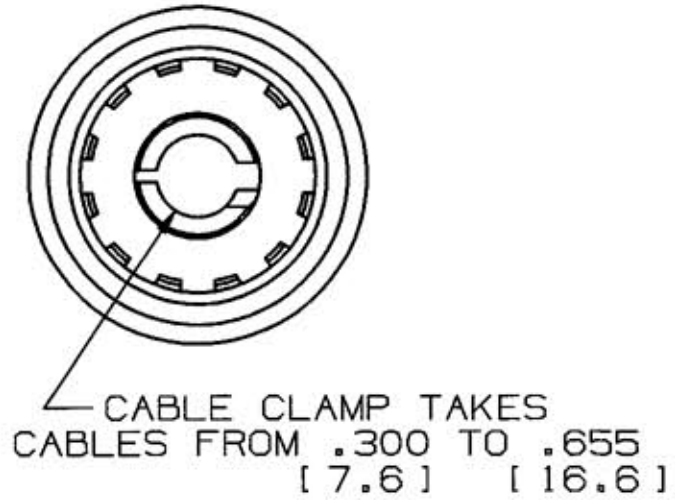
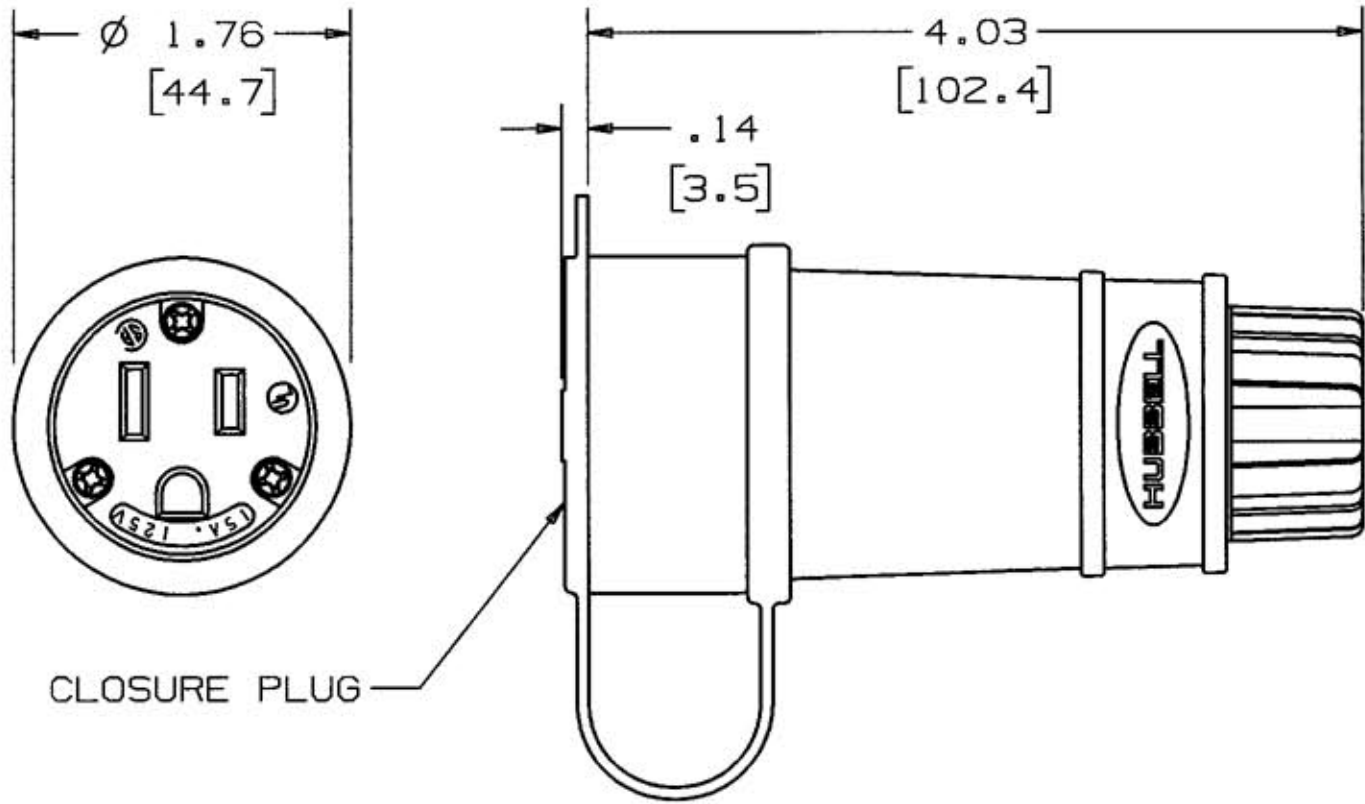


M-6400 2



CAT. NO.	CONFIGURATION	RATING
HBL15W47	NEMA 5-15R NON-LOCKING	15A.125V
HBL15W33	NEMA 5-20R NON-LOCKING	20A.125V
HBL25W47	NEMA L5-15R LOCKING	15A.125V

NOTES: (UNLESS OTHERWISE SPECIFIED)

1) DIMENSION FORMAT IS: INCHES [ mm ]

2) DIMENSIONS SHOWN ON THIS DRAWING ARE NOMINAL VALUES FOR GENERAL USE ONLY. ACTUAL PART TOLERANCES MUST BE OBTAINED FROM HUBBELL ENGINEERING.

LIST OF PARTS

DESCRIPTION	MATERIAL	FINISH
BODY	NYLON	NATURAL
RETAINER	POLYCARBONATE	AMBER
WIRE CLAMP	.062 C.R.S.	NICKEL PLATE
CONTACT SPRING	.031 BRONZE	
BINDING SCREW	BRASS	*
GR HEX HD BIND'G SCR	BRASS	GREEN
SPACER	NYLON	NATURAL
NUT	NYLON	YELLOW
GLAND	NEOPRENE	GRAY
OUTER SLEEVE	VINYL	YELLOW
CLOSURE PLUG	VINYL	YELLOW
GOTCHA RING	NYLON	

\* WHITE FINISH ON NEUTRAL

SUPERSEDES DRAWING DATED 5-1-84

2	REDRAWN WITH CHANGES; ADDED "HBL" TO 15W47, 15W33, & 25W47; DUAL DIMENSIONS WERE FRACTIONAL ONLY; ADDED NOTES 1 & 2; "SEE TABLE" WAS "SEE CHART"; IN PARTS LIST "POLYCARBONATE" WAS "LEXAN"; PER DCN #8682.	TCM	12/7/01
SYM	REVISIONS	APP	DATE

THE DESIGN AND DIMENSIONS OF THE PRODUCT SHOWN ON THIS DRAWING ARE SUBJECT TO CHANGE WITHOUT NOTICE

TITLE  
2 POLE 3 WIRE WATERTIGHT ELASROMERIC CONNECTORS

TOLERANCES UNLESS OTHERWISE SPECIFIED	WIRING DEVICE-KELLEMS HUBBELL INCORPORATED BRIDGEPORT, CT	
FRACTIONS ±1/64	DR. BY A.Z.	APP. BY J.N.C.
DECIMALS ±.005	TR. BY J.M.N.	SCALE 1:1
ANGLES ±2°	CHK'D BY	DATE 6/9/00

DIMENSION SHEET FOR CAT. NO. SEE TABLE

REPAIRABLE

NON-REPAIRABLE

B

M-6400

N