

Straight Blade Devices  
 20A, 125V, 2 Pole, 3 Wire Grounding  
 HBL® Extra Heavy Duty Hospital Grade  
 Duplex Receptacle

# HUBBELL



## Features

- Deep body design with circuit ID face
- Patented ground contact provides redundant grounding
- Unique bypass contact design

## Ordering Information

Description	Device Color	UPC	Catalog Number
Deep body design with circuit ID face. Back and side wired.	White	783585435787	HBL8300W

## Listings

UL Listed to UL498 File No. E2186  
 Certified to CSA 22.2, No. 42 File 285  
 Fed. Spec. W-C-596  
 NEMA® WD-6 Compliant

## Specifications

Face	PBT
Base	PBT
By-Pass Power Contacts	.036" (.9) Nickel plated brass
Ground Contacts	Brass
Clamping Plate	Nickel plated brass
Terminal Screws	Plated brass
Mounting Strap	Nickel plated brass
Automatic Self-grounding Clip	Stainless steel
Mounting Screws	Stainless steel

## Performance

### Electrical

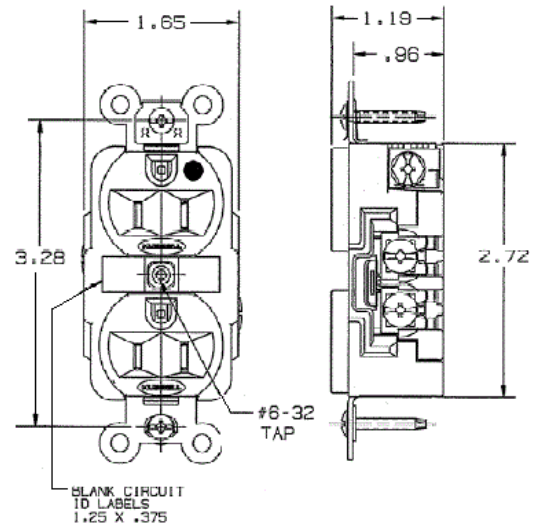
Current Interrupting	Certified for current interrupting at full rated current
Dielectric Voltage	Withstands 2,000V minimum

### Mechanical

Product Identification	Ratings are a permanent part of the device
Terminal Accommodation	#12-#10 AWG stranded or solid copper wire only
Terminal Identification	Terminals identified in accordance with UL 498 and CSA

### Environmental

Flammability	UL 94 V-0
Operating Temperatures	Maximum continuous 75°C; minimum -40°C (w/o impact)



## Accessories

Wallplate or Weatherproof Cover Duplex Opening

## Resources

Customer Use Drawing  
 eCatalog

Dimensions in Inches (mm)

Hubbell Wiring Device-Kellems • Hubbell Incorporated (Delaware) • 40 Waterview Drive • Shelton, CT 06484

Phone (800) 288-6000 • Fax (800) 255-1031 • Specifications subject to change without notice.

