

Machined threads provide a strong positive seal; the tapered interior dome easily drives the bushing into the connector body

The patented GOTHCA® ring incorporates a split hinge design to prevent friction and provide strain relief, also color-coded for sizing identification

Lubricated neoprene bushing compresses easily for a liquidtight seal and added pull-out protection

The connector body is a one-piece design with machined threads; a tapered interior seats the bushing evenly for a liquidtight seal

Hubbell has the broadest line and the widest choice of materials in the industry. NPT hub sizes from 1/4" to 3" in straight male end, 90°, 45°, female and underground feed connectors. They are available in your choice of aluminum, plated steel, nylon and stainless steel.

Hubbell offers a full line of machined aluminum cord connectors in NPT hub sizes 1/4" through 1" and cast aluminum 1" to 3". They provide durable performance and a clean attractive look without adding unwanted weight. NPT hub sizes 1/4" to 1" feature an attractive knurled finish which makes them easy to handle and maintain a U.L. listing by hand tightening.

The zinc-plated steel cord connectors offers the strength of steel and the corrosion resistance of zinc-plating. These heavy-duty connectors hold up to most manufacturing chemicals including acid solutions, solvents and other corrosive materials.

Their machined steel nut and body allows for tightening the compression nut and NPT hub without worrying about stripping the threads. For larger size cord, NPT hub sizes 1" to 2", Hubbell utilizes malleable iron connectors which provide excellent holding and liquidtight performance.

Hubbell's nylon cord connectors resist most common industrial corrosives and provide highly effective pullout protection in a lightweight design. They are ideal for any application where weight, conductivity or corrosion may be an issue. They're available in NPT hub sizes from 1/4" to 1".

Stainless steel cord connectors provide superior strength and corrosion resistance for industrial and military applications. They are machined from 300 series stainless steel and come in 1/4" to 1", NPT hub sizes.

**IP66\***  
 SUITABILITY



**45° Male**

| NPT Hub Size | Cord Diameter Inches | (mm)        | Form Size | Color Code | Machined Aluminum† | Machined Zinc-Plated SteelΔ | Cast Aluminum    |
|--------------|----------------------|-------------|-----------|------------|--------------------|-----------------------------|------------------|
| ½            | .19"-.25"            | (4.7-6.3)   | F2        | Red        | <b>VHC1021</b>     | —                           | —                |
|              | .25"-.38"            | (6.3-9.7)   |           | White      | <b>VHC1022</b>     | <b>VHC1022ZP</b>            | —                |
|              | .38"-.50"            | (9.7-12.7)  |           | Blue       | <b>VHC1023</b>     | <b>VHC1023ZP</b>            | —                |
|              | .50"-.63"            | (12.7-15.9) |           | Brown      | <b>VHC1024**</b>   | <b>VHC1024ZP**</b>          | —                |
| ¾            | .38"-.50"            | (9.7-12.7)  | F3        | Blue       | <b>VHC1035</b>     | —                           | —                |
|              | .50"-.63"            | (12.7-15.9) |           | Brown      | <b>VHC1036</b>     | —                           | —                |
|              | .63"-.75"            | (15.9-19.0) |           | Yellow     | <b>VHC1037**</b>   | —                           | —                |
| 1            | .63"-.75"            | (15.9-19.0) | F4        | Yellow     | <b>VHC1041</b>     | —                           | —                |
|              | .75"-.88"            | (19.0-22.2) |           | Orchid     | <b>VHC1042</b>     | —                           | —                |
| 1¼           | 1.00"-1.13"          | (25.4-28.6) | F5        | —          | —                  | —                           | <b>VHC1052</b>   |
|              | 1.13"-1.25"          | (28.6-31.7) |           | —          | —                  | —                           | <b>VHC1053**</b> |



**90° Male**

| NPT Hub Size | Cord Diameter Inches | (mm)        | Form Size | Color Code | Machined Aluminum† | Machined Zinc-Plated SteelΔ | Nylon Gray         | Nylon Black        | Cast Aluminum    |
|--------------|----------------------|-------------|-----------|------------|--------------------|-----------------------------|--------------------|--------------------|------------------|
| ¾            | .25"-.31"            | (6.3-7.9)   | F1        | Black      | <b>NHC1010</b>     | —                           | —                  | —                  | —                |
|              | .31"-.38"            | (7.9-9.5)   |           | White      | <b>NHC1011</b>     | —                           | —                  | —                  | —                |
|              | .38"-.44"            | (9.5-11.0)  |           | Blue       | <b>NHC1012</b>     | —                           | —                  | —                  | —                |
| ½            | .06"-.13"            | (1.6-3.2)   | F2        | Green      | —                  | —                           | —                  | —                  | —                |
|              | .13"-.19"            | (3.2-4.7)   |           | Orange     | <b>NHC1020</b>     | —                           | <b>NHC1020CR</b>   | —                  | —                |
|              | .19"-.25"            | (4.7-6.3)   |           | Red        | <b>NHC1021</b>     | <b>NHC1021ZP</b>            | <b>NHC1021CR</b>   | —                  | —                |
|              | .25"-.38"            | (6.3-9.7)   |           | White      | <b>NHC1022</b>     | <b>NHC1022ZP</b>            | <b>NHC1022CR</b>   | <b>NHC2022CR</b>   | —                |
|              | .38"-.50"            | (9.7-12.7)  |           | Blue       | <b>NHC1023</b>     | <b>NHC1023ZP</b>            | <b>NHC1023CR</b>   | <b>NHC2023CR</b>   | —                |
|              | .50"-.63"            | (12.7-15.9) |           | Brown      | <b>NHC1024**</b>   | <b>NHC1024ZP**</b>          | <b>NHC1024CR**</b> | <b>NHC2024CR**</b> | —                |
| ¾            | .38"-.50"            | (9.7-12.7)  | F3        | Blue       | <b>NHC1035</b>     | <b>NHC1035ZP</b>            | <b>NHC1035CR</b>   | —                  | —                |
|              | .50"-.63"            | (12.7-15.9) |           | Brown      | <b>NHC1036</b>     | <b>NHC1036ZP</b>            | <b>NHC1036CR</b>   | —                  | —                |
|              | .63"-.75"            | (15.9-19.0) |           | Yellow     | <b>NHC1037</b>     | <b>NHC1037ZP</b>            | <b>NHC1037CR</b>   | —                  | —                |
|              | .75"-.88"            | (19.0-22.2) |           | Orchid     | <b>NHC1038</b>     | <b>NHC1038ZP</b>            | <b>NHC1038CR</b>   | —                  | —                |
| 1            | .50"-.63"            | (12.7-15.9) | F4        | Brown      | <b>NHC1040</b>     | —                           | —                  | —                  | —                |
|              | .63"-.75"            | (15.9-19.0) |           | Yellow     | <b>NHC1041</b>     | <b>NHC1041ZP</b>            | <b>NHC1041CR</b>   | <b>NHC2041CR</b>   | —                |
|              | .75"-.88"            | (19.0-22.2) |           | Orchid     | <b>NHC1042</b>     | —                           | <b>NHC1042CR</b>   | <b>NHC2042CR**</b> | —                |
|              | .88"-1.00"           | (22.2-25.4) |           | Gray       | <b>NHC1043**</b>   | —                           | <b>NHC1043CR</b>   | <b>NHC2043CR**</b> | —                |
|              | 1.00"-1.13"          | (25.4-28.7) |           | Pink       | <b>NHC1044**</b>   | —                           | —                  | —                  | —                |
| 1¼           | .88"-1.00"           | (22.2-25.4) | F5        | —          | —                  | —                           | —                  | —                  | <b>NHC1051</b>   |
|              | 1.00"-1.13"          | (25.4-28.6) |           | —          | —                  | —                           | —                  | —                  | <b>NHC1052</b>   |
|              | 1.13"-1.25"          | (28.6-31.7) |           | —          | —                  | —                           | —                  | —                  | <b>NHC1053**</b> |
|              | 1.25"-1.38"          | (31.7-34.9) |           | —          | —                  | —                           | —                  | —                  | <b>NHC1054**</b> |
| 1½           | 1.00"-1.13"          | (25.4-28.6) | F5        | —          | —                  | —                           | —                  | —                  | <b>NHC1057</b>   |
|              | 1.13"-1.25"          | (28.6-31.7) |           | —          | —                  | —                           | —                  | —                  | —                |
|              | 1.25"-1.38"          | (31.7-34.9) |           | —          | —                  | —                           | —                  | —                  | <b>NHC1059</b>   |
| 2            | 1.38"-1.50"          | (34.9-38.1) | F6        | —          | —                  | —                           | —                  | <b>NHC1066</b>     |                  |

Note: See pages V-87 to V-95 for technical information and dimensional drawings.  
 \*IP66 Suitability when used with optional metal clad O-ring, see page V-84 for additional information.  
 \*\*Cable jacket may have to be stripped to pass through connector body.  
 †Nuts are machined aluminum and bodies are cast aluminum.  
 ΔCompression nuts are machined zinc-plated steel and bodies are zinc-plated malleable iron.  
 Locknuts sold separately. See page V-84 for additional information.



## Operating Temperatures

| Material                             | Temperature Range |                   |
|--------------------------------------|-------------------|-------------------|
| Aluminum                             | -40°F to +300°F   | (-40°C to +149°C) |
| Nylon (connectors and GOTCHA® rings) | -40°F to +225°F   | (-40°C to +107°C) |
| Plated steel*                        | -60°F to +1000°F  | (-51°C to +537°C) |
| Stainless steel*                     | -60°F to +1000°F  | (-51°C to +537°C) |
| Neoprene (bushings)                  | -30°F to +240°F   | (-34°C to +115°C) |

Note: \*Due to the limiting factors of nylon and neoprene, any complete cord connector with a GOTCHA ring, Form 1-5, will continuously perform in the range of -30°F to +225°F (-34°C to +107°C).  
 Cord connectors without GOTCHA rings, Form 6-8, will continuously operate in the range -30°F to +240°F (-34°C to +115°C) due to the limiting factor of neoprene.

## Hazardous Locations

Hubbell cord connectors are suitable for use in hazardous locations per Class I Div. 2, Class II Div. 1 & 2, Class III Div. 1 & 2 in accordance with the NEC.

## Flammability

Hubbell nylon cord connectors have a UL 94-V2 rating.

## Approvals

### Agency

UL Listed in accordance with Standard 514B for indoor/outdoor use.

CSA Certified.

United States Coast Guard Approved, Title 46-Part 111.

## Form Size Definition

The term "Form Size" refers to the physical overall size of a cord connector.

Form 1 is the smallest size.

Form 8 is the largest size.

## Knockout Holes

| NPT<br>Hub Size | Knockout Hole Recommended |       | PG<br>Hub Size | Knockout Hole Recommended |        | Metric<br>Hub Size | Knockout Hole Recommended |      |
|-----------------|---------------------------|-------|----------------|---------------------------|--------|--------------------|---------------------------|------|
|                 | Min.                      | Max.  |                | Inches                    | (mm)   |                    | Inches                    | (mm) |
| ¼               | .54"                      | .57"  | PG7            | .492"                     | (12.5) | M12                | .472"                     | (12) |
| ⅜               | .67"                      | .70"  | PG9            | .599"                     | (15.2) | M16                | .629"                     | (16) |
| ½               | .86"                      | .91"  | PG11           | .733"                     | (18.6) | M20                | .787"                     | (20) |
| ¾               | 1.04"                     | 1.09" | PG13.5         | .804"                     | (20.4) | M25                | .984"                     | (25) |
| 1               | 1.36"                     | 1.41" | PG16           | .888"                     | (22.5) | M32                | 1.25"                     | (32) |
| 1¼              | 1.72"                     | 1.77" | PG21           | 1.15"                     | (28.3) | M40                | 1.57"                     | (40) |
| 1½              | 1.97"                     | 2.02" | PG29           | 1.47"                     | (34.3) |                    |                           |      |
| 2               | 2.45"                     | 2.50" | PG36           | 1.85"                     | (47.0) |                    |                           |      |
| 2½              | 2.95"                     | 3.00" |                |                           |        |                    |                           |      |
| 3               | 3.58"                     | 3.63" |                |                           |        |                    |                           |      |

## NPT, PG and Metric Thread Low Profile Connectors

### Specifications

|                         |  |
|-------------------------|--|
| Material                | 6/6 Nylon.   |
| Gland                   | Buna N.  |
| Temperature Range       | -22°F to 225°F (-30°C to 107°C).<br>Cord Connectors are Halogen and Silicon free.                      |
| Protection Class        | IP66 Suitability.  |
| Flammability            | UL 94V-2.  |
| Listings/Certifications | UL Listing File E-41567, UL Recognition File E-41567.<br>CSA File LR27378C, VDE Marks Licence #136681. |



SECP29G



45° Hubbell Connectors

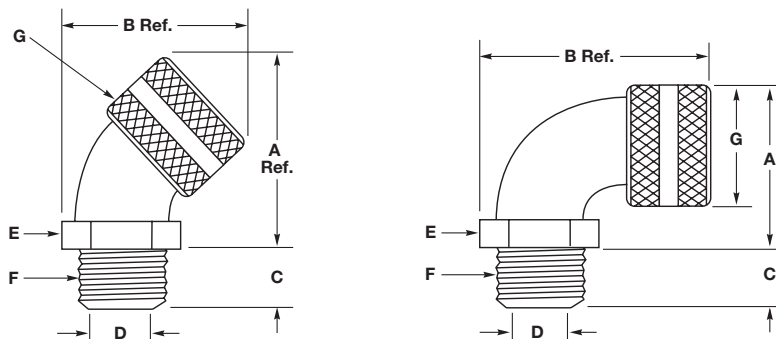
| F<br>NPT<br>Inches | Aluminum Inches (mm) |                 |                 |                |                     |                   |                 |                 | Zinc Plated Steel Inches (mm) |                 |                |                     |                   |                 |                   |                 |
|--------------------|----------------------|-----------------|-----------------|----------------|---------------------|-------------------|-----------------|-----------------|-------------------------------|-----------------|----------------|---------------------|-------------------|-----------------|-------------------|-----------------|
|                    | Form                 | A<br>Dia.       | B<br>Ref.       | C              | D<br>Throat<br>Dia. | E                 |                 | G<br>Dia.       | A<br>Dia.                     | B<br>Ref.       | C              | D<br>Throat<br>Dia. | E                 |                 | G                 |                 |
|                    |                      |                 |                 |                |                     | Across<br>Corners | Across<br>Flats |                 |                               |                 |                |                     | Across<br>Corners | Across<br>Flats | Across<br>Corners | Across<br>Flats |
| 1/2-14             | 2                    | 2.00"<br>(50.8) | 1.90"<br>(48.3) | .55"<br>(14.0) | .56"<br>(14.2)      | 1.27"<br>(32.3)   | 1.10"<br>(27.9) | 1.13"<br>(28.6) | 1.97"<br>(50.0)               | 1.90"<br>(48.3) | .55"<br>(14.0) | .57"<br>(14.4)      | 1.24"<br>(31.5)   | 1.06"<br>(26.9) | 1.27"<br>(32.3)   | 1.13"<br>(28.6) |
| 3/4-14             | 3                    | 2.30"<br>(58.4) | 2.50"<br>(65.3) | .56"<br>(14.2) | .75"<br>(19.0)      | 1.48"<br>(37.6)   | 1.28"<br>(32.5) | 1.38"<br>(34.9) | —                             | —               | —              | —                   | —                 | —               | —                 | —               |
| 1-11½              | 4                    | 2.60"<br>(66.0) | 2.80"<br>(71.1) | .70"<br>(17.8) | 1.00"<br>(25.4)     | 1.69"<br>(42.9)   | 1.50"<br>(38.1) | 1.75"<br>(44.4) | —                             | —               | —              | —                   | —                 | —               | —                 | —               |
| 1½-11½             | 5                    | 3.90"<br>(99.1) | 3.90"<br>(99.1) | .74"<br>(18.8) | 1.25"<br>(31.7)     | 2.45"<br>(62.2)   | 2.13"<br>(54.0) | 2.31"<br>(58.7) | —                             | —               | —              | —                   | —                 | —               | —                 | —               |
| 1½-11½             | 5                    | 3.90"<br>(99.1) | 3.90"<br>(99.1) | .74"<br>(18.8) | 1.50"<br>(38.1)     | 2.45"<br>(62.2)   | 2.13"<br>(54.0) | 2.31"<br>(58.7) | —                             | —               | —              | —                   | —                 | —               | —                 | —               |

90° Hubbell Connectors

| F<br>NPT<br>Inches | Aluminum Inches (mm) |                 |                  |                |                     |                   |                 |                 | Zinc Plated Steel Inches (mm) |                 |                |                     |                   |                 |                   |                 |
|--------------------|----------------------|-----------------|------------------|----------------|---------------------|-------------------|-----------------|-----------------|-------------------------------|-----------------|----------------|---------------------|-------------------|-----------------|-------------------|-----------------|
|                    | Form                 | A<br>Dia.       | B<br>Ref.        | C              | D<br>Throat<br>Dia. | E                 |                 | G<br>Dia.       | A<br>Dia.                     | B<br>Ref.       | C              | D<br>Throat<br>Dia. | E                 |                 | G                 |                 |
|                    |                      |                 |                  |                |                     | Across<br>Corners | Across<br>Flats |                 |                               |                 |                |                     | Across<br>Corners | Across<br>Flats | Across<br>Corners | Across<br>Flats |
| 3/8-18             | 1                    | 1.27"<br>(32.3) | 2.00"<br>(50.8)  | .46"<br>(11.7) | .44"<br>(11.2)      | 1.15"<br>(29.2)   | 1.10"<br>(27.9) | .88"<br>(22.2)  | —                             | —               | —              | —                   | —                 | —               | —                 | —               |
| 1/2-14             | 2                    | 1.56"<br>(39.6) | 2.30"<br>(58.4)  | .50"<br>(12.7) | .55"<br>(13.9)      | 1.30"<br>(33.0)   | 1.13"<br>(28.7) | 1.13"<br>(28.6) | 1.65"<br>(41.9)               | 2.38"<br>(60.5) | .55"<br>(14.0) | .55"<br>(13.8)      | 1.29"<br>(32.8)   | 1.13"<br>(28.7) | 1.27"<br>(32.3)   | 1.13"<br>(28.6) |
| 3/4-14             | 3                    | 1.79"<br>(45.5) | 2.80"<br>(71.1)  | .56"<br>(14.2) | .77"<br>(19.4)      | 1.49"<br>(37.8)   | 1.31"<br>(33.3) | 1.38"<br>(34.9) | 1.88"<br>(47.8)               | 2.90"<br>(73.7) | .56"<br>(14.2) | .77"<br>(19.4)      | 1.52"<br>(38.6)   | 1.33"<br>(33.8) | 1.55"<br>(39.2)   | 1.38"<br>(34.9) |
| 1-11½              | 4                    | 2.08"<br>(52.8) | 3.20"<br>(81.3)  | .70"<br>(17.8) | 1.00"<br>(25.4)     | 1.70"<br>(43.2)   | 1.50"<br>(38.1) | 1.75"<br>(44.4) | 2.16"<br>(54.9)               | 3.20"<br>(81.3) | .70"<br>(17.8) | 1.00"<br>(25.4)     | 1.72"<br>(43.7)   | 1.50"<br>(38.1) | 1.92"<br>(48.8)   | 1.69"<br>(42.8) |
| 1¼-11½             | 5                    | 3.18"<br>(80.8) | 4.30"<br>(109.2) | .73"<br>(18.5) | 1.26"<br>(32.0)     | 2.47"<br>(62.7)   | 2.15"<br>(54.6) | 2.31"<br>(58.7) | —                             | —               | —              | —                   | —                 | —               | —                 | —               |
| 1½-11½             | 5                    | 3.18"<br>(80.8) | 4.30"<br>(109.2) | .75"<br>(19.2) | 1.50"<br>(38.1)     | 2.47"<br>(62.7)   | 2.15"<br>(54.6) | 2.31"<br>(58.7) | —                             | —               | —              | —                   | —                 | —               | —                 | —               |
| 2-11½              | 6                    | 3.51"<br>(89.2) | 5.50"<br>(139.7) | .80"<br>(20.3) | 1.92"<br>(48.8)     | 2.98"<br>(75.7)   | 2.78"<br>(70.6) | 3.00"<br>(76.2) | —                             | —               | —              | —                   | —                 | —               | —                 | —               |

90° Hubbell Connectors

| Nylon Inches (mm)  |      |                 |                 |                |                     |                   |                 |                 |
|--------------------|------|-----------------|-----------------|----------------|---------------------|-------------------|-----------------|-----------------|
| F<br>NPT<br>Inches | Form | A<br>Dia.       | B<br>Ref.       | C              | D<br>Throat<br>Dia. | E                 |                 | G<br>Dia.       |
|                    |      |                 |                 |                |                     | Across<br>Corners | Across<br>Flats |                 |
| 3/8-18             | 1    | —               | —               | —              | —                   | —                 | —               | —               |
| 1/2-14             | 2    | 1.41"<br>(35.8) | 2.50"<br>(63.5) | .55"<br>(14.0) | .58"<br>(14.6)      | 1.23"<br>(31.2)   | 1.12"<br>(28.2) | 1.32"<br>(33.4) |
| 3/4-14             | 3    | 1.65"<br>(41.9) | 2.81"<br>(71.4) | .56"<br>(14.2) | .77"<br>(19.4)      | 1.42"<br>(36.1)   | 1.29"<br>(32.8) | 1.56"<br>(39.6) |
| 1-11½              | 4    | 1.99"<br>(50.5) | 3.30"<br>(83.8) | .70"<br>(17.8) | 1.01"<br>(25.7)     | 1.82"<br>(46.2)   | 1.60"<br>(40.6) | 1.88"<br>(47.6) |



Dimensions shown are approximate and are subject to change without notice.