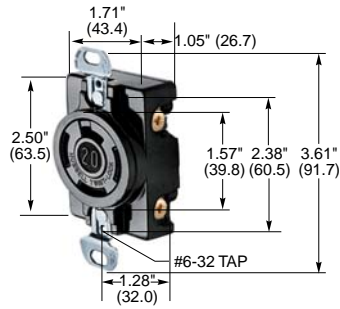


TWIST-LOCK® Devices

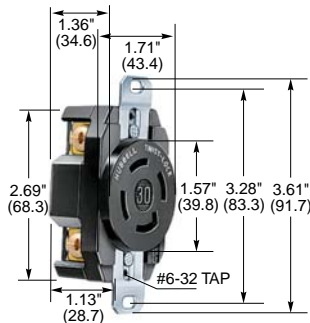
4 Pole, 4 Wire Non-Grounding

20 and 30 Ampere, 3Ø Y 120/208 Volts AC

Receptacles, INSULGRIP® Connector Bodies, Flanged Devices and Plugs



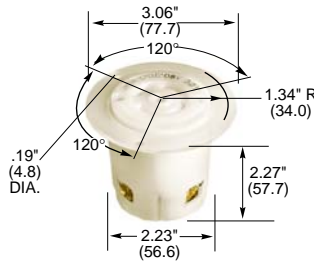
HBL7410B



HBL3430



HBL7413C



HBL7409C



HBL7411C



For Replacement Use Only



Non-NEMA
20A 3Ø Y
120/208V AC
UL Listed



Non-NEMA
30A 3Ø Y
120/208V AC
UL Listed

Receptacles

Description	Catalog Numbers	
Black urea, back wired.	HBL7410B	HBL3430
Mounted on a 4" (101.6) round metal cover.	HBL7417B	—
<i>Not Fed Spec</i>		

Insulgrip Connector Bodies IP20 SUITABILITY

Description	Catalog Numbers	
Black and white nylon.	HBL7413C	HBL3433C

Note: Cord grip range for devices .35"-1.15" (9-29).

Insulgrip Flanged Receptacle

Description	Catalog Number	
Nylon casing, back wired.	HBL7409C	—



Non-NEMA
20A 3Ø Y
120/208V AC
UL Listed



Non-NEMA
30A 3Ø Y
120/208V AC
UL Listed

Insulgrip Plugs IP20 SUITABILITY

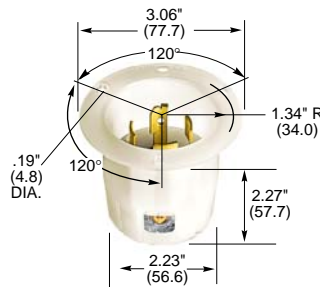
Description	Catalog Numbers	
Black and white nylon.	HBL7411C	HBL3431C

*Notes: Cord grip range for devices .35"-1.15" (9-29).
See page B-73 for Add-A-Shroud™ kit.*

Insulgrip Flanged Inlet

Description	Catalog Number	
Nylon casing, back wired.	HBL7408C	—

*Notes: See pages B-70 and B-71 for accessories.
For technical information on Insulgrip plugs, connector bodies and flanged devices see page B-83.*



HBL7408C

CAUTION: To avoid electrical shock, review premises carefully and do not use if slot or blade configuration (design) is already in a circuit having a rating differing from the rating of this device.