

TWIST-LOCK® Devices

4 Pole, 5 Wire Grounding

20 Ampere, 3Ø Y 120/208, 277/480 and 347/600 Volts AC

Receptacles, INSULGRIP® Connector Bodies, Flanged Devices and Plugs



NEMA L21-20R
20A 3ØY
120/208V AC
UL/CSA
2 HP



NEMA L22-20R
20A 3ØY
277/480V AC
UL/CSA
5 HP

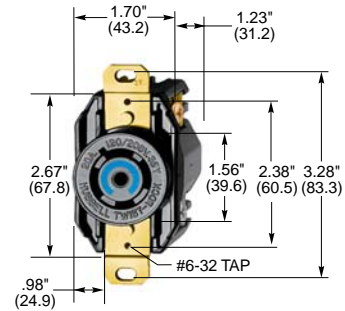


NEMA L23-20R
20A 3ØY
347/600V AC
UL/CSA

Single Flush Receptacles, Back and Side Wired

Description	Catalog Numbers		
Black nylon face.	HBL2510	HBL2520*	HBL2530*
Isolated ground, orange nylon face.	IG2510	-	-

*Not Fed Spec



HBL2510

Insulgrip Connector Bodies IP20 SUITABILITY

Description	Catalog Numbers		
Black and white nylon.	HBL2513	HBL2523	HBL2533
Corrosion resistant, yellow nylon.	HBL25CM13	-	-

Note: Cord grip range .35"-1.15" (9-29).



HBL2513

Insulgrip Flanged Receptacles

Description	Catalog Numbers		
Nylon casing, back wired.	HBL2516	HBL2526	HBL2536



NEMA L21-20P
20A 3ØY
120/208V AC
UL/CSA



NEMA L22-20P
20A 3ØY
277/480V AC
UL/CSA
5 HP

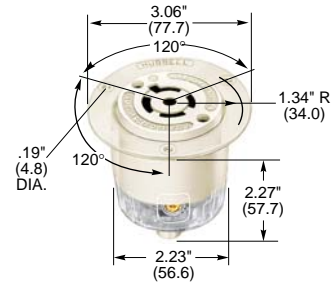


NEMA L23-20P
20A 3ØY
347/600V AC
UL/CSA

Insulgrip Plugs IP20 SUITABILITY

Description	Catalog Numbers		
Black and white nylon.	HBL2511	HBL2521	HBL2531
Corrosion resistant, yellow nylon.	HBL25CM11	-	-

Note: Cord grip range .35"-1.15" (9-29).



HBL2516

Insulgrip Flanged Inlets

Description	Catalog Numbers		
Nylon casing, back wired.	HBL2515	HBL2525	HBL2535

Notes: Only receptacles and plugs 480V AC or less are HP rated.

HP ratings for receptacles and plugs only.

All HP rating are AC only.

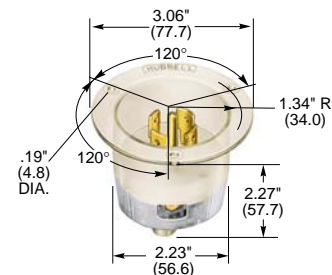
See pages B-70 and B-71 for accessories.

See page B-83 for technical data.

See page B-63 for switched enclosure.



HBL2511



HBL2515

