

IEC Pin and Sleeve

Accessories

Back Box

HUBBELL

Ordering Information

Description	UPC	Catalog Number
15° angle non-metallic Back Box, 60, 63A IEC Pin & Sleeve, 1 1/4" Hub	783585390024	BB60N

Color
Gray

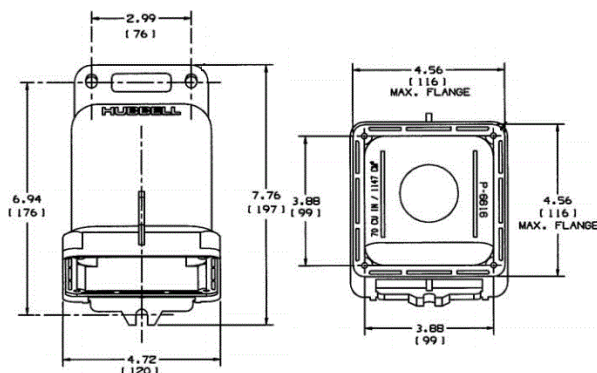


Standards

UL Raintight and External Icing Test
CSA Certified

Specifications

Accessory Item	Non-Metallic Back Box
Box Hub Size	1 1/4" NPT
Angle	15 Degree Angle
IEC Pin & Sleeve Accessory Type	60 and 63A



Performance

Environmental	
Moisture Resistance	IP67 Suitability

Accessories

Receptacle/Inlet Accommodation	60 and 63A IEC Pin & Sleeve
--------------------------------	-----------------------------

Online Resources

Customer Use Drawing
eCatalog
Installation Instructions

Dimensions in Inches (mm)

Hubbell Wiring Device-Kellems • Hubbell Incorporated (Delaware) • 40 Waterview Drive • Shelton, CT 06484

Phone (800) 288-6000 • Fax (800) 255-1031 • Specifications subject to change without notice.

