

IEC Pin and Sleeve

Accessories

Back Box

HUBBELL

Ordering Information

Description 15° angle non-metallic back box, 100 & 125A IEC Pin & Sleeve, 1 1/2" Hub	UPC 783585390048	Catalog Number BB100N
--	----------------------------	---------------------------------

Color
Gray

Standards

UL Raintight and External Icing Test
CSA Certified

Specifications

Accessory Item	Non-Metallic Back Box
Box Hub Size	1 1/2 in. NPT
Angle	15 Degree Angle
IEC Pin & Sleeve Accessory Type	100 and 125A

Performance

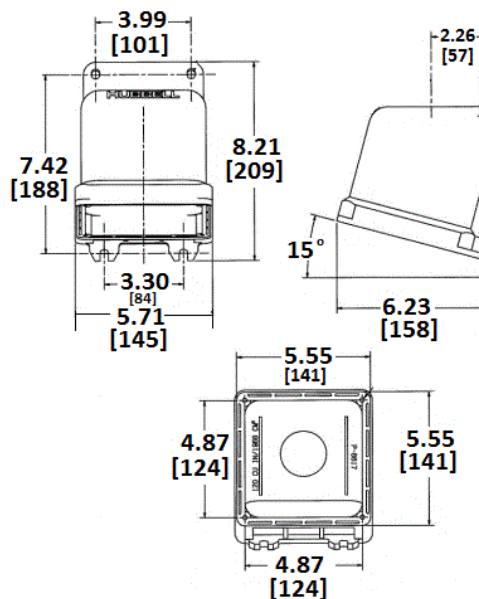
Environmental	
Moisture Resistance	IP67 Suitability

Accessories

Receptacle/Inlet Accommodation	100 and 125A IEC Pin & Sleeve
--------------------------------	--

Online Resources

Customer Use Drawing
eCatalog
Installation Instructions



Dimensions in Inches (mm)

Hubbell Wiring Device-Kellems • Hubbell Incorporated (Delaware) • 40 Waterview Drive • Shelton, CT 06484

Phone (800) 288-6000 • Fax (800) 255-1031 • Specifications subject to change without notice.

