



Miller® MightyLite/MightEvac Retractable Lifelines



SP100 Rev. D

Materials

Housing:	Aluminum Alloy, Stainless
Drum:	Aluminum Alloy, Stainless
Mainspring:	Stainless Steel
Brake Pawls:	Stainless Steel
Main Shaft:	RL20 Alum. Alloy
	All other units Stainless Steel
Bushing:	RL20 Rulon, all other units
	Ball & Roller Bearing
Snaphook:	Drop Forged Steel

Technical

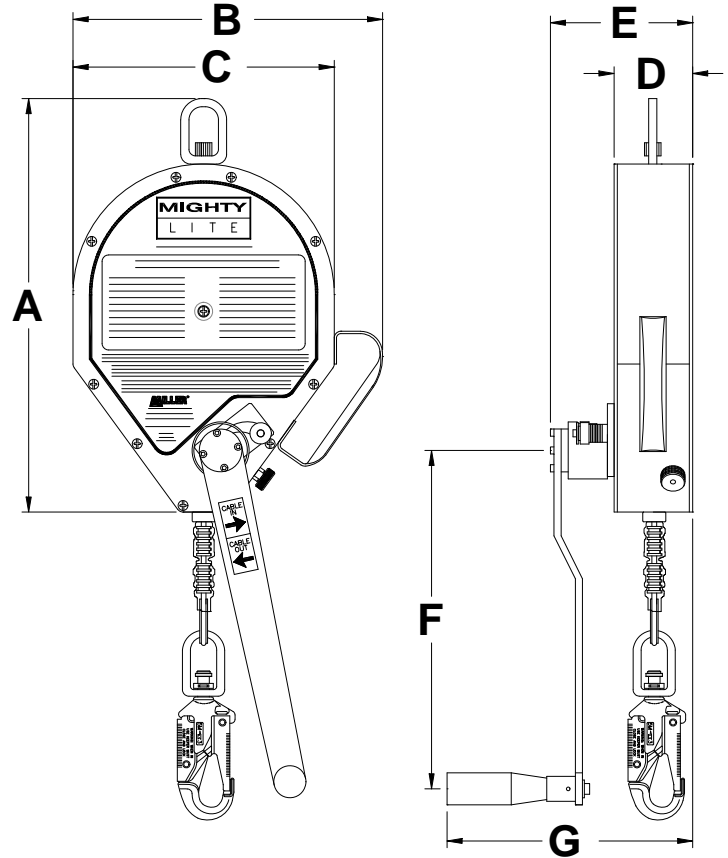
Max Working Load:	310 lbs (140.62 kg)
Ultimate Strength:	3600 lbs. (16.01kN)
Lifeline Tension:	3-4 lbs. (13.3/17.8 N)
Free Fall Distance:	24" Max. (609.6 mm)
Deceleration Distance:	42" Max (1.06m)
Arresting Force:	900 lbs. (approx.) (4kN)
Strength Test:	300 lbs. 4' free fall (1.33 kN @ 1.22m free fall)

Certification:

Meets OSHA 1926.502, 1910.66, ANSI A10.32

*ANSI Z359-2007, CSA Z259.2.2 requirements.

*ANSI Z359-2007 compliant for connectors which meet the 3600lb gate requirements. (listed at the end of the chart)



Model	Lifeline Material	Length	Weight	A	B	C	D	E	F	G
RL20P	1" Polyester Webbing	20 ft. (6m)	11 lbs.(4.9 kg)	10.50"/267mm	*	6.38"/162mm	2.25"/57mm	N/A	N/A	N/A
RL20G	3/16" Galvanized Cable	20 ft. (6m)	12 lbs.(5.4 kg)	10.50"/267mm	*	6.38"/162mm	2.25"/57mm	N/A	N/A	N/A
RL20SS	3/16" Stainless Steel Cable	20 ft. (6m)	12 lbs.(5.4 kg)	10.50"/267mm	*	6.38"/162mm	2.25"/57mm	N/A	N/A	N/A
RLS30G	3/16" Galvanized Cable	30 ft. (9m)	14 lbs.(5 kg)	10.50"/267mm	*	6.38"/162mm		N/A	N/A	N/A
RLS30S	3/16" Stainless Steel Cable	30 ft. (9m)	14 lbs.(5 kg)	10.50"/267mm	*	6.38"/162mm		N/A	N/A	N/A
RL30G	3/16" Galvanized Cable	30 ft. (9m)	23 lbs.(10.4 kg)	15.75"/400mm	11.75"/298mm	10.00"/254mm	3.00"/76mm	N/A	N/A	N/A
RL30SS	3/16" Stainless Steel Cable	30 ft. (9m)	24 lbs.(10.4 kg)	15.75"/400mm	11.75"/298mm	10.00"/254mm	3.00"/76mm	N/A	N/A	N/A
RL50P	1" Polyester Webbing	50 ft. (15m)	19 lbs. (8.6 kg)	15.75"/400mm	11.75"/298mm	10.00"/254mm	3.00"/76mm	N/A	N/A	N/A
RL50G	3/16" Galvanized Cable	50 ft. (15m)	20lbs.(9.0 kg)	15.75"/400mm	11.75"/298mm	10.00"/254mm	3.00"/76mm	N/A	N/A	N/A
RL50SS	3/16" Stainless Steel Cable	50 ft. (15m)	21lbs.(9.5 kg)	15.75"/400mm	11.75"/298mm	10.00"/254mm	3.00"/76mm	N/A	N/A	N/A
RL65G	3/16" Galvanized Cable	65 ft. (20m)	24 lbs.(10.8 kg)	15.75"/400mm	11.75"/298mm	10.00"/254mm	3.00"/76mm	N/A	N/A	N/A
RL65SS	3/16" Stainless Steel Cable	65 ft. (20m)	24 lbs.(10.8 kg)	15.75"/400mm	11.75"/298mm	10.00"/254mm	3.00"/76mm	N/A	N/A	N/A
RL100G	3/16" Galvanized Cable	100 ft. (30m)	54 lbs.(24.4 kg)	15.75"/400mm	11.75"/298mm	10.00"/254mm	5.00"/127mm	N/A	N/A	N/A
RL100SS	3/16" Stainless Steel Cable	100 ft. (30m)	54 lbs.(24.4 kg)	15.75"/400mm	11.75"/298mm	10.00"/254mm	5.00"/127mm	N/A	N/A	N/A
RL130G	3/16" Galvanized Cable	130 ft. (40m)	56 lbs.(25.4 kg)	15.75"/400mm	11.75"/298mm	10.00"/254mm	5.00"/127mm	N/A	N/A	N/A
RL130SS	3/16" Stainless Steel Cable	130 ft. (40m)	56lbs.(25.4kg)	15.75"/400mm	11.75"/298mm	10.00"/254mm	5.00"/127mm	N/A	N/A	N/A
Sealed Self-Retracting Lifelines										
RL175BG	3/16" Galvanized Cable	175 ft.(53.34m)	70 lbs.(31.7 kg)	15.75"/400mm	11.75"/298mm	10.00"/254mm	7.18"/182mm	N/A	N/A	N/A
RL175G	3/16" Galvanized Cable	176 ft.(53.34m)	72 lbs.(32.6 kg)	15.75"/400mm	11.75"/298mm	10.00"/254mm	7.18"/182mm	N/A	N/A	N/A
RL175BSS	3/16" Stainless Steel Cable	177 ft.(53.34m)	72 lbs.(32.6 kg)	15.75"/400mm	11.75"/298mm	10.00"/254mm	7.18"/182mm	N/A	N/A	N/A
RL175SS	3/16" Stainless Steel Cable	178 ft.(53.34m)	72 lbs.(32.6 kg)	15.75"/400mm	11.75"/298mm	10.00"/254mm	7.18"/182mm	N/A	N/A	N/A



Miller® MightyLite/MightEvac Retractable Lifelines



Model	Lifeline Material	Length	Weight	A	B	C	D	E	F	G
-------	-------------------	--------	--------	---	---	---	---	---	---	---

MR Series Retrieval Lifelines

MR40KB	3/16" Kevlar Rope	40 ft. (12m)	43 lbs. (19.5 kg)	15.75"/400mm	11.75"/298mm	10.00"/254mm	3.00"/76mm	5.50"/140mm	13.00"/330mm	9.00"/229mm
MR50G	3/16" Galvanized Cable	50 ft. (15m)	32 lbs.(14.5 kg)	15.75"/400mm	11.75"/298mm	10.00"/254mm	3.00"/76mm	5.50"/140mm	13.00"/330mm	9.00"/229mm
MR50S	3/16" Stainless Steel Cable	50 ft. (15m)	32 lbs.(14.5 kg)	15.75"/400mm	11.75"/298mm	10.00"/254mm	3.00"/76mm	5.50"/140mm	13.00"/330mm	9.00"/229mm
MR80KB	3/16" Kevlar Rope	80 ft. (24m)	46 lbs. (20.9 kg)	15.75"/400mm	11.75"/298mm	10.00"/254mm	5.00"/127mm	7.50"/191mm	13.00"/330mm	11.00"/279mm
MR100G	3/16" Galvanized Cable	100 ft. (30m)	55 lbs.(24.9 kg)	15.75"/400mm	11.75"/298mm	10.00"/254mm	5.00"/127mm	7.50"/191mm	13.00"/330mm	11.00"/279mm
MR100S	3/16" Stainless Steel Cable	100 ft. (30m)	55 lbs.(24.9 kg)	15.75"/400mm	11.75"/298mm	10.00"/254mm	5.00"/127mm	7.50"/191mm	13.00"/330mm	11.00"/279mm
MR130G	3/16" Galvanized Cable	130 ft. (40m)	57 lbs.(25.8 kg)	15.75"/400mm	11.75"/298mm	10.00"/254mm	5.00"/127mm	7.50"/191mm	13.00"/330mm	11.00"/279mm
MR130S	3/16" Stainless Steel Cable	130 ft. (40m)	57 lbs.(25.8 kg)	15.75"/400mm	11.75"/298mm	10.00"/254mm	5.00"/127mm	7.50"/191mm	13.00"/330mm	11.00"/279mm

ANSI Z359-2007 Compliant Models

RL20G-Z7	3/16" Galvanized Cable	20 ft. (6m)	12 lbs.(5.4 kg)	10.50"/267mm	*	6.38"/162mm	2.25"/57mm	N/A	N/A	N/A
RL20P-Z7	1" Polyester Webbing	20 ft. (6m)	11 lbs.(4.9 kg)	10.50"/267mm	*	6.38"/162mm	2.25"/57mm	N/A	N/A	N/A
RLS30G-Z7	3/16" Galvanized Cable	30 ft. (9m)	14 lbs. (6.3kg)	10.50"/267mm	*	6.38"/162mm		N/A	N/A	N/A
RL50G-Z7	3/16" Galvanized Cable	50 ft. (15m)	22 lbs.(9.9 kg)	15.75"/400mm	11.75"/298mm	10.00"/254mm	3.00"/76mm	N/A	N/A	N/A
RL50P-Z7	1" Polyester Webbing	50 ft. (15m)	21 lbs. (9.5 kg)	15.75"/400mm	11.75"/298mm	10.00"/254mm	3.00"/76mm	N/A	N/A	N/A
RL65G-Z7	3/16" Galvanized Cable	65 ft. (20m)	30 lbs.(13.6 kg)	15.75"/400mm	11.75"/298mm	10.00"/254mm	3.00"/76mm	N/A	N/A	N/A
RL100G-Z7	3/16" Galvanized Cable	100 ft. (30m)	54 lbs.(24.4 kg)	15.75"/400mm	11.75"/298mm	10.00"/254mm	5.00"/127mm	N/A	N/A	N/A
RL130G-Z7	3/16" Galvanized Cable	130 ft. (40m)	56 lbs.(25.4 kg)	15.75"/400mm	11.75"/298mm	10.00"/254mm	5.00"/127mm	N/A	N/A	N/A
RL175G-Z7	3/16" Galvanized Cable	176 ft.(53.34m)	72 lbs.(32.6 kg)	15.75"/400mm	11.75"/298mm	10.00"/254mm	7.18"/182mm	N/A	N/A	N/A

*Handle not available on RL20 series

All units are equipped with a Fall Indicator, in the event of a fall, a flag deploys to indicate the unit has been subjected to fall arresting forces and should be removed from service. Options shown may vary from actual product and is subject to change without notice.



RL20P-Z7



Toll Free 800.873.5242 • Phone 814.432.2118 • Fax 800.892.4078 • www.millerfallprotection.com

WARNING! THIS DOCUMENT PROVIDES AN OVERVIEW OF FALL PROTECTION PRODUCTS AVAILABLE FROM SPERIAN FALL PROTECTION AND CARE HAS BEEN TAKEN TO ASSURE THE ACCURACY OF THE DATA. IT DOES NOT PROVIDE IMPORTANT PRODUCT WARNINGS AND INSTRUCTIONS. SPERIAN FALL PROTECTION RECOMMENDS ALL USERS OF FALL PROTECTION EQUIPMENT UNDERGO THOROUGH TRAINING, AND THAT ALL WARNINGS AND INSTRUCTIONS PROVIDED WITH THE PRODUCTS BE THOROUGHLY READ AND UNDERSTOOD PRIOR TO EACH USE. FAILURE TO READ AND FOLLOW ALL PRODUCT WARNINGS AND INSTRUCTIONS COULD RESULT IN SERIOUS INJURY OR DEATH.