

7/17/2012

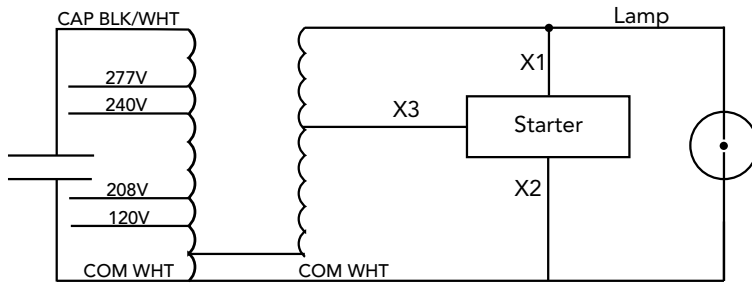
**150 Watt S55 60Hz  
High Pressure Sodium**

Project:	
Catalog#:	
Approved by:	

Input Volts (60 hz)	120	208	240	277
Input Watts	188	188	188	188
Approx Line Current (Amps)*	1.6	0.85	0.80	0.70
Circuit Type	HXH - High Power Factor			
ANSI	S55			
Insulation Class	Class H			
Power Factor	> 90%			
Regulation	Line Volts: ±5% Lamp Watts: ±10%			
Min. Ambient Starting Temp.	-40°F/-40°C			
High Potential Test (Volts)	1 Minute: 2000 1 Second: 2500			
Lead Lengths (inches)	12			
UL Temperature Ratings*	1029D			
Capacitor*	14.0/280v Min. Included in kit.			
Starter/Ignitor	ST2001A. Included in kit			

\* See Ballast Label for exact values and additional information

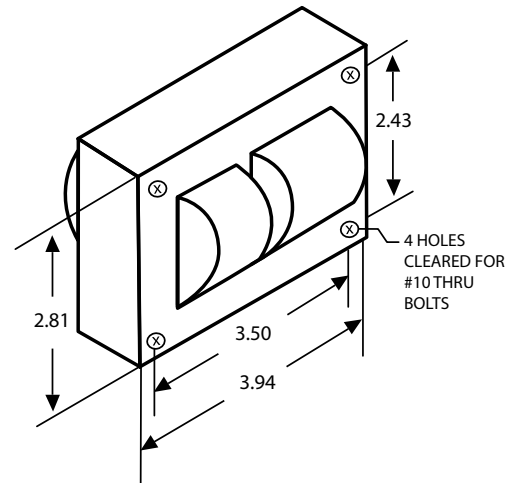
**WIRING DIAGRAM**



**HID Ballast Kit**

- Ballast
- Capacitor
- Starter
- Mounting Bracket

**DIMENSIONAL DRAWING**



Specifications subject to change without notice.

