

TELESCOPIC SHOTGUN STICK - REPAIR PARTS LIST

A-2-3

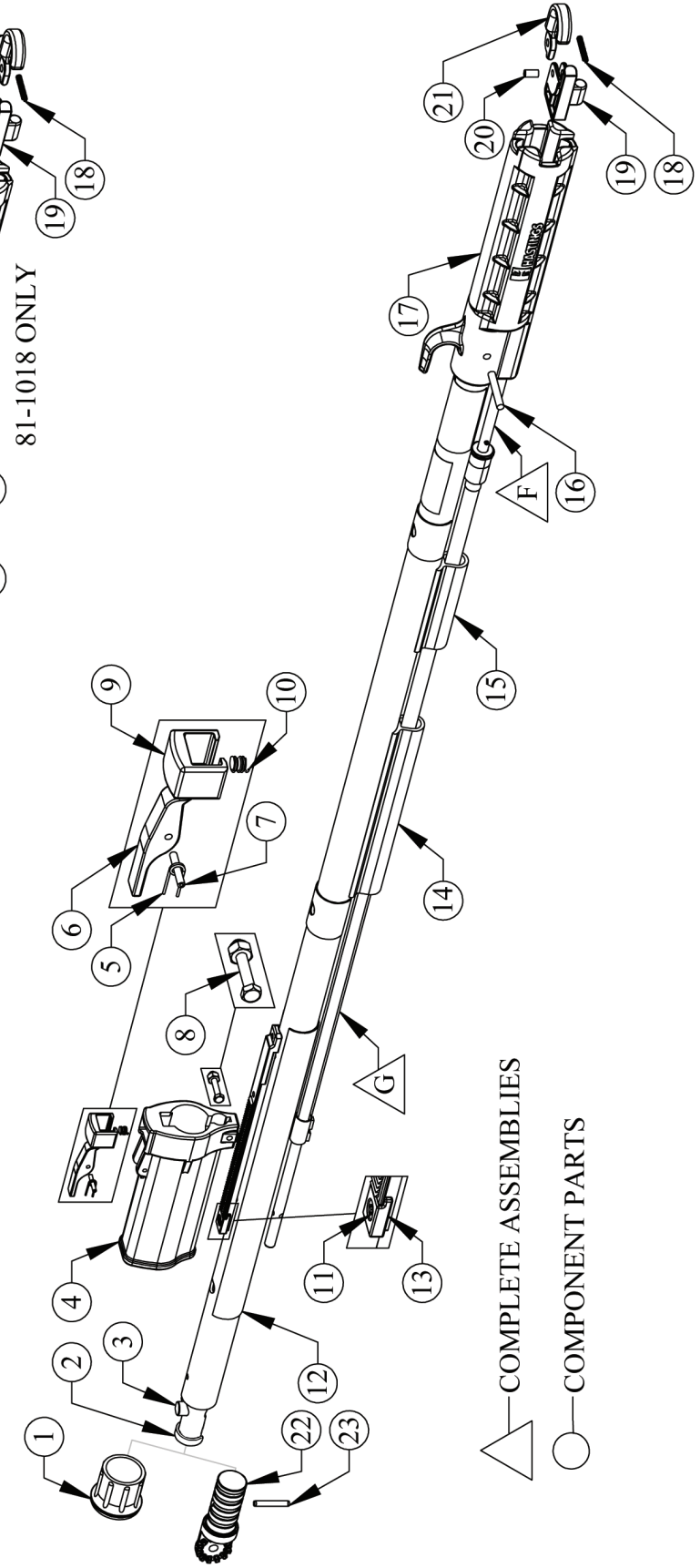
B-4-5-6-7-8-9-10

C-11-12-13-14-15 (INCLUDES FIBERGLASS BASE SECTION)

D-16-17 (INCLUDES FIBERGLASS TIP SECTION WITH HEAD ASSEMBLED TO POLE)

E-18-19-20-21

22-23—P10011, P16518 (- U MODELS ONLY)



△—COMPLETE ASSEMBLIES
○—COMPONENT PARTS

TELESCOPIC SHOTGUN STICK - REPAIR PARTS LIST

MODEL	8158	8158-80	8158-98	81611	81611-97	81-811	81-814	81-1018
NO	DESCRIPTION	CAT NO	CAT NO	CAT NO	CAT NO	CAT NO	CAT NO	CAT NO
1	BASE CAP	P18021	P18021	P18021	P18021	P18021	P18021	P18021
2	LOCK BODY (PIN INCLUDED)	P14023	P14023	P14023	P14023	P14023	P14023	P14023
3	LOCK PIN AND SPRING ASSY	A12011	A12011	A12011	A12011	A12011	A12011	A12011
4	HANDLE	P18500	P18500	P18500	P18500	P18500	P18500	P18500
5	LEVER ACTUATING SPRING	P13007	P13007	P13007	P13007	P13007	P13007	P13007
6	LEVER	P10002	P10002	P10002	P10002	P10002	P10002	P10002
7	1/8" X 3/4" ROLL PIN	P16502	P16502	P16502	P16502	P16502	P16502	P16502
8	#10-32 NUT AND BOLT	A16000	A16000	A16000	A16000	A16000	A16000	A16000
9	TRIGGER	P10003	P10003	P10003	P10003	P10003	P10003	P10003
10	COMPRESSION SPRING	P13008	P13008	P13008	P13008	P13008	P13008	P13008
11	#10-32 FLAT HEAD SCREW	P16019	P16019	P16019	P16019	P16019	P16019	P16019
12	PROTECTIVE SLEEVE	P30002	P30002	P30002	P30002	P30002	P30002	P30002
13	SLIDE STOP	P10005	P10005	P10005	P10005	P10005	P10005	P10005
14	HAND GRIP	P18541	P18541	P18541	P18541	P18541	P18541	P18541
15	OPERATING ROD GUIDE	-----	-----	-----	-----	-----	-----	-----
16	FRP PIN	P15545	P15545	P15545	P15545	P15545	P15545	P15545
17	INSULATED HEAD	P31466	P31466	P31466	P31466	P31466	P31466	A30409
18	HOOK ACTUATING SPRING	P13001	P13001	P13001	P13001	P13001	P13001	P13001
19	HOOK GUIDE SIDE BREAK	P10490	P10490	P10490	P10490	P10490	P10490	P10490
20	1/4" X 15/32" ROLL PIN	P16528	P16528	P16528	P16528	P16528	P16528	P16528
21	HOOK JAW SIDE BREAK	P10008	P10008	P10008	P10008	P10008	P10008	P10008
22	WING THUMB SCREW	-----	-----	-----	-----	-----	-----	P16057

REPLACEMENT ASSEMBLIES PARTS LIST

A	TIP SECTION LOCK ASSY	A14023	A14023	A14023	A14023	A14023	A14023	A14023
B	HANDLE ASSY	A18500	A18500	A18500	A18500	A18500	A18500	A18500
C	BASE SECTION ASSY	A20124	A20125	A20126	A20127	A20128	A20131	A20133
D	TIP SECTION ASSY	A20422	A20422	A20422	A20423	A20423	A20424	A20425
E	SIDE BREAK HOOK ASSY	A10408	A10408	A10408	A10408	A10408	A10408	A10408
F	OPERATING ROD ASSY	A15617	A15618	A15619	A15620	A15621	A15622	A15623
G	OPERATING TUBE ASSY	A15514	A15514	A15514	A15515	A15515	A15516	A15518

SHOTGUN STICK REPAIR PARTS LIST - FOR STICKS PRIOR TO JULY 2014

17	INSULATED HEAD	P30193	P30193	P30193	P30193	P30193	P30193	A30018
19	SIDE BREAK HOOK GUIDE	P10007	P10007	P10007	P10007	P10007	P10007	P10007
D	TIP SECTION ASSEMBLY	A20134	A20134	A20134	A20136	A20136	A20139	A20140
E	SIDE BREAK HOOK ASSEMBLY	A10008	A10008	A10008	A10008	A10008	A10008	A10008
F	OPERATING ROD ASSEMBLY	A15505	A15506	A15507	A15508	A15509	A15512	A15513

