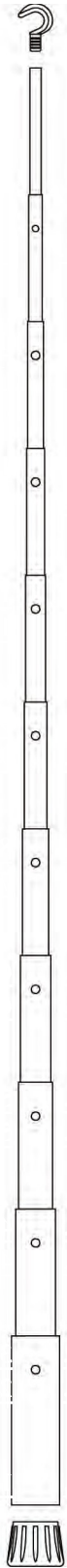
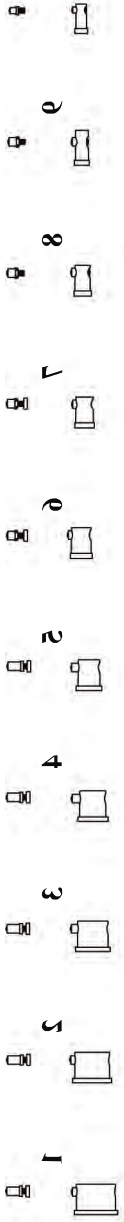


MEASURING STICK PARTS LIST - E & M MODELS

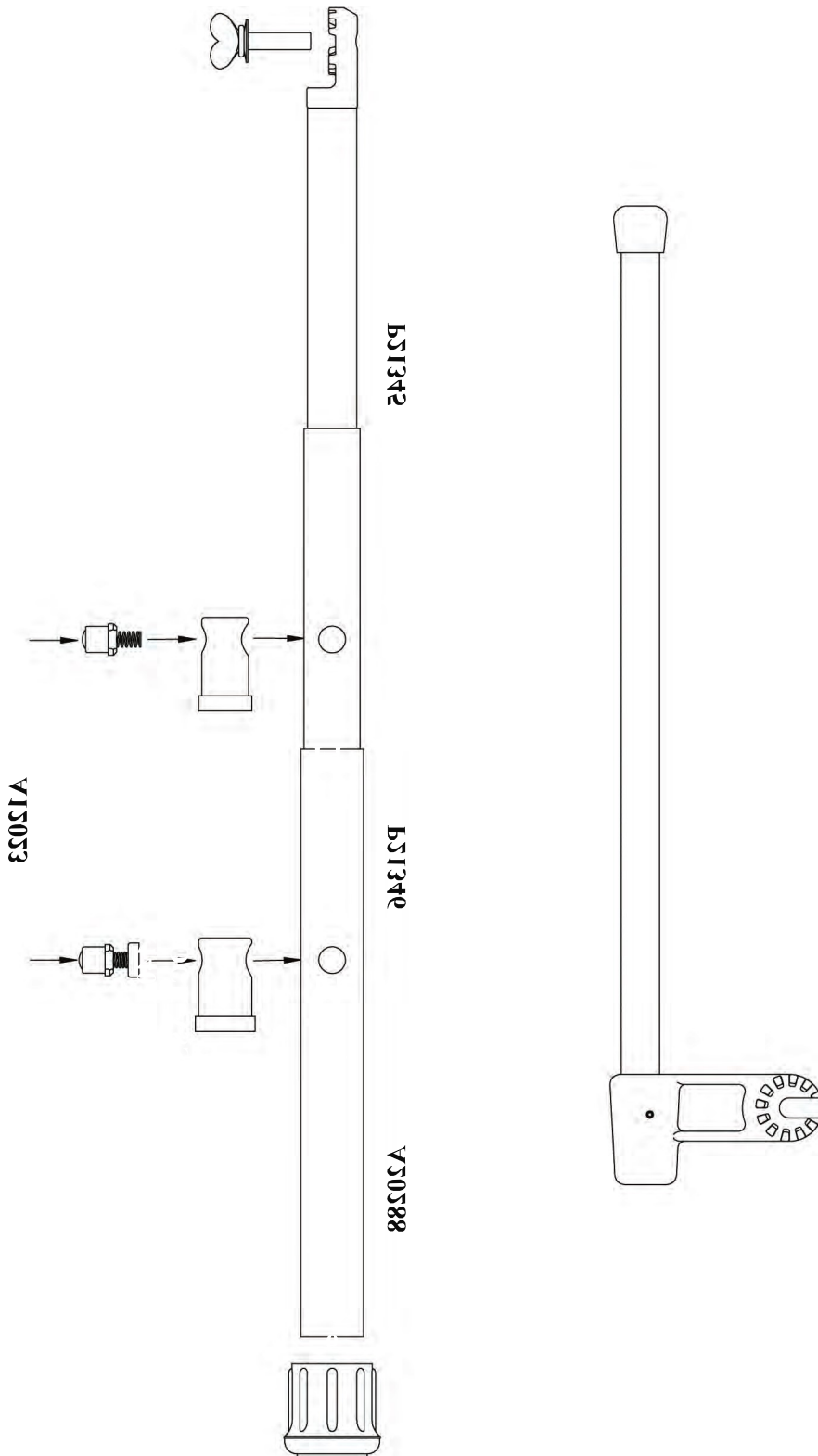


S 8 7 6 5 4 3 2 1 I

20. LENGTH SHOWN IN SECTIONS

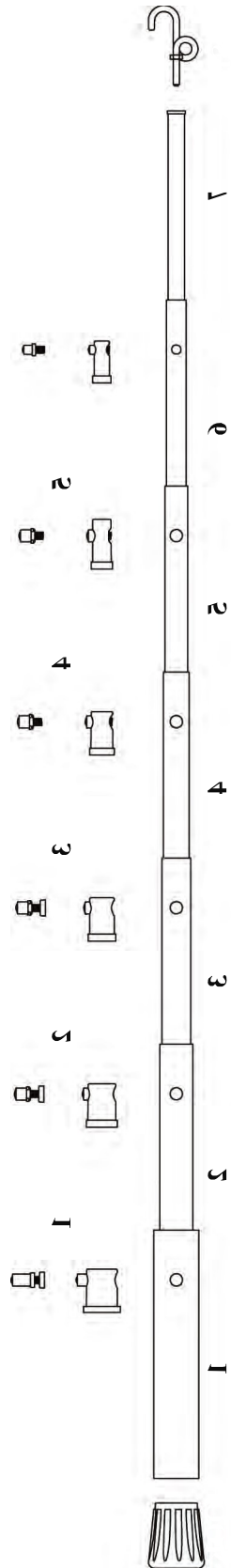
| TUBULAR SECTION NUMBERS | | | | | | | | | | | | |
|---|-------------|--------|--------|--------|--------|--------|--------|--------|--------|--------|--------|--------|
| CAT NO | BASE CAP | 11 | 10 | 9 | 8 | 7 | 6 | 5 | 4 | 3 | 2 | 1 |
| E-25 | P18020 | | | | | | P21419 | P21431 | P21430 | P21429 | P21428 | P21604 |
| M-25 | P18020 | | | | | | P21419 | P21449 | P21448 | P21447 | P21446 | P21606 |
| E-30 | P18027 | | | | | P21421 | P21432 | P21431 | P21430 | P21429 | P21428 | P21604 |
| E-35 | P18029 | | | | | P21423 | P21432 | P21431 | P21430 | P21429 | P21428 | P21604 |
| M-35 | P18029 | | | | | P21423 | P21450 | P21449 | P21448 | P21447 | P21446 | P21606 |
| E-40 | P18030 | | | | | P21425 | P21432 | P21431 | P21430 | P21429 | P21428 | P21604 |
| M-40 | P18030 | | | | | P21425 | P21450 | P21449 | P21448 | P21447 | P21446 | P21606 |
| E-50 | P18035 | P21426 | P21444 | P21443 | P21442 | P21441 | P21440 | P21439 | P21438 | P21437 | P21436 | P21605 |
| M-50 | P18035 | P21426 | P21462 | P21461 | P21460 | P21459 | P21458 | P21457 | P21456 | P21455 | P21454 | P21607 |
| COMPLETE LOCK ASSEMBLY NUMBERS | | | | | | | | | | | | |
| | | | 10 | 9 | 8 | 7 | 6 | 5 | 4 | 3 | 2 | 1 |
| | | | A14028 | A14030 | A14029 | A14032 | A14031 | A14015 | A14014 | A14013 | A14012 | A14011 |
| LOCK PIN AND SPRING ASSEMBLY NUMBERS | | | | | | | | | | | | |
| | | | A12015 | A12014 | A12015 | A12013 | A12012 | A12020 | A12027 | A12023 | A12004 | A12018 |
| COMPLETE SET OF PINS AND SPRINGS ONLY | | | | | | | | | | | | |
| CAT NO | FITS MODEL | | | | | | | | | | | |
| A12038 | E-25 / M-25 | | | | | | | | | | | |
| A12040 | E-30 | | | | | | | | | | | |
| A12041 | E-35 / M-35 | | | | | | | | | | | |
| A12042 | E-40 / M-40 | | | | | | | | | | | |
| A12043 | E-50 / M-50 | | | | | | | | | | | |
| BRASS DRIVE PIN(S) FOR ALL LOCK ASSEMBLIES IS P12022 EXCEPT FOR LOCK ASSEMBLY A14011 USES ROLL PIN P16513 | | | | | | | | | | | | |
| *FOR E-50 MODEL, SECTION 5 MARKINGS ARE 22-26 FT / SECTION 6 MARKINGS ARE 27-30 FT | | | | | | | | | | | | |

TRUCKER'S MEASURING STICK - E-15-1 REPAIR PARTS LIST



| MODEL | BASE CAP | 3 | 2 | 1 |
|------------------------|--------------------------------------|--------|--------|--------|
| E-15-1 | P18020 | P21345 | P21346 | A20288 |
| COMPLETE LOCK ASSY | | | A14014 | A14013 |
| LOCK PIN & SPRING ASSY | | | A12027 | A12023 |
| P12022 | BRASS DRIVE PINS FOR LOCK ASSEMBLIES | | | |
| P16055 | THUMB SCREW WITH WASHER | | | |
| A30348 | 4' SIDE ARM | | | |

RE TRE VER POLE - REPAIR PARTS LIST



| MODEL | BASE CAP | 7 | 6 | 5 | 4 | 3 | 2 | 1 | HOOK |
|--------------------|---|--------|--------|--------|--------|--------|--------|--------|--------|
| R-30 | P18027 | P21422 | P21405 | P21403 | P21401 | P21399 | P21397 | A20304 | A30140 |
| COMPLETE LOCK ASSY | | | A14031 | A14015 | A14014 | A14013 | A14012 | A14011 | |
| PIN & SPRING ASSY | | | | A12020 | A12027 | A12023 | A12004 | A12018 | |
| P12022 | BRASS DRIVE PIN FOR ALL LOCK ASSEMBLIES - EXCEPT A14011 | | | | | | | | |
| P16513 | A14011 LOCK ASSEMBLY USES ROLL PIN | | | | | | | | |
| A12040 | COMPLETE SET OF PINS AND SPRING ASSEMBLIES FOR R-30 | | | | | | | | |