

Product data sheet

Specifications

SQUARE D

Green Premium™



Safety switch, heavy duty, fusible,
30A, 4 wire, 3 pole, 1 neutral,
7.5hp, 240VAC/250VDC, NEMA 1

H321N

⚠ Discontinued on: Jun 23, 2023

⚠ Discontinued

Product availability: Non-Stock - Not normally stocked in distribution facility

Main

Product	Single Throw Safety Switch
Duty Rating	Heavy duty
Device Application	Heavy application
Disconnect Type	Fusible disconnect
Factory Installed Neutral	Neutral (factory installed)
Phase	3 phase
Number Of Poles	3
Current Rating	30 A
Voltage Rating	250 V DC 240 V AC
Enclosure Rating	NEMA 1 steel
Motor Power Hp	1.5 hp at 240 V AC 50-60 Hz for 1 phase motors 3 hp at 240 V AC 50-60 Hz for 3 phase motors 3 hp at 240 V AC 50-60 Hz for 1 phase motors 7.5 hp at 240 V AC 50-60 Hz for 3 phase motors 5 hp at 250 V DC

Complementary

Short-Circuit Current	10 kA for H or K 200 kA for R or J
Fuse Type	H or K R or J
Mounting Type	Surface
Electrical Connection	Lugs
Wiring Configuration	4-wire (3PH + G)
Wire Size	AWG 12...AWG 6 aluminium AWG 14...AWG 6 copper
Tightening Torque	45 lbf.in (5.08 N.m) 0.02 in ² (13.3 mm ²) (AWG 6) 40 lbf.in (4.52 N.m) 0.01 in ² (8.367 mm ²) (AWG 8) 35 lbf.in (3.95 N.m) 0.00...0.01 in ² (2.06...5.261 mm ²) (AWG 14...AWG 10)
Depth	4.88 in (123.95 mm)
Width	6.5 in (165.10 mm)
Height	14.6 in (370.84 mm)
Net Weight	8.82 lb(US) (4 kg)

Price is "List Price" and may be subject to a trade discount – check with your local distributor or retailer for actual price.

Environment

Certifications	UL listed file E2875
----------------	----------------------

Ordering and shipping details

Category	US10DE100008
----------	--------------

Discount Schedule	0DE1
-------------------	------

Gtin	785901480082
------	--------------

Returnability	No
---------------	----

Country Of Origin	US
-------------------	----

Packing Units

Unit Type Of Package 1	PCE
------------------------	-----

Number Of Units In Package 1	1
------------------------------	---

Package 1 Height	5.20 in (13.208 cm)
------------------	---------------------

Package 1 Width	7.70 in (19.558 cm)
-----------------	---------------------

Package 1 Length	16.20 in (41.148 cm)
------------------	----------------------

Package 1 Weight	8.00 lb(US) (3.629 kg)
------------------	------------------------

Unit Type Of Package 2	PAL
------------------------	-----

Number Of Units In Package 2	120
------------------------------	-----

Package 2 Height	45.50 in (115.57 cm)
------------------	----------------------

Package 2 Width	40.00 in (101.6 cm)
-----------------	---------------------

Package 2 Length	48.00 in (121.92 cm)
------------------	----------------------

Package 2 Weight	997.00 lb(US) (452.231 kg)
------------------	----------------------------

Contractual warranty

Warranty	18 months
----------	-----------

Sustainability

Green Premium™ label is Schneider Electric's commitment to delivering products with best-in-class environmental performance. Green Premium promises compliance with the latest regulations, transparency on environmental impacts, as well as circular and low-CO₂ products.

Guide to assessing product sustainability is a white paper that clarifies global eco-label standards and how to interpret environmental declarations.

[Learn more about Green Premium >](#)

[Guide to assess a product's sustainability >](#)



Transparency RoHS/REACH

Well-being performance

Mercury Free

Rohs Exemption Information Yes

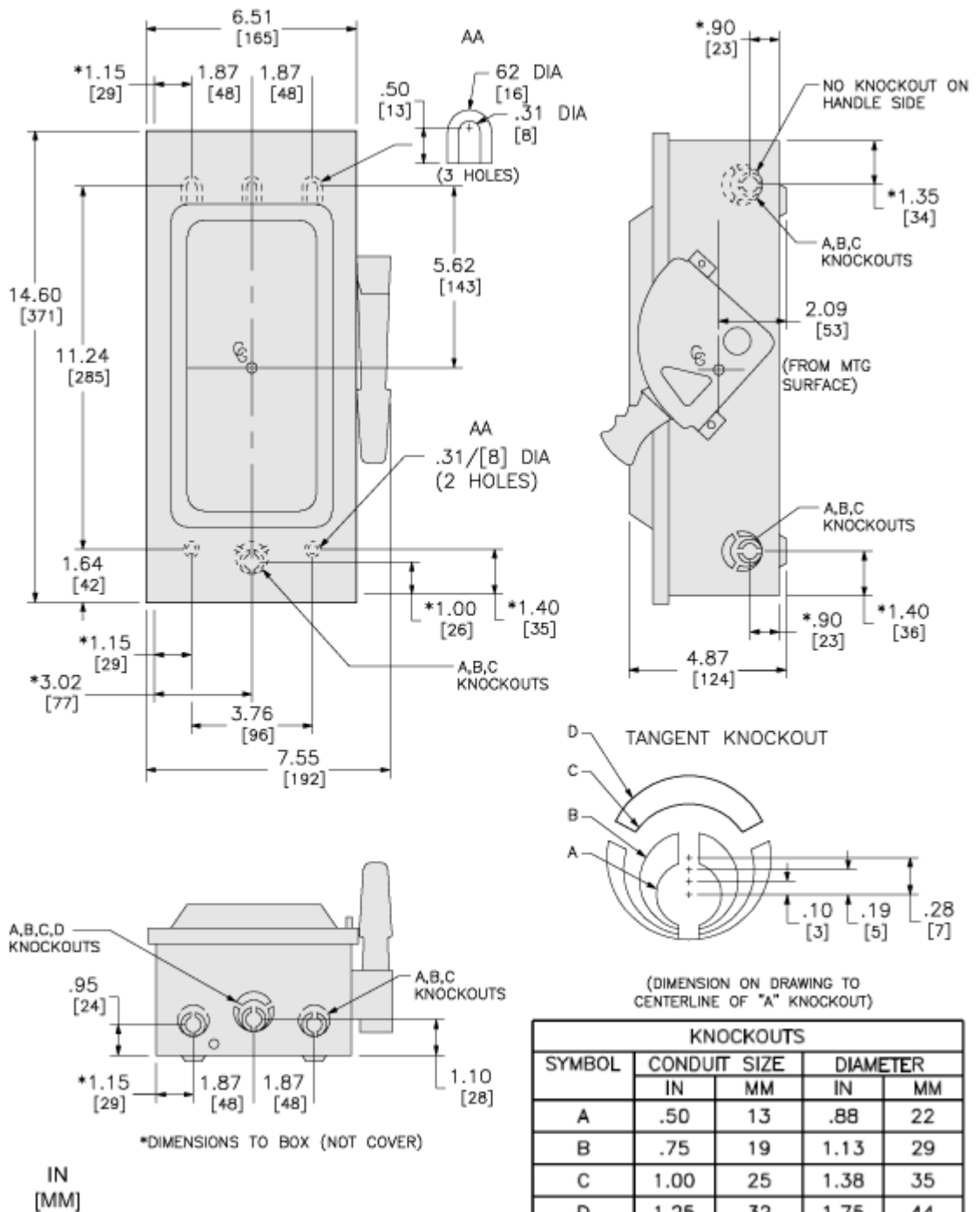
Pvc Free

Certifications & Standards

Reach Regulation	REACH Declaration
Eu Rohs Directive	Compliant with Exemptions
China Rohs Regulation	China RoHS declaration Product out of China RoHS scope. Substance declaration for your information.
Environmental Disclosure	Product Environmental Profile
Circularity Profile	No need of specific recycling operations
California Proposition 65	WARNING: This product can expose you to chemicals including: Lead and lead compounds, which is known to the State of California to cause cancer and birth defects or other reproductive harm. For more information go to www.P65Warnings.ca.gov

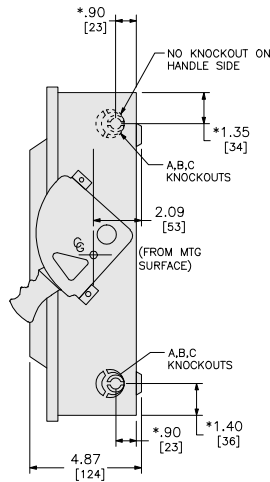
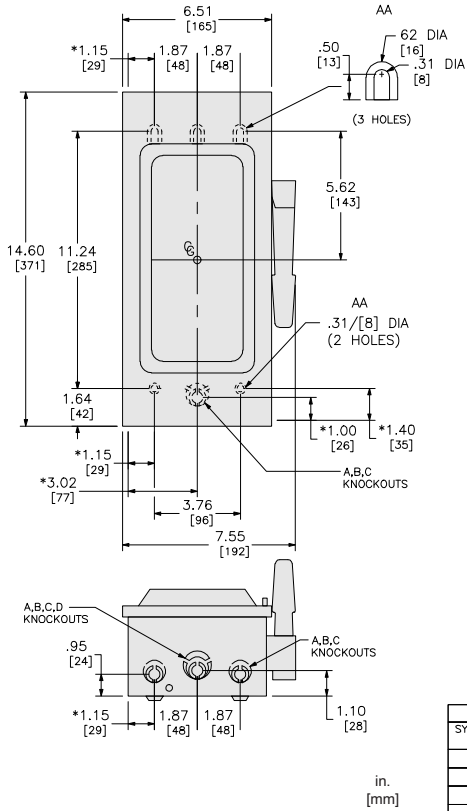
Dimensions Drawings

Approximate Dimensions



Technical illustration

Dimensions

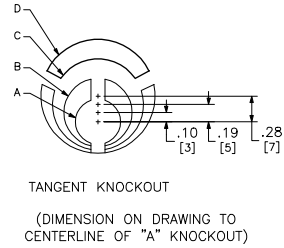


NEMA TYPE 1

*DIMENSIONS TO BOX (NOT COVER)

SEISMIC NOTES:
 USE (4) 1/4" DIA GRADE 5 STEEL MOUNTING BOLTS @ HOLES AA
 MAX CONFIGURED WEIGHT 10 LB FOR THE PURPOSE OF DETERMINING
 SEISMIC ANCHORAGE REQUIREMENTS. FOR ALL OTHER APPLICATIONS,
 CONTACT SQUARE D COMPANY.

SYMBOL	CONDUIT SIZE		DIAMETER	
	IN	MM	IN	MM
A	.50	13	.88	22
B	.75	19	1.13	29
C	1.00	25	1.38	35
D	1.25	32	1.75	44

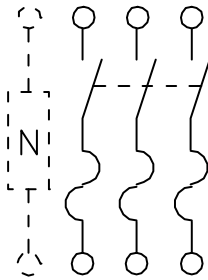


ALL DIMENSIONS ARE APPROXIMATE.
 REFER TO TECHNICAL DRAWINGS AND DOCUMENTATION

Technical illustration

Wiring diagram

FUSIBLE



H321N

H361

H361N