

Product data sheet

Specifications

SQUARE D

Green Premium™



Safety switch, heavy duty, fusible, 200A, 3 wire, 2 pole, 1 neutral, 60hp, 240VAC/250VDC, NEMA 3R, bolt on hub provision

H224NRB

! Discontinued

! Discontinued on: Jan 31, 2024

Product availability: Stock - Normally stocked in distribution facility

Main

Product	Single Throw Safety Switch
Duty Rating	Heavy duty
Device Application	Heavy application
Disconnect Type	Fusible disconnect
Factory Installed Neutral	Neutral (factory installed)
Phase	3 phase
Number Of Poles	2
Current Rating	200 A
Voltage Rating	250 V DC 240 V AC
Enclosure Rating	NEMA 3R galvanized steel
Motor Power Hp	15 hp at 240 V AC 50-60 Hz for 1 phase motors 25 hp at 240 V AC 50-60 Hz for 3 phase motors 60 hp at 240 V AC 50-60 Hz for 3 phase motors 40 hp at 250 V DC

Complementary

Short-Circuit Current	10 kA for H or K 200 kA for R or J
Fuse Type	H or K R or J
Mounting Type	Surface
Electrical Connection	Lugs
Wiring Configuration	3-wire
Wire Size	AWG 6...250 kcmil copper or aluminium
Tightening Torque	275 lbf.in (31.07 N.m) 0.02...0.20 in ² (13.3...127 mm ²) (AWG 6...250 kcmil)
Depth	8.5 in (215.90 mm)
Width	17.13 in (435.10 mm)
Height	29.25 in (742.95 mm)
Net Weight	54.50 lb(US) (24.72 kg)

Environment

Price is "List Price" and may be subject to a trade discount – check with your local distributor or retailer for actual price.

Certifications	UL listed file E2875
----------------	----------------------

Ordering and shipping details

Category	US10DE100009
Discount Schedule	0DE1
Gtin	785901478249
Returnability	No
Country Of Origin	US

Packing Units

Unit Type Of Package 1	PCE
Number Of Units In Package 1	1
Package 1 Height	8.50 in (21.59 cm)
Package 1 Width	19.60 in (49.784 cm)
Package 1 Length	30.70 in (77.978 cm)
Package 1 Weight	42.92 lb(US) (19.468 kg)
Unit Type Of Package 2	PAL
Number Of Units In Package 2	15
Package 2 Height	40.00 in (101.6 cm)
Package 2 Width	40.00 in (101.6 cm)
Package 2 Length	48.00 in (121.92 cm)
Package 2 Weight	644.58 lb(US) (292.376 kg)

Contractual warranty

Warranty	18 months
----------	-----------

Sustainability

Green Premium™ label is Schneider Electric's commitment to delivering products with best-in-class environmental performance. Green Premium promises compliance with the latest regulations, transparency on environmental impacts, as well as circular and low-CO₂ products.

Guide to assessing product sustainability is a white paper that clarifies global eco-label standards and how to interpret environmental declarations.

[Learn more about Green Premium >](#)

[Guide to assess a product's sustainability >](#)



Transparency RoHS/REACH

Well-being performance

Reach Free Of Svhc

Toxic Heavy Metal Free

Mercury Free

Rohs Exemption Information Yes

Pvc Free

Certifications & Standards

Reach Regulation

[REACH Declaration](#)

Eu Rohs Directive

Compliant

[EU RoHS Declaration](#)

China Rohs Regulation

[China RoHS declaration](#)

Pro-active China RoHS declaration (out of China RoHS legal scope)

Environmental Disclosure

[Product Environmental Profile](#)

Circularity Profile

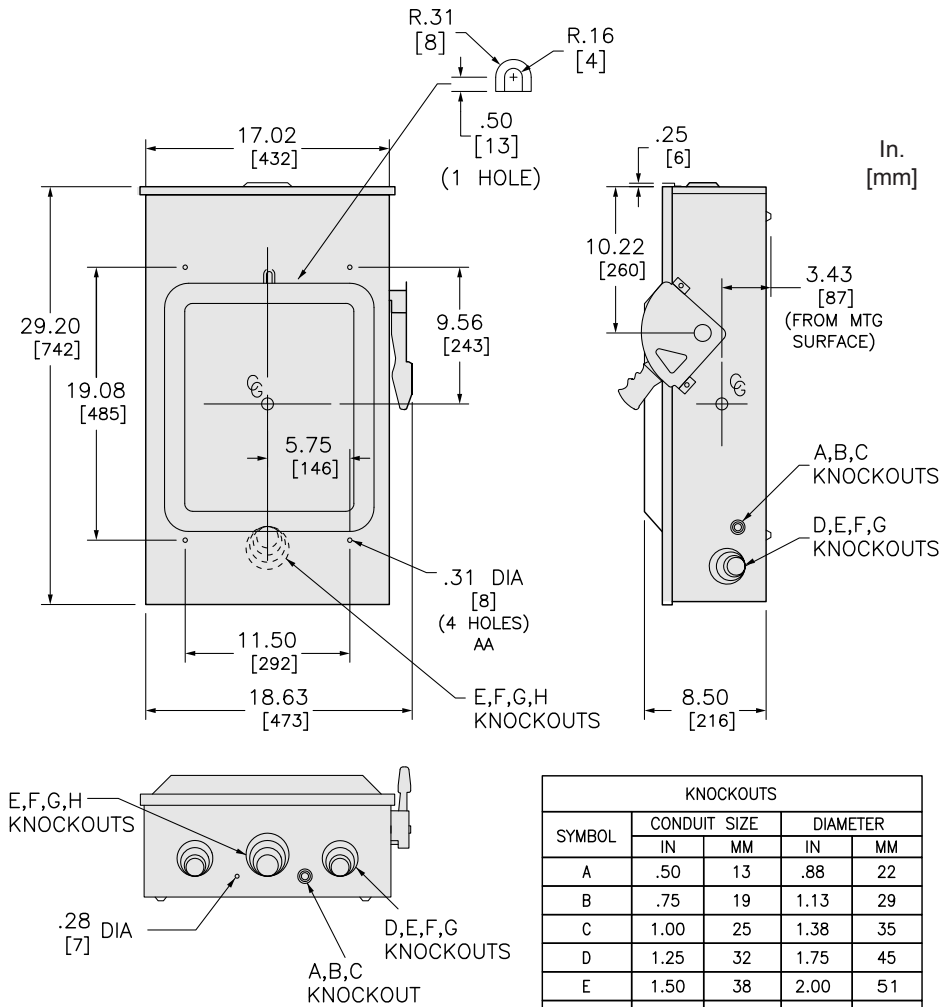
No need of specific recycling operations

California Proposition 65

WARNING: This product can expose you to chemicals including: Lead and lead compounds, which is known to the State of California to cause cancer and birth defects or other reproductive harm. For more information go to www.P65Warnings.ca.gov

Technical illustration

Dimensions

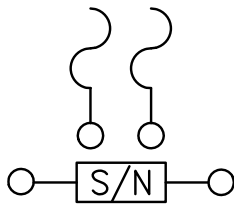
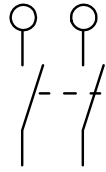


SYMBOL	KNOCKOUTS			
	CONDUIT SIZE		DIAMETER	
	IN	MM	IN	MM
A	.50	13	.88	22
B	.75	19	1.13	29
C	1.00	25	1.38	35
D	1.25	32	1.75	45
E	1.50	38	2.00	51
F	2.00	51	2.50	64
G	2.50	64	3.00	76
H	3.00	76	3.50	89

WHEN MOUNTING, ALLOW 4.00/[102] MIN. CLEARANCE BETWEEN ENCLOSURES FOR OPENING OF SIDE HINGED DOOR.
 TOP OF NEMA TYPE 3R DEVICES HAVE PROVISIONS FOR MAX 2.50/[64] BOLT-ON HUB.
 ALL DIMENSIONS ARE APPROXIMATE. REFER TO TECHNICAL DRAWINGS AND DOCUMENTATION FOR COMPLETE DETAILS.

Technical illustration

Wiring diagram



H224NRB