

SCREW CAPS

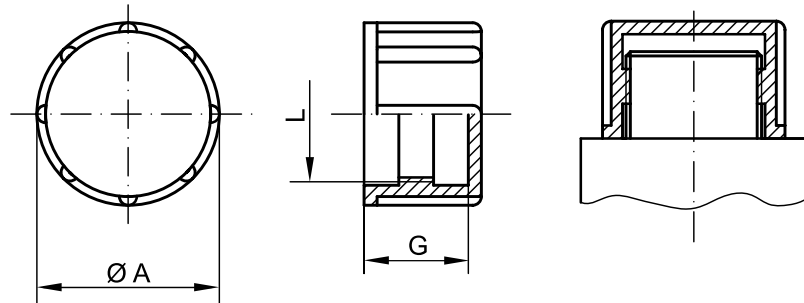
GPN 800

with metric threads

Free test samples:

+49 4442 982-9100

poeppelmann.com/en/gpn800



Standard colour: Yellow

Material: PE-HD



Better.

Suitable for a variety of different thread types. Easy-to-grip external rip for easy mounting and removal by hand.

Suitable for external

Dimensions

item	Thread L	A	G	Order no.
GPN 800 M 8	M 8	12	8	800 0008 0000
GPN 800 M 10	M 10	14	8	800 0010 0000
GPN 800 M 12	M 12	16	12	800 0012 0000
GPN 800 M 14	M 14	18	12	800 0014 0000
GPN 800 M 16	M 16	21	12	800 0016 0000
GPN 800 M 18	M 18	22	12	800 0018 0000
GPN 800 M 20	M 20	25	14	800 0020 0000
GPN 800 M 22	M 22	28	14	800 0022 0000
GPN 800 M 24	M 24	32	14	800 0024 0000
GPN 800 M 27	M 27	35	14	800 0027 0000
GPN 800 M 30	M 30	38	14	800 0030 0000
GPN 800 M 8 × 1	M 8 × 1	12	8	800 0810 0000
GPN 800 M 10 × 1	M 10 × 1	14	8	800 1010 0000
GPN 800 M 12 × 1	M 12 × 1	16	12	800 1210 0000
GPN 800 M 12 × 1.5	M 12 × 1.5	16	12	800 1215 0000
GPN 800 M 14 × 1.5	M 14 × 1.5	18	12	800 1415 0000
GPN 800 M 16 × 1.5	M 16 × 1.5	21	12	800 1615 0000
GPN 800 M 18 × 1.5	M 18 × 1.5	22	12	800 1815 0000
GPN 800 M 20 × 1.5	M 20 × 1.5	25	14	800 2015 0000
GPN 800 M 22 × 1.5	M 22 × 1.5	28	14	800 2215 0000
GPN 800 M 23 × 1.5	M 23 × 1.5	29	22	800 2315 0000
GPN 800 M 24 × 1.5	M 24 × 1.5	30	14	800 2415 0000
GPN 800 M 25 × 1.5	M 25 × 1.5	33	14	800 2515 0000
GPN 800 M 26 × 1.5	M 26 × 1.5	34	11	800 2615 0000
GPN 800 M 28 × 1.5	M 28 × 1.5	34.5	28	800 2815 0000
GPN 800 M 30 × 1.5	M 30 × 1.5	36	14	800 3015 0000
GPN 800 M 36 × 1.5	M 36 × 1.5	44	17	800 3615 0000
GPN 800 M 45 × 1.5	M 45 × 1.5	53	15	800 4515 0000
GPN 800 M 22 × 2	M 22 × 2	28	14	800 2220 0000
GPN 800 M 30 × 2	M 30 × 2	38	14	800 3020 0000
GPN 800 M 36 × 2	M 36 × 2	44	17	800 3620 0000
GPN 800 M 42 × 2	M 42 × 2	50	15	800 4220 0000
GPN 800 M 45 × 2	M 45 × 2	53	15	800 4520 0000
GPN 800 M 52 × 2	M 52 × 2	60	15	800 5220 0000

Size in mm

For information regarding materials, colours, drawings and the use of our items, please refer to pages 124/125.

You might also be interested in the following products: [GPN 205](#), [GPN 215](#), [GPN 802](#), [GPN 804](#)

SCREW CAPS

GPN 800

for pipe threads

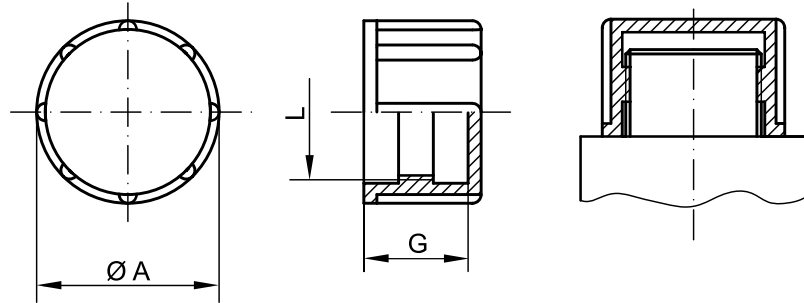
Standard colour: Yellow

Material: PE-HD

Free test samples:

+49 4442 982-9100

poeppelmann.com/en/gpn800



item	Suitable for external	Dimensions		Order no.
	Thread L	A	G	
GPN 800 G 1/8	G 1/8	14	8	800 0414 0000
GPN 800 G 1/4	G 1/4	18	12	800 0355 0000
GPN 800 G 3/8	G 3/8	21	12	800 0426 0000
GPN 800 G 1/2	G 1/2	25	14	800 0437 0000
GPN 800 G 5/8	G 5/8	28	14	800 0675 0000
GPN 800 G 3/4	G 3/4	32	14	800 3618 0000
GPN 800 G 1	G 1	39	14	800 3522 0000
GPN 800 G 1 1/4	G 1 1/4	47.7	17.7	800 3218 0000
GPN 800 G 1 1/2	G 1 1/2	56	17	800 7552 0000
GPN 800 G 2	G 2	68	18	800 6901 0000
GPN 800 G 2 1/2	G 2 1/2	80.9	18	800 3219 0000

Size in mm

For information regarding materials, colours, drawings and the use of our items, please refer to pages 124/125.

SCREW CAPS

GPN 800

with imperial threads

Standard colour: Yellow

Material: PE-HD

Suitable for external

Dimensions

item	Suitable for external	Dimensions		Order no.
	Thread L	A	G	
GPN 800 1/4 - 28 UNF	1/4 - 28 UNF	12	8	800 7207 0000
GPN 800 7/16 - 20 UNF	7/16 - 20 UNF	15	12	800 6455 0000
GPN 800 1/2 - 20 UNF	1/2 - 20 UNF	18	15	800 5950 0000
GPN 800 9/16 - 18 UNF	9/16 - 18 UNF	18	12	800 6456 0000
GPN 800 5/8 - 18 UNF	5/8 - 18 UNF	19.3	14.2	800 3182 0000
GPN 800 3/4 - 16 UNF	3/4 - 16 UNF	24	18	800 5948 0000
GPN 800 13/16 - 16 UN	13/16 - 16 UN	26	12	800 3160 0000
GPN 800 7/8 - 14 UNF	7/8 - 14 UNF	27	20	800 5947 0000
GPN 800 1 - 14 UNS	1 - 14 UNS	33	14	800 7210 0000
GPN 800 1 1/16 - 12 UN	1 1/16 - 12 UN	34	23	800 5946 0000
GPN 800 1 1/16 - 16 UN	1 1/16 - 16 UN	34	14	800 7212 0000
GPN 800 1 3/16 - 20 UN	1 3/16 - 20 UN	38	14	800 7214 0000
GPN 800 1 1/4 - 12 UNF	1 1/4 - 12 UNF	38	14	800 7215 0000
GPN 800 1 5/16 - 12 UN	1 5/16 - 12 UN	40	24	800 5945 0000
GPN 800 1 5/8 - 12 UN	1 5/8 - 12 UN	50	17	800 7217 0000
GPN 800 1 7/8 - 12 UN	1 7/8 - 12 UN	55	17	800 7221 0000
GPN 800 2 1/4 - 12 UN	2 1/4 - 12 UN	66	18	800 7225 0000
GPN 800 2 1/2 - 12 UN	2 1/2 - 12 UN	72	18	800 7226 0000

Size in mm

For information regarding materials, colours, drawings and the use of our items, please refer to pages 124/125.