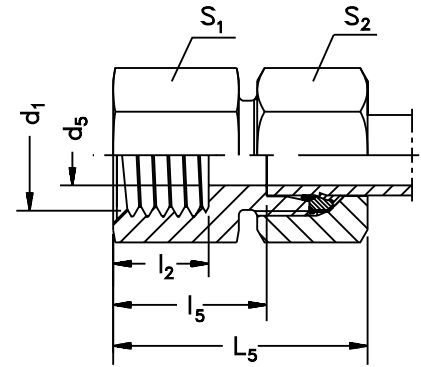


Female Connector

GAI-R

Metric Tube End / Female BSPP Thread



| Part no. | Series Working Pressure (bar/psi) | Tube o.d. | Connection BSPP thread d1 | d5 | l2 | l5 | L5 | S1 | S2 | Standard Material From Stock | | | Standard EO-2 From Stock | |
|---------------|-----------------------------------|-----------|---------------------------|----|------|------|----|----|----|------------------------------|----|---|--------------------------|----|
| | | | | | | | | | | S | SS | B | S | SS |
| GAI06LRA3C | L 315 bar 4560 psi | 6 | G 1/8 | 4 | 12 | 19 | 34 | 14 | 14 | • | • | • | • | • |
| GAI08LRA3C | | 8 | G 1/4 | 6 | 17 | 24 | 39 | 19 | 17 | • | • | • | • | • |
| GAI08LR3/8A3C | | 8 | G 3/8 | 6 | 17 | 25 | 40 | 24 | 17 | • | • | • | • | • |
| GAI08LR1/2A3C | | 8 | G 1/2 | 6 | 20 | 29 | 44 | 27 | 17 | • | • | • | • | • |
| GAI10LRA3C | | 10 | G 1/4 | 8 | 17 | 25 | 40 | 19 | 19 | • | • | • | • | • |
| GAI10LR3/8A3C | | 10 | G 3/8 | 8 | 17 | 26 | 41 | 24 | 19 | • | • | • | • | • |
| GAI10LR1/2A3C | | 10 | G 1/2 | 8 | 20 | 30 | 45 | 27 | 19 | • | • | • | • | • |
| GAI12LRA3C | | 12 | G 3/8 | 10 | 17 | 26 | 41 | 24 | 22 | • | • | • | • | • |
| GAI12LR1/2A3C | | 12 | G 1/2 | 10 | 20 | 30 | 45 | 27 | 22 | • | • | • | • | • |
| GAI15LRA3C | | 15 | G 1/2 | 12 | 20 | 31 | 46 | 27 | 27 | • | • | • | • | • |
| GAI18LRA3C | 18 | G 1/2 | 15 | 20 | 30.5 | 47 | 27 | 32 | • | • | • | • | • | |
| GAI22LRA3C | 160 bar | 22 | G 3/4 | 19 | 22 | 35.5 | 52 | 36 | 36 | • | • | • | • | • |
| GAI28LRA3C | 2320 psi | 28 | G 1 | 24 | 24.5 | 38 | 55 | 41 | 41 | • | • | • | • | • |
| GAI35LRA3C | | 35 | G 1 1/4 | 30 | 26.5 | 41 | 63 | 55 | 50 | • | • | • | • | • |
| GAI42LRA3C | | 42 | G 1 1/2 | 36 | 28.5 | 42.5 | 65 | 60 | 60 | • | • | • | • | • |
| GAI06SRA3C | S 400 bar 5800 psi | 6 | G 1/4 | 4 | 17 | 26 | 41 | 19 | 17 | • | • | • | • | • |
| GAI08SRA3C | | 8 | G 1/4 | 5 | 17 | 26 | 41 | 19 | 19 | • | • | • | • | • |
| GAI10SRA3C | | 10 | G 3/8 | 7 | 17 | 26.5 | 43 | 24 | 22 | • | • | • | • | • |
| GAI12SRA3C | | 12 | G 3/8 | 8 | 17 | 26.5 | 43 | 24 | 24 | • | • | • | • | • |
| GAI14SRA3C | | 14 | G 1/2 | 10 | 20 | 32 | 50 | 30 | 27 | • | • | • | • | • |
| GAI16SRA3C | | 16 | G 1/2 | 12 | 20 | 31.5 | 50 | 30 | 30 | • | • | • | • | • |
| GAI20SRA3C | 315 bar | 20 | G 3/4 | 16 | 22 | 34.5 | 56 | 36 | 36 | • | • | • | • | • |
| GAI25SRA3C | 4560 psi | 25 | G 1 | 20 | 24.5 | 37.5 | 62 | 41 | 46 | • | • | • | • | • |
| GAI30SRA3C | | 30 | G 1 1/4 | 25 | 26.5 | 42 | 69 | 55 | 50 | • | • | • | • | • |
| GAI38SRA3C | 250 bar 3625 psi | 38 | G 1 1/2 | 32 | 28.5 | 43.5 | 74 | 60 | 60 | • | • | • | • | • |

Dimensions given approx. figures with tightened nut.

EO-2 Part Number example: GAI06ZLRA3C

