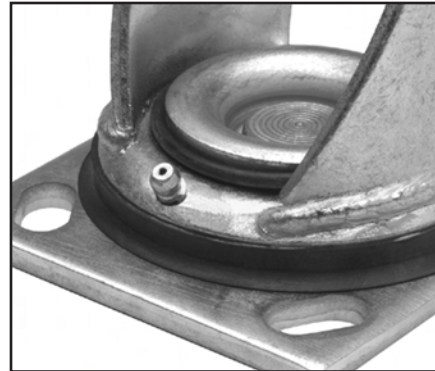


Grease Seal Kits

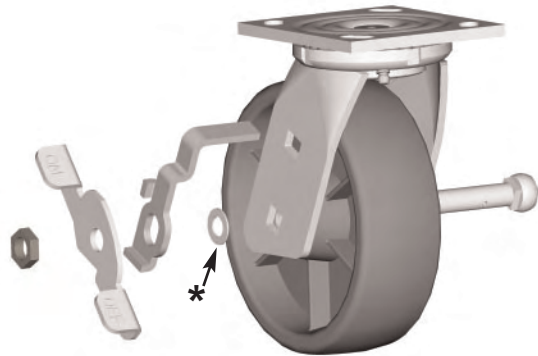
Grease seal holds in lubricant, reduces friction for free swiveling in contaminated environments. Field mountable.



Desc.	Order No.
Series 1400	32279
Series S1400	32293

Rollock Brake Kits

Effective gripping action across the tread keeps wheel from rolling. Field mountable. For use with Series E, 400, 1400.



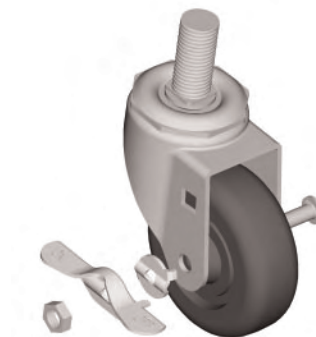
* Washer has been eliminated from use in 400 Series.

Desc.	Order No.	Stainless Order No.
20 RB Kit	32272	-
21 RB Kit	32273	-
22 RB Kit	32274	-
400-3RB Kit	32286	-
400-3½ RB Kit	32284	-
400-4 RB Kit	32275	-
400-5 RB Kit	32276	-
1400-4 RB Kit	32280	32294
1400-5 RB Kit	32277	32295
1400-6 RB Kit	32278	32296
1400-8 RB Kit	32281	32297

Side Friction Brake Kits

Cam style compression brake for use in E-Series Casters.

Desc.	Order No.
21-22 E Brake Kit	32271



NOTE: Refer to page 29 for Rubber Expansion Sockets