



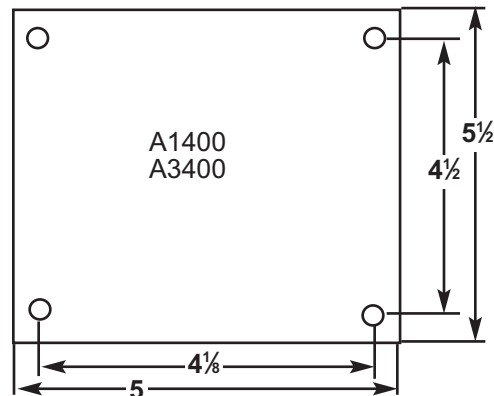
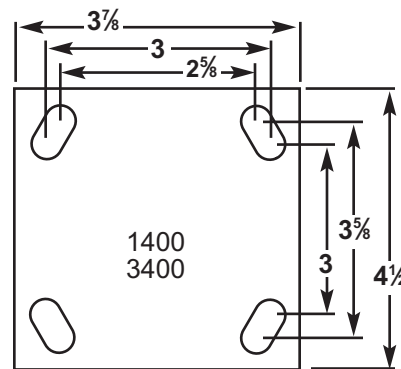
Series 1400-3400

Load Capacity 300-1,050 Lbs. Each Caster



This series is the everyday workhorse of our caster line. Its versatility with a broad wheel selection makes it ideal for most general medium-heavy duty industrial applications, such as platform trucks, wire shelving, and other warehouse trucks and carts for commercial use.

- **Top Plate** — Made from $\frac{1}{4}$ " carbon steel, heat treated to give added strength
- **Upper Raceway** — Coined $\frac{5}{16}$ " raceway provides top performance under maximum rated loads
- **Lower Raceway** — $\frac{1}{4}$ " diameter, hardened ball bearings roll freely in a hardened raceway
- **Kingpin** — Cold headed $\frac{3}{4}$ " diameter kingpin holds raceways precisely in alignment
- **Horn Side Members** — Formed steel is welded to cold formed steel upper raceway
- **Wheel Bearings** — Plain, self-lubricating or roller bearings and precision bearings are available
- **Lubrication** — Fittings are installed for both swivel raceway and wheel bearings as required
- **Finish** — Corrosion-resistant zinc



Optional Top Plate:
Add A Prefix - Ex: A1431-6

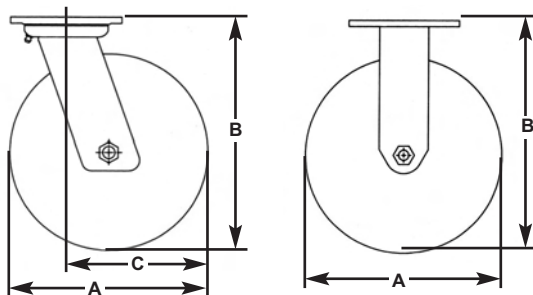
Refer to page 31 for wheel selections.

CASTERS

Series 1400-3400

Load Capacity 300-1,050 Lbs. Each Caster

Wheel Dia. (In.)	Tread Width (In.)	Wheel Material	Wheel Bearing	Load Rating (Lbs.)	Swivel Caster Desc.	Order No.	Rigid Caster Desc.	Order No.
6	2	K-Wheel	Roller	900	1441-6x2	26690	3441-6x2	27047
		K-Wheel	Precision	900	1443-6x2	26899	3443-6x2	27531
		Polypropylene	Plain	550	1460-6x2	26885	3460-6x2	27077
		Polypropylene	Roller	550	1461-6x2	26910	3461-6x2	27081
		Dyna-Tred TPR	Delrin	550	1490-6x2	26725	3490-6x2	27028
		Dyna-Tred TPR	Roller	550	1491-6x2	26723	3491-6x2	27155
		Dyna-Tred TPR	Precision	550	1493-6x2	26486	3493-6x2	27398
		Dyna-Tred PU	Delrin	900	1496-6x2	26728	3496-6x2	27031
		Dyna-Tred PU	Roller	900	1498-6x2	26986	3498-6x2	27037
		Dyna-Tred PU	Precision	900	1499-6x2	26771	3499-6x2	27102
		Phenolic	Delrin	900	1430-6x2	26809	3430-6x2	27154
		Phenolic	Roller	900	1431-6x2	26817	3431-6x2	27116
		Ballon	Ball	300	1416-6x2	26801	3416-6x2	27084
8	2	Semi-Steel	Roller	1050	1406-8x2	26813	3406-8x2	27125
		Mold-On Rubber	Roller	500	1418-8x2	26823	3418-8x2	27112
		RT-Wheel - Standard	Delrin	675	1464W-8x2	26228	3464W-8x2	27464
		RT-Wheel -HighTemp.	H.T. Bushing	675	1464W-HT-8x2	26409	3464W-HT-8x2	27496
		RT-Wheel - Standard	Roller	1050	1465W-8x2	26231	3465W-8x2	27467
		RT-Wheel -HighTemp.	Roller	1050	1465W-HT-8x2	26410	3465W-HT-8x2	27497
		RT-Wheel - Standard	Precision	1050	1467W-8x2	26234	3467W-8x2	27470
		RT-Wheel -HighTemp.	Precision	1050	1467W-HT-8x2	26411	3467W-HT-8x2	27498
		Mold-On Polyurethane	Roller	1000	1438-8x2	26829	3438-8x2	27130
		K-Wheel	Delrin	1050	1440-8x2	26776	3440-8x2	27044
		K-Wheel	Roller	1050	1441-8x2	26694	3441-8x2	27048
		K-Wheel	Precision	1050	1443-8x2	26900	3443-8x2	27532
		Polypropylene	Plain	600	1460-8x2	26907	3460-8x2	27078
		Polypropylene	Roller	600	1461-8x2	26911	3461-8x2	27082
		Duraflex	Roller	500	1481-8x2	26979	3481-8x2	27161
		Dyna-Tred TPR	Delrin	700	1490-8x2	26726	3490-8x2	27029
		Dyna-Tred TPR	Roller	700	1491-8x2	26984	3491-8x2	27035
		Dyna-Tred TPR	Precision	700	1493-8x2	26920	3493-8x2	27537
		Dyna-Tred PU	Delrin	1000	1496-8x2	26729	3496-8x2	27032
		Dyna-Tred PU	Roller	1000	1498-8x2	26987	3498-8x2	27038
		Dyna Tred PU	Precision	1000	1499-8x2	26921	3499-8x2	27538
Phenolic	Delrin	1050	1430-8x2	26548	3430-8x2	25053		
Phenolic	Roller	1050	1431-8x2	26818	3431-8x2	27118		



Mounting Bolt Diameter — $\frac{3}{8}$ "

Axle Size — $\frac{1}{2}$ "

Wheel Diameter (A)	4"	5"	6"	8"
Overall Height (B)	5 $\frac{5}{8}$ "	6 $\frac{1}{2}$ "	7 $\frac{1}{2}$ "	9 $\frac{1}{2}$ "
Swivel Radius (C)	3 $\frac{3}{4}$ "	4 $\frac{1}{4}$ "	5"	6 $\frac{1}{2}$ "

OPTIONS:

1. Rollock Brake (Add RB Suffix - Ex: 1491-6RB)
See accessory page 6
2. Grease Seals (Add GS Suffix - Ex: 1491-6GS)
See accessory page 6
3. Cam Style Brake (Add SB Suffix - Ex: 1491-6SB)
See accessory page 7
4. Thread Guard, contact factory (Add TG suffix - Ex: 1491-6TG)
5. PL4 Field Mountable Four Position Swivel Lock available. See accessory page 7
6. Total Lock (Add TB Suffix - Ex: 1491-6TB) See accessory page 7