



StreamLine® Low Profile Mini Sounder

Model LP4

PERFECT SIZE MEETS SUPERIOR PERFORMANCE!

- Operates on 9–28VDC
- Choice of 28 tones
- Produces 82–100dBA @ 10' (92–110dBA @ 1m)
- Compact size – 3" tall x 3.66" wide
- Panel or wall mount
- PLC compatible
- CE Compliant
- Type 4X, IP54 (IP65 with optional deep base)

Federal Signal introduces the Model LP4 low profile, electronic piezo sounder. The LP4 is a compact multi-tone sounder ideal for OEM and general alarm applications.

The low voltage LP4 provides the user with the choice of 28 different tones, switch selectable during installation. Each electrical connection has two terminals for looping in and out, eliminating the need for a separate terminal block and therefore, making installation easier. A second tone is available if a third wire is installed and connected to the second tone terminals.

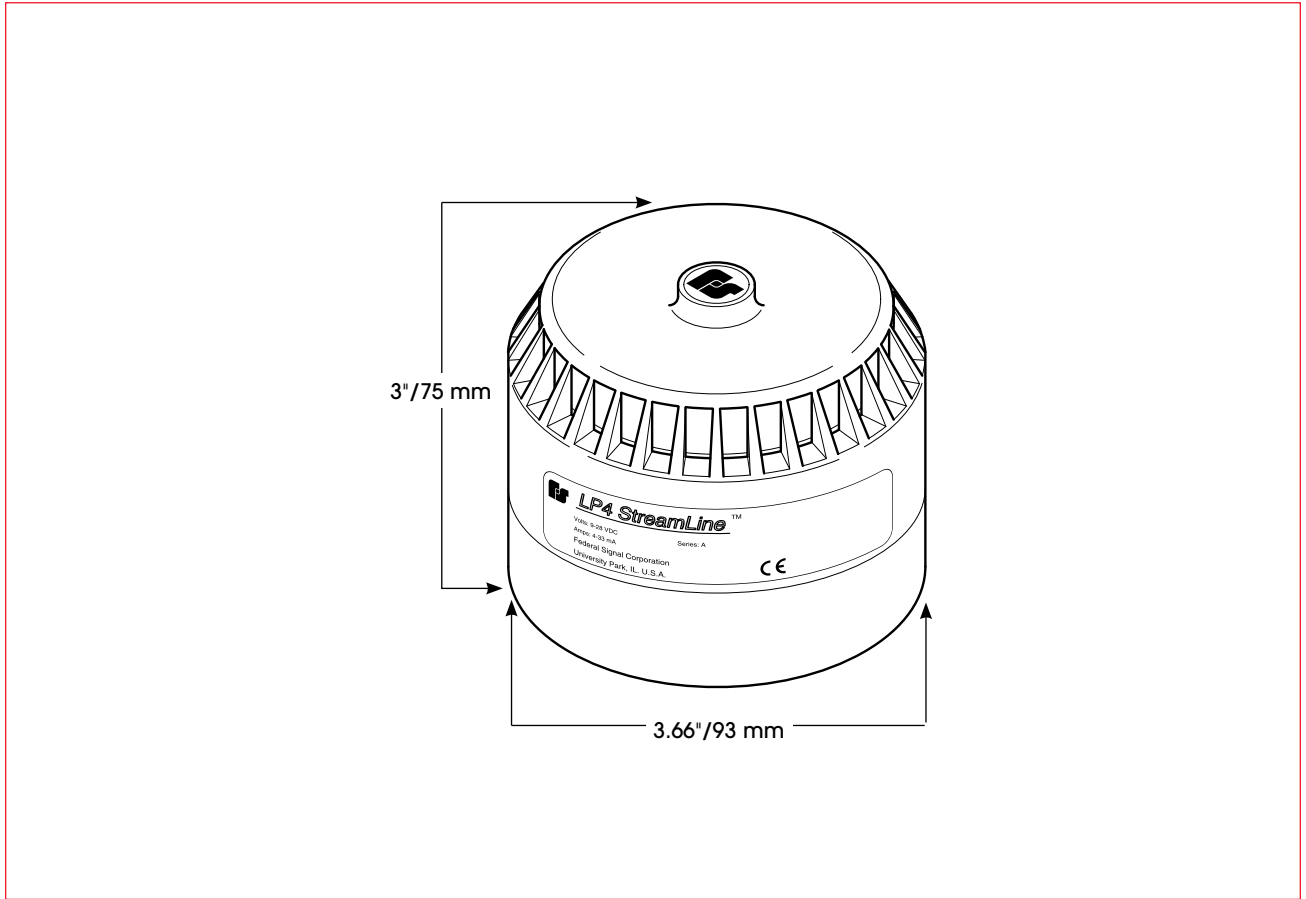
The LP4 sounder operates on a voltage range of 9–28VDC without the need for adjustment. The dBA output ranges from 82-100dBA at 10 feet (92–110dBA @ 1m) depending on the tone selected. The volume control provides for 20dBA of adjustment. Due to its low current consumption, the LP4 is PLC compatible.

The rugged White ABS casing provides a high degree of strength and protection from the elements. The operating temperature range of -13°F to 158°F (-25°C to 70°C) allows for use in a wide range of environments. The shallow base provides for flush mount wiring, and features a unique twist assembly for easy installation. A deep base with knockouts is available as an option.

Model	Voltage	Operating Current	Decibels @	
			10'	1m
LP4-09-028	9-28VDC	3-33 mA	82-100	92-110



STREAMLINE® LOW PROFILE MINI SOUNDER (LP4)



SPECIFICATIONS

Operating Temperature:	-13°F to 158°F	-25°C to 70°C
Net Weight:	10.0 oz.	0.283 kg
Shipping Weight:	10.3 oz.	0.29 kg
Height (from bottom):	3.0"	75.0 mm
Diameter:	3.66"	93.0 mm

HOW TO ORDER

- Specify model and voltage

ACCESSORIES

<u>Description</u>	<u>Part Number</u>
Deep Base, White (1.88" D x 3.63" W)	DBLP