

# Fireball® Strobe Warning Light

## Model FB2PST and FB2PST-I



### LIGHT DUTY STROBE LIGHT

- Available in 12-24VDC, 120VAC and 240VAC
- Five dome colors
- 10,000 hour strobe tube
- Integrated 1/2-inch NPT pipe and surface mount
- Indoor/outdoor use
- Type 4X, IP66 enclosure
- UL and cUL Listed and CSA Certified

Federal Signal's brightest and most compact strobe light, the Fireball® emits a powerful "lightning bolt" flash of light. Approximately five inches tall and four inches in diameter and rated at 300 effective candela, the Fireball is an economical solution to a wide variety of stationary and vehicular warning requirements. The Fireball is available in 12-24VDC, 24VDC, 120VAC and 240VAC. All models are UL Listed and CSA Certified. The FB2PST is available in five colors: Amber, Blue, Clear, Green and Red.

The 24VDC Model FB2PST-I features a voltage in-rush limiting PCB design that provides greater compatibility with factory automation control systems and less electrical interference with in-rush sensitive devices.

The Fireball features a unique dome that twists off easily for quick dome and lamp replacements. The base features an integrated 1/2-inch NPT pipe mount base as well as the three holes required for surface mount configurations. Black epoxy paint is electrostatically applied to the base for superior corrosion resistance. The Fireball dome and base design provides a water-tight, dust-tight and corrosion-resistant Type 4X rating.

The FB2PST is designed for stationary pipe and surface mount applications.

The Fireball can be used in any application where a superior visual signal is needed. It is especially effective in industrial hazard warning, process control, status indication and in areas with high ambient noise levels.

Federal Signal's Fireball strobe is a very low-maintenance warning light for industrial applications where a vibration-resistant light is required to signal an emergency or process status.

Model	Voltage	Operating Current	Flash Rate/Minute	Candela Peak <sup>1</sup>	Candela ECP <sup>2</sup>	Mount
<b>FB2PST-012-024 *</b>	12-24VDC	1.70-0.70 amps	80	1,000,000	300	1/2" NPT Pipe/Surface
<b>FB2PST-I-024 *</b>	24VDC	0.70 amps (2.0 amp In-rush)	80	1,000,000	300	1/2" NPT Pipe/Surface
<b>FB2PST-120 *</b>	120VAC 50/60Hz	0.25 amps	90	1,000,000	300	1/2" NPT Pipe/Surface
<b>FB2PST- 240 *</b>	240VAC 50/60Hz	0.20 amps	90	1,000,000	300	1/2" NPT Pipe/Surface

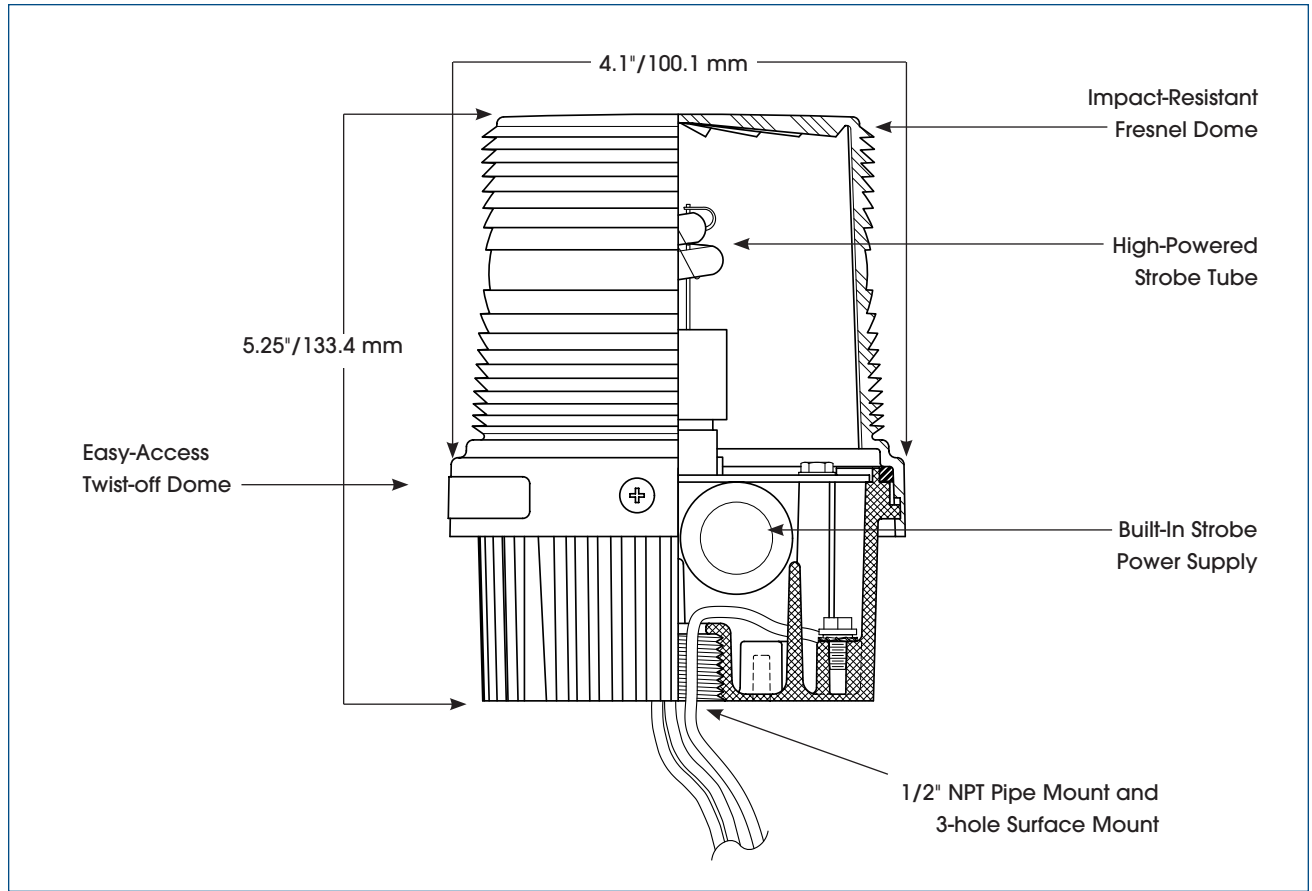


\* Indicates color: (A) Amber, (B) Blue, (C) Clear, (G) Green or (R) Red

<sup>1</sup> Peak candela is the maximum light intensity generated by a flashing light during its light pulse

<sup>2</sup> ECP (Effective Candela) is the intensity that would appear to an observer if the light were burning steadily

## FIREBALL® STROBE WARNING LIGHT (FB2PST / FB2PST-I)



### SPECIFICATIONS

Lamp Life:	10,000 Hours	10,000 Hours
Light Source:	Strobe tube	Strobe tube
Operating Temperature:	-31°F to 150°F	-35°C to 66°C
Net Weight:	2.0 lbs.	0.9 kg
Shipping Weight:	2.12 lbs.	0.96 kg
Height:	5.25"	133.4 mm
Diameter:	4.10"	100.1 mm

### HOW TO ORDER

- Specify model, voltage and color
- Optional Accessories:  
 Corner Bracket (LCMB2)\*  
 Wall Bracket (LWMB2)\*  
 Hazardous Location Mounting Bracket (LHWB)

\* Not Type 4X rated.

### REPLACEMENT PARTS

<u>Description</u>	<u>Part Number</u>	<u>Description</u>	<u>Part Number</u>
Dome, Amber	K8550320A	PC Assembly, 120VAC	K200D866G
Dome, Blue	K8550320A-01	PC Assembly, 240VAC	K200D866G-01
Dome, Clear	K8550320A-02	Strobe Tube, Series A4, A5, B	K8107177A
Dome, Green	K8550320A-03		
Dome, Magenta	K8550320A-05		
Dome, Red	K8550320A-04		