

# Resonating Horns

## Models 55 and 56



### DESIGNED FOR HIGH AMBIENT NOISE AREAS

- Resonated column of air generates sound
- Model 55 produces 105dBA @ 10' (115dBA @ 1m)
- Model 56 produces 106dBA @ 10' (116dBA @ 1m)
- Indoor/outdoor use
- Models 55 and 56 are FM Approved
- Model 55 (120VAC) is UL Listed and CSA Certified

The Federal Signal Models 55 and 56 are electric horns that produce sound by means of a diaphragm, which resonates a column of air. Because the output is greater than that of a vibrating horn resonating horns can be used wherever a louder, more powerful signal is required.

Both models feature corrosion-resistant cast aluminum housings with a brass projector. These projectors are designed to match the frequency of the vibrating diaphragm to produce a smooth musical tone. The housings are tapped for 1/2" conduit (swivel bracket included).

Models 55 and 56 are finished in gray enamel and equipped with a straight projector. These weatherproof horns are water and dust-tight when installed with conduit.

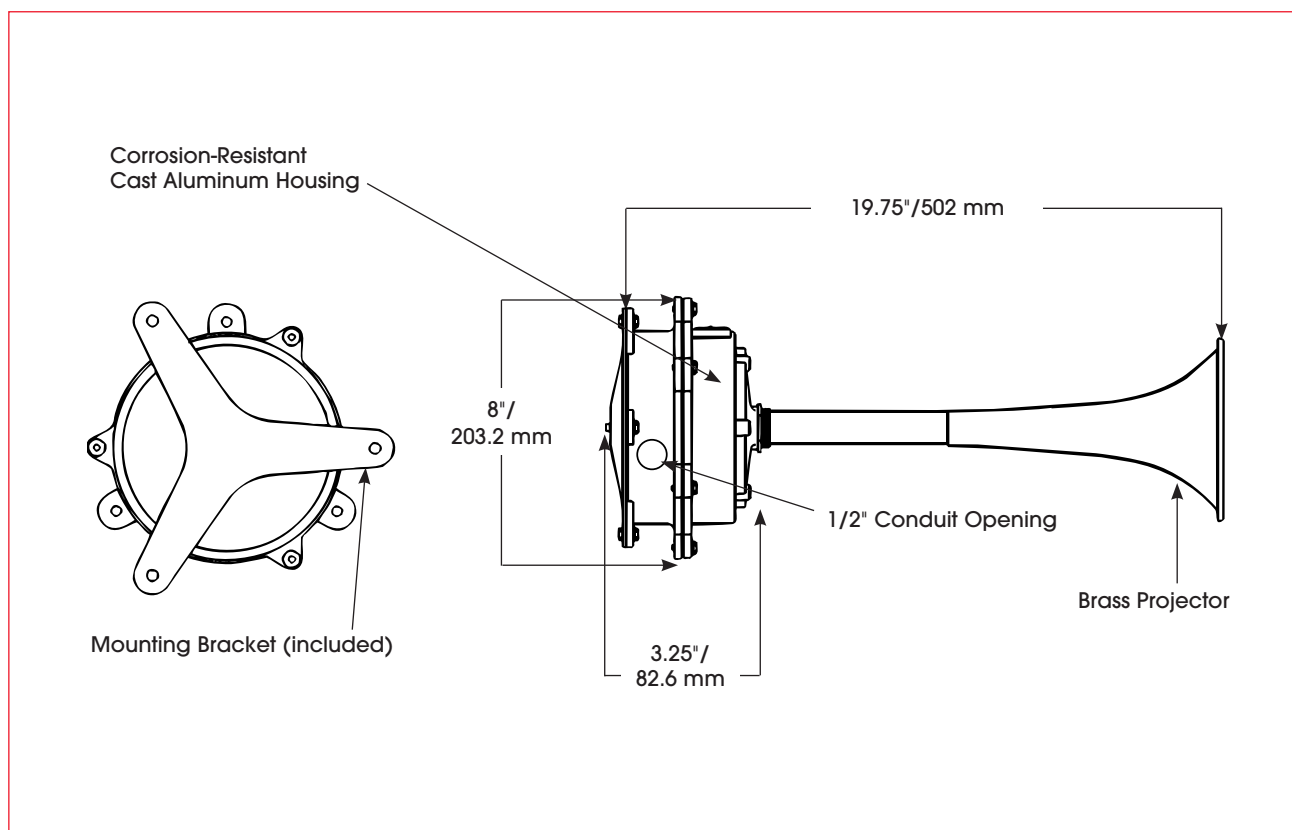
Model 55 is also UL Listed for indoor/outdoor use. Both models are FM Approved. Models 55 and 56 have a duty cycle of five minutes on, five minutes off.

Models 55 and 56 are ideal for both indoor and outdoor use. They require minimum maintenance; their rugged designs seal out corrosive dust and vapors. Both models have sufficient output to penetrate through high ambient noise levels.

Model	Voltage	Operating Current	Decibels @	
			10'	1m
55-024-1	24VAC 60Hz	3.00 amps	105	115
55-120-1	120VAC 60Hz	0.75 amps	105	115
56-024-1	24VDC	3.00 amps	106	116
56-125-1	125VDC	0.25 amps	106	116
56-250-1	250VDC	0.25 amps	106	116



## RESONATING HORNS (55/56)



### SPECIFICATIONS

Operating Temperature:	-35°F to 150°F	-37°C to 66°C
Net Weight:	5.0 lbs.	2.3 kg
Shipping Weight:	6.2 lbs.	2.8 kg
Height:	8.0"	203.2 mm
Width:	8.0"	203.0 mm
Length:	19.75"	502.0 mm
Duty Cycle:	5 minutes ON/5 minutes OFF	

### HOW TO ORDER

- Specify model and voltage

### REPLACEMENT PARTS

<u>Description</u>	<u>Part Number</u>
Projector	K8283C071-0G
Mounting Bracket and Bulk Head Accessory Kit	K8233A046-0G
Coil, 120VAC	KFC456