

Explosion-Proof Vibrating Horns

Models 31X and 41X



DESIGNED FOR USE IN EXPLOSION-PROOF ATMOSPHERES

- Corrosion-resistant cast aluminum housings
- Produces 100dBA @ 10' (110dBA @ 1m)
- UL and cUL Listed and CSA Certified
- Rated for Class I, Division 1, Groups C & D; Class II, Division 1, Groups E, F, and G; and Class III

These Federal Signal explosion-proof vibrating horns are constructed for safe use in hazardous environments. They are enclosed in heavy-duty copper-free cast aluminum housings tapped for 3/4-inch conduit.

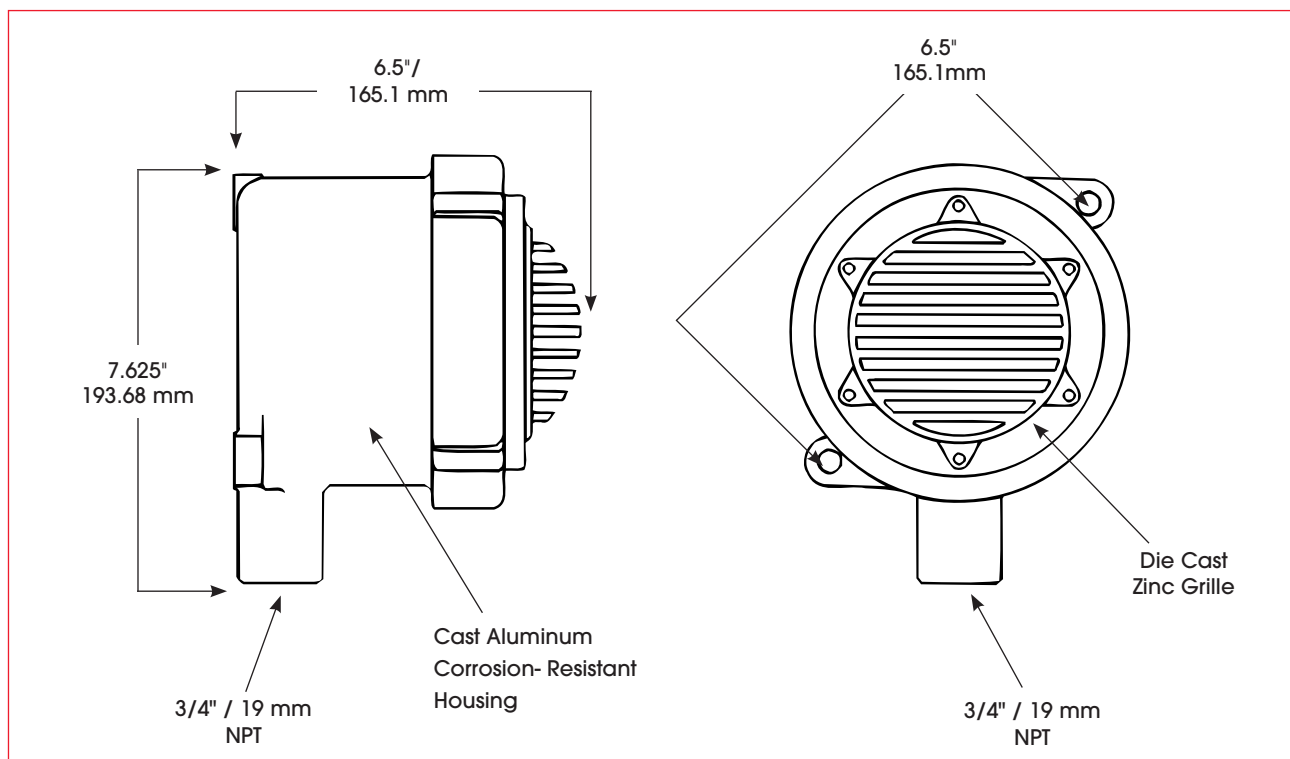
Federal Signal Models 31X and 41X are corrosion-resistant vibrating horns with stainless steel diaphragms. Model 41X is available in 24VDC. The Model 31X is available in 120VAC and 240VAC and features an internal volume control.

The 31X and 41X models are UL and cUL Listed for Class I, Division 1, Groups C & D; Class II, Division 1, Groups E, F, and G; and Class III. Both are CSA (Canadian Standards Association) Certified. A five minute duty cycle applies to both models.

Model	Voltage	Operating Current	Decibels @	
			10'	1m
31X-120-3	120VAC 50/60Hz	0.20 amps	99	110
31X-240	240VAC 50/60Hz	0.10 amps	99	110
41X-024-1	24VDC	1.20 amps	99	110



EXPLOSION-PROOF HORNS (31X/41X)



SPECIFICATIONS

Operating Temperature:	-31°F to 150°F	-35°C to 66°C
Net Weight:		
31X	7.5 lbs.	3.4 kg
41X	9.0 lbs.	4.1 kg
Shipping Weight:		
31X	8.1 lbs.	3.7 kg
41X	10.3 lbs.	4.7 kg
Height:		
31X	7.625"	193.68 mm
41X	7.625"	193.68 mm
Depth:		
31X	6.5"	165.1 mm
41X	6.5"	165.1 mm
Diameter:		
31X	6.5"	165.1 mm
41X	6.5"	165.1 mm

HOW TO ORDER

- Specify model and voltage

REPLACEMENT PARTS

<i>Description</i>	<i>Part Number</i>
Cover Grille, Gray	KH6962J-01
Coil 31X, 120VAC	KFC1516C
Coil 31X, 240VAC	KFC1506C