



SelecTone® Audible Signaling Device

Model 302GC

EXTRA OUTPUT POWER FOR PLANT EVACUATION

- Available in 24VAC/DC, 120VAC and 240VAC
- Built-in gain control, adjustable between 0dBA to 114dBA @ 10' (100dBA to 124dBA @ 1m)
- Type 3R, IP54 enclosure
- Digital signal amplification
- Fused input and output
- Indoor/outdoor use
- UL 1480 and CSFM Approved
- UL and cUL Listed

Federal Signal's Model 302GC SelecTone® Speaker Amplifier is designed to produce crisp, clear tones, digital voice messages and live public address in harsh environments with high ambient noise levels.

The rugged speaker cone and projector are constructed of spun aluminum. The internal circuitry, tone module, and gain control are contained in a housing constructed of die-cast aluminum. All surfaces are sealed with powder-coat paint. Dust- and moisture-proof gaskets provide protection from the elements.

The 302GC is UL Listed for indoor and outdoor use. It has been designed, tested and approved for use in Type 3R applications.

Internal gain control allows output adjustment from 0dBA to a maximum of 114dBA at 10 feet.

SelecTone Speaker Amplifiers are used individually or as part of a plant-wide emergency notification system. The Model UTM Universal Tone Module, with 32 tones, or the TM33 Custom Tone Module is plugged into a single SelecTone Speaker Amplifier for stand-alone use or into a SelecTone Command Unit for plant-wide signaling.

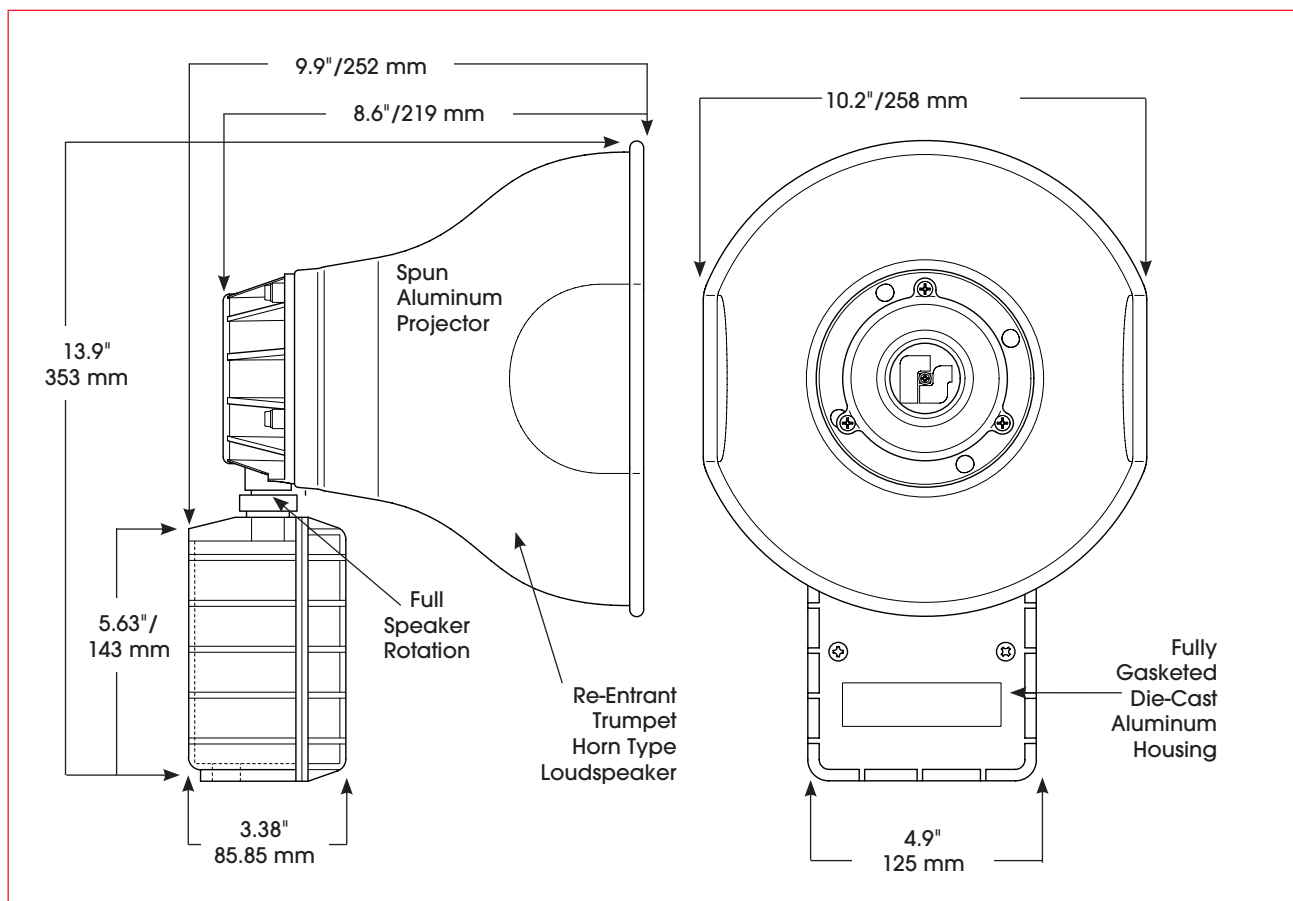
For plant-wide signaling, a Connector Kit is installed into each SelecTone Speaker Amplifier and wired to a central controller. SelecTone Command Units and CommCenter® Digital Message Centers broadcast tones, voice messages, melodies and live public address to an unlimited number of SelecTone Speaker Amplifiers.

Typical applications for SelecTone include emergency warning, plant evacuation, start and dismissal, public address, and process control signaling.

| Model | Voltage | Operating Current | Standby Current | Decibels @ | |
|-----------|----------------|-------------------|-----------------|------------|-----|
| | | | | 10' | 1m |
| 302GC-024 | 24VDC | 1.00 amps | 50 mA | 114 | 124 |
| 302GC-024 | 24VAC 50/60Hz | 1.40 amps | 100 mA | 114 | 124 |
| 302GC-120 | 120VAC 50/60Hz | 0.30 amps | 50 mA | 114 | 124 |
| 302GC-240 | 240VAC 50/60Hz | 0.15 amps | 35 mA | 114 | 124 |



SELECTONE® AUDIBLE SIGNALING DEVICE (302GC)



SPECIFICATIONS

| | | |
|------------------------|----------------|---------------|
| Operating Temperature: | -67°F to 150°F | -55°C to 66°C |
| Net Weight: | | |
| 24VAC/DC | 7.5 lbs. | 3.4 kg |
| 120/240VAC | 7.5 lbs. | 3.4 kg |
| Shipping Weight: | | |
| 24VAC/DC | 8.9 lbs. | 4.0 kg |
| 120/240VAC | 8.9 lbs. | 4.0 kg |
| Height: | 13.9" | 353.0 mm |
| Width: | 10.2" | 258.0 mm |
| Depth: | 4.9" | 125.0 mm |

HOW TO ORDER

- Specify model number and voltage
- Specify Tone Module for stand alone operation
 - Universal Tone Module (UTM)
 - Custom Tone Module (TM33)
- Specify Connector Kit for use in systems (Call Factory for system design assistance)
 - 25 Vrms Connector Kit (AM25CK)
 - 70 Vrms Connector Kit (AM70CK)

REPLACEMENT PARTS

| <u>Description</u> | <u>Part Number</u> |
|------------------------------|--------------------|
| Amplifier Assembly, 24VAC/DC | K2005502A-02 |
| Transformer, 120VAC | K120846A |
| Transformer, 240VAC | K120856A |
| Voice Coil, Series C | K8590246A |
| Speaker Assembly | K8593103A |