



# SelectTone® Audible Signaling Device

## Model 300GC

### PLANT-WIDE WARNING AND VOICE COMMUNICATION

- Built-in gain control
- Produces 86dB to 110dB @ 10' (96dB to 120dB @ 1m)
- Available in 24VAC/VDC, 120VAC and 240VAC
- UL Listed, CSA Approved, CSFM Approved (California State Fire Marshal)
- NEMA 3R, IP55 enclosure

Federal Signal's SelectTone® Model 300GC is a lightweight and compact, solid-state audible signaling device designed to amplify tone or voice over existing ambient noise.

The rugged speaker cone and projector are constructed of spun aluminum. The internal amplification circuitry, tone module and gain control are contained in a housing constructed of die-cast aluminum. Dust- and moisture-proof sealing provides protection from the elements. All external surfaces are sealed with gray enamel paint.

This speaker/amplifier is UL (Underwriter's Laboratories) listed for indoor/outdoor use and meets NEMA 3R requirements. The built-in gain control allows output adjustment from 86dB to a maximum of 110dB @ 10 feet (96dB to 120dB @ 1m). Multiple tone and voice capabilities can be added when used with the system interface connector kit and a SelectTone Command Unit, including Models 300MB, 300MC, 300VSC-1, 300VSC-1044SB 300SCW-1 and 300SSC. Each of these command units allow a selection of the many available tones and public address to be selected and amplified from each 302GC SelectTone.

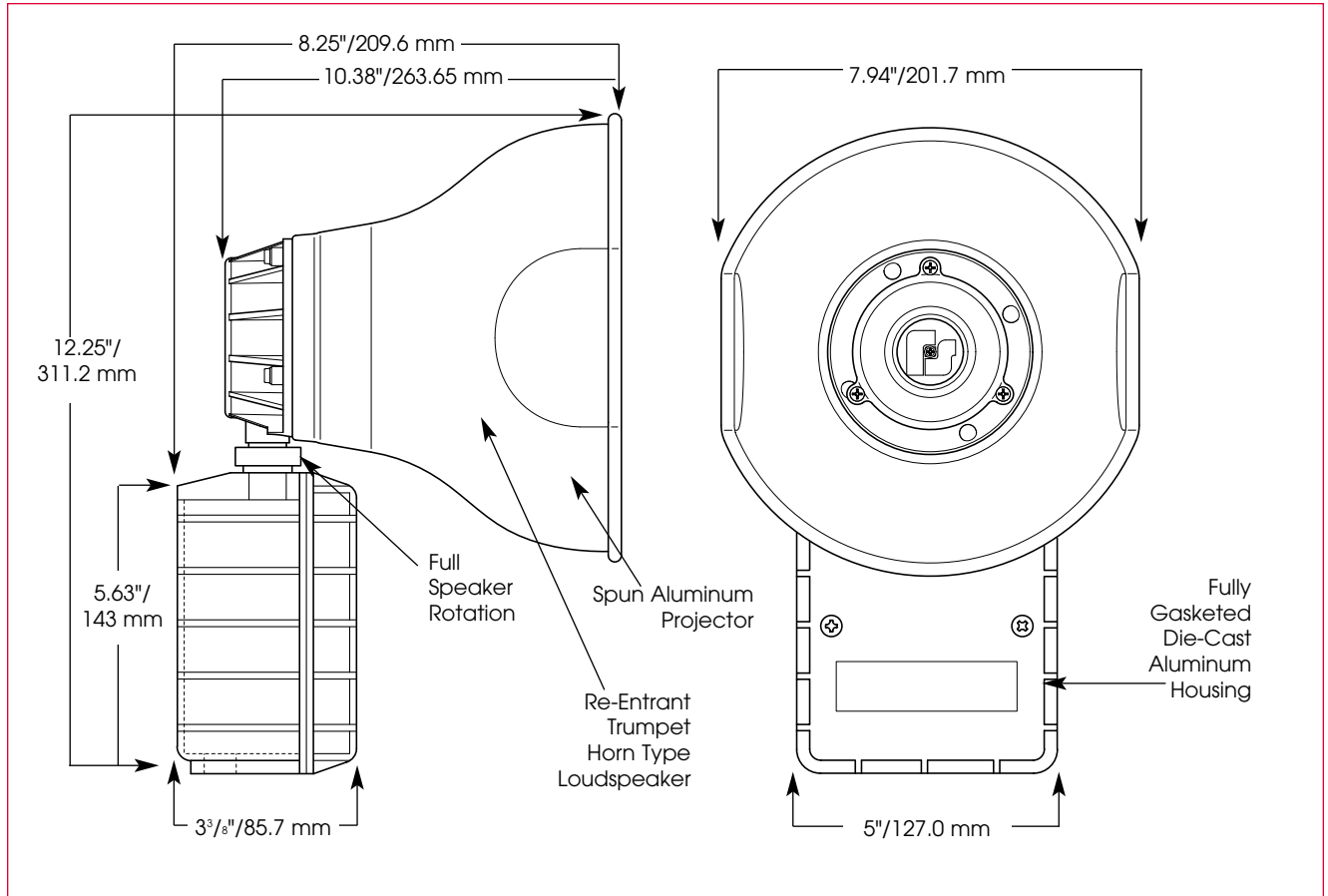
Model 300GC audible signals can be used individually or as part of a plant-wide warning and communications system where distinctly different tone signals can be used to signal specific types of warnings. Voice capability allows for day-to-day paging or to communicate specific instructions in case of an emergency.

Federal Signal's Model 300GC provides gain control to overcome ambient noise levels. Typical applications include emergency warning, start and dismissal, general alarm, evacuation and paging.

Model	Voltage	Operating Current	Sys. Standby Current	Decibels @ 10'	1m
300GC	24VDC	0.55 amps	0.06 amps	110	120
300GC	24VAC 50/60Hz	1.25 amps	0.13 amps	110	120
300GC	120VAC 50/60Hz	0.27 amps	0.03 amps	110	120
300GC	240VAC 50/60Hz	0.12 amps	0.02 amps	110	120



**SELECTONE® AUDIBLE SIGNALING DEVICE (300GC)**



**SPECIFICATIONS**

Operating Temperature:	-31° F to 161° F	-35°C to 72° C
Net Weight:		
DC	4.5 lbs.	2.0 kg
AC	5.0 lbs.	2.3 kg
Shipping Weight:		
DC	5.4 lbs.	2.5 kg
AC	6.3 lbs.	2.9 kg
Height:	12.25"	311 mm
Width:	7.94"	201.7 mm
Depth:	8.25"	210 mm

**RATINGS**

- UL Listed and CSA Approved for indoor/outdoor use
- CSFM Approved
- NEMA Type 3R
- Constructed to IP55

**HOW TO ORDER**

- Specify model number and voltage
- Tone Module for stand alone applications purchased separately (UTM, TM33)
- Connector Kit for system applications (AM25CK, AM70CK, AM100CK, 300CK or 300CKS)

**REPLACEMENT PARTS**

<i><b>Description</b></i>	<i><b>Part Number</b></i>
Amplifier Assembly	K200B528
Voice Coil	K110A703
Transformer, 120VAC	K120B121K-05
Transformer, 240VAC	K120B128E-01
Speaker Assembly	K8593040A