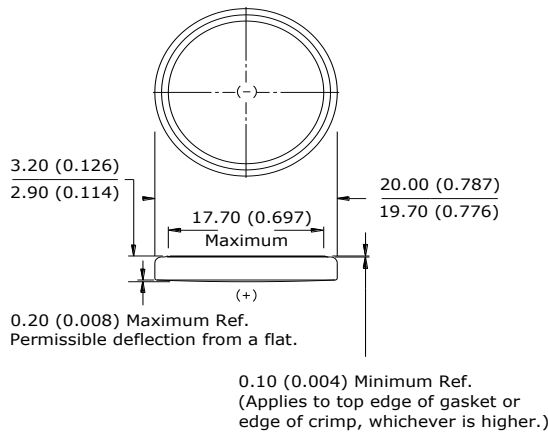


ENERGIZER CR2032

Lithium Coin



Industry Standard Dimensions
mm (inches)



Specifications

- Classification:** "Lithium Coin"
- Chemical System:** Lithium / Manganese Dioxide (Li/MnO₂)
- Designation:** ANSI / NEDA-5004LC, IEC-CR2032
- Nominal Voltage:** 3.0 Volts
- Typical Capacity:** 240 mAh (to 2.0 volts)
(Rated at 15K ohms at 21°C)
- Typical Weight:** 3.0 grams (0.10 oz.)
- Typical Volume:** 1.0 cubic centimeters (0.06 cubic inch)
- Max Rev Charge:** 1 microampere
- Energy Density:** 198 milliwatt hr/g, 653 milliwatt hr/cc
- Typical Li Content:** 0.109 grams (0.0038 oz.)
- Operating Temp:** -30C to 60C
- Self Discharge:** ~1% / year

Safety:



(1) KEEP OUT OF REACH OF CHILDREN. Swallowing may lead to serious injury or death in as little as 2 hours due to chemical burns and potential perforation of the esophagus. **Immediately see doctor; have doctor phone (202) 625-3333.**

(2) Battery compartment design. To prevent children from removing batteries, battery compartments should be designed with one of the following methods: a) a tool such as screwdriver or coin is required to open battery compartment or b) the battery compartment door/cover requires the application of a minimum of two independent and simultaneous movements of the securing mechanism to open by hand. Screws should remain captive with the battery door or cover.

Simulated Application test

Typical Performance at 21°C (70°F)

Schedule:	Typical Drains: at 2.9V (mA)	Load (ohms)	Cutoff 2.0V (hours)
Continuous	0.19	15,000	1263

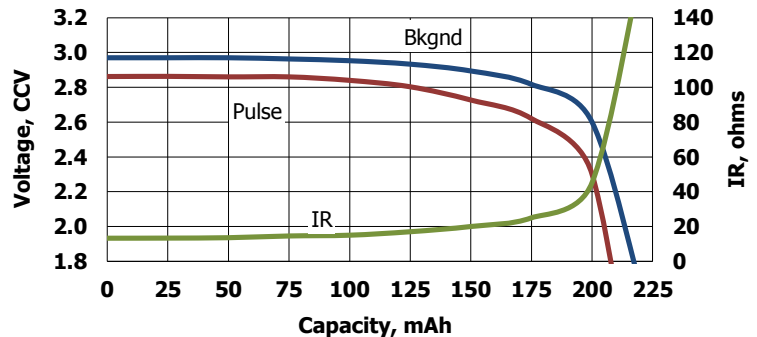
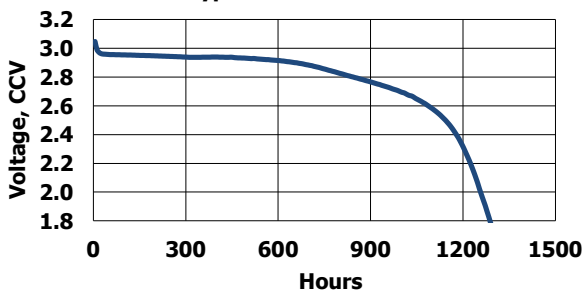
Pulse Discharge Characteristics

Pulse Test at 21°C (70°F)

- Bkgnd Drain:** Continuous
21°C (70°F) 15K ohms
0.19 mA @2.9V
- Pulse Drain:** 2 seconds X 12 times/day
400 ohms
~6.8 mA @2.7V

Continuous Discharge Characteristics

Load: 15K ohms - continuous 21°C (70°F)
Typical Drain @ 2.9V: 0.19 mA



Important Notice

This datasheet contains typical information specific to products manufactured at the time of its publication. Values are for reference purposes and not intended for specific calculations.
©Energizer Brands, LLC. - Contents herein do not constitute a warranty.