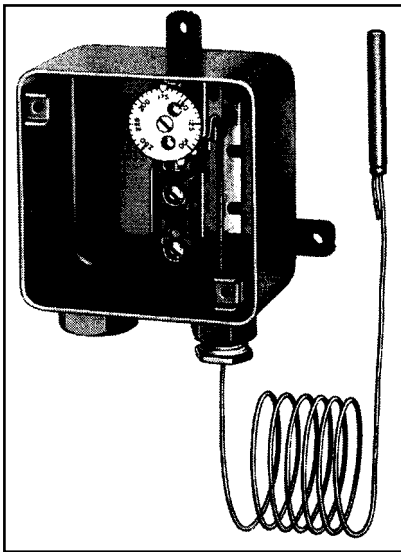


C3RC Thermostat

Line/Ambient Sensing Adjustable Temperature NEMA 3R

DESCRIPTION

The C3RC thermostat is intended for temperature control of a variety of electric heating cables utilized for pipe freeze protection, pipe tracing or roof/gutter deicing. The rainproof, gasketed enclosure is suitable for indoor/outdoor locations. The C3RC can be used in an ambient-sensing mode (with capillary coiled, as received) or a line sensing mode (with capillary attached to pipe).



ENCLOSURE

NEMA 3R Rainproof Gasketed Cold-drawn Steel with baked-on gray enamel

TEMPERATURE RANGE

Adjustable
0 – 150°F (-15 to 65°C)
Fixed Differential
6°F (3.3°C)

CAPILLARY

| | |
|---------------|-----------------|
| <i>Length</i> | <i>Material</i> |
| 10' (3.0 m) | Copper |

Max. Exposure Temp.
190°F (88°C)

ELECTRICAL

SPST Switch 22 amp Resistive, 120/208/240/277 V, 50/60 Hz
125 VA Pilot Duty, 24 – 600V, 50/60 Hz
*SPST and only one side of SPDT control

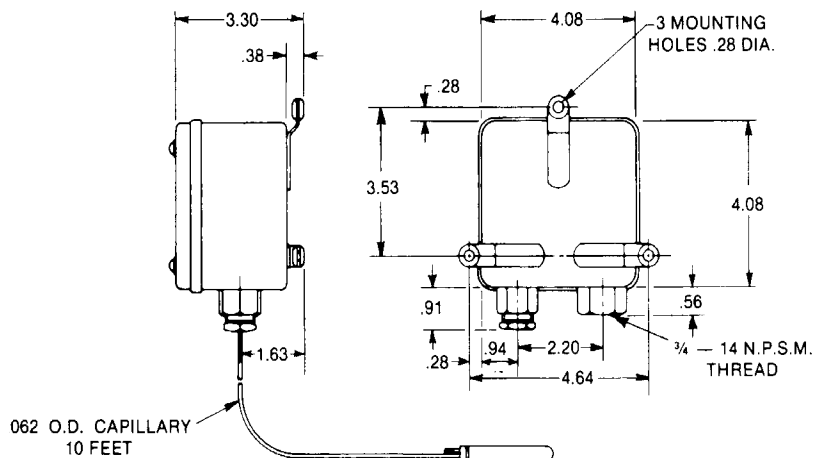
APPROVALS

UL E6688

HIGH LIMIT STOP

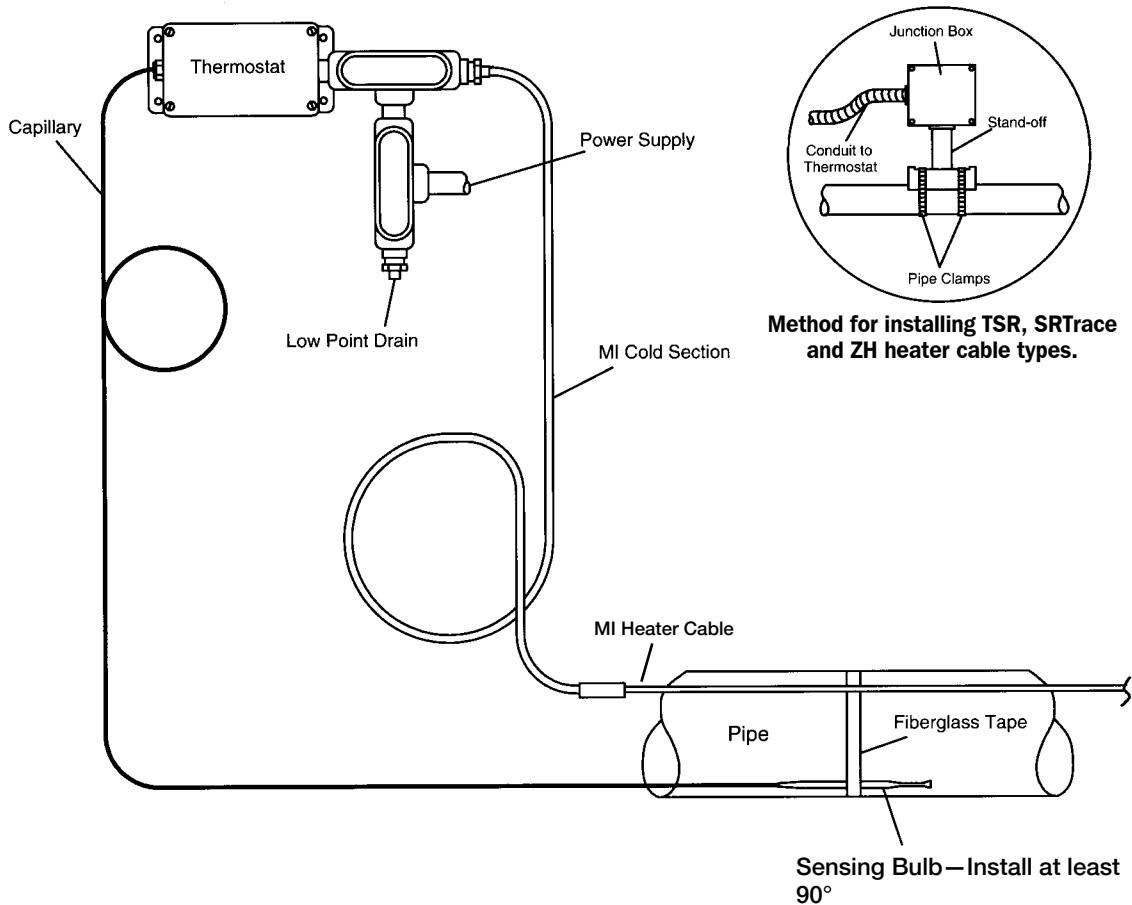
To change the stop setting, loosen the two screws in the dial plate with wrench packed with control. Turn the dial so pointer indicates the stop setting. Move stop (located behind dial plate) against stop bracket. Tighten screws to lock the stop in position. High limit can be set between 55°F above the bottom of the range and the top of the range.

OUTLINE

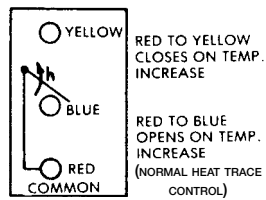


INSTALLATION

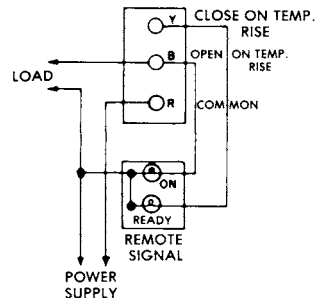
MI Trace Sample Installation



WIRING



Terminal Arrangement



Wiring Diagram Showing Remote Signal

ANNUAL MAINTENANCE

- 1 Remove cover.
- 2 Spray a coat of lubricant and rust preventative such as CRC Stor & Lube, electrical grade, on thermostat body.
- 3 Replace cover.