

Catalog Number
Notes
Type

FEATURES & SPECIFICATIONS

INTENDED USE — Single and twin LED remote lamps for indoor and outdoor applications, for use as part of an emergency lighting system, providing light for path of egress.

CONSTRUCTION — Indoor remote heads are injection-molded, engineering-grade, 5VA flame retardant, high-impact resistant, thermoplastic, ivory white or black finish.

Weather-proof (WP) are engineering grade, high-impact resistant thermoplastic, sealed and gasketed, gray or black finish. For use in damp and wet location areas.

Compatible with EU2L REM, ECC REM, EU2C HO, ELM2L LTP and ECR/ECG HO.

Fully adjustable lamp heads.

Suitable for wall or ceiling mount. Mounts to a single-gang switch box.

OPTICS — The typical life of the LED is 10 years.

Round remotes (ERE RD) have one, 0.75W white LED per lamp head. To be powered from low-voltage power sources (3.6V only).

Weather-proof (ERE SGL SQ and ERE SGL WP SQ) ave eight, 1W total, white LEDs per lamp head.

Weather-proof (ERE T SQ and ERE T WP SQ) have eight, 2W total, white LEDs per lamp head.

ERE SQ (single and twin) for use with 3.6V, 6V, 9.6V & 12V sensing power source.

INSTALLATION — Suitable for wall or ceiling mount. Mounts to a single-gang switch box.

LISTINGS — UL Listed with approved Lithonia Lighting products.

Meets UL924, NFPA 101 (current Life Safety Code), NEC, OSHA, Local and State Codes.

Indoor damp location listed (ERE) 50°F to 104°F (10°C to 40°C).

Wet location listed (ERE WP) -4°F to 122°F (-20°C to 50°C)

WARRANTY — 2-year limited warranty. Complete warranty terms located at:

www.acuitybrands.com/CustomerResources/Terms_and_conditions.aspx

NOTE: Actual performance may differ as a result of end-user environment and application.

All values are design or typical values, measured under laboratory conditions at 25 °C.

Specifications subject to change without notice.

Remote Lamps

ERE



ERE B T RD



ERE B SGL RD



ERE B SGL WP SQ



ERE B T WP SQ



ERE W T RD



ERE W SGL RD



ERE W SGL SQ



ERE W T SQ



ERE GY SGL WP SQ



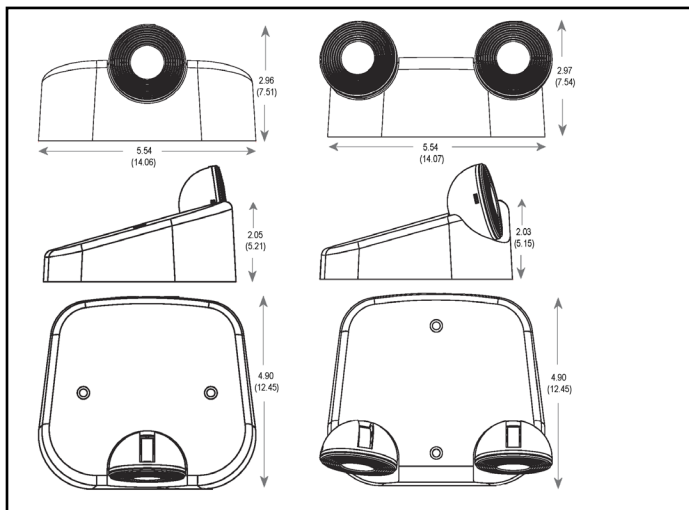
ERE GY T WP SQ



ERE Remote Lamps

MOUNTING AND SPECIFICATIONS

All dimensions are inches (centimeters) unless otherwise indicated.



Specifications

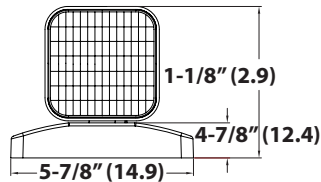
Indoor Single Remote Round (ERE SGL RD)

Length: 5.54 (14.06)
Depth: 2.05 (5.21)
Height: 4.90 (12.45)
Weight: .55 lbs (.25 kgs)

Specifications

Indoor Twin Remote Round (ERE SGL RD)

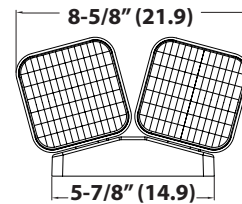
Length: 5.54 (14.06)
Depth: 2.03 (5.15)
Height: 4.90 (12.45)
Weight: .60 lbs (.27 kgs)



Specifications

Weather Single Remote Square (ERE SGL SQ)

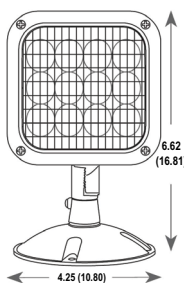
Width: 5.875 (14.9)
Width (head): 8.625 (21.9)



Specifications

Indoor Single Remote Twin (ERE T SQ)

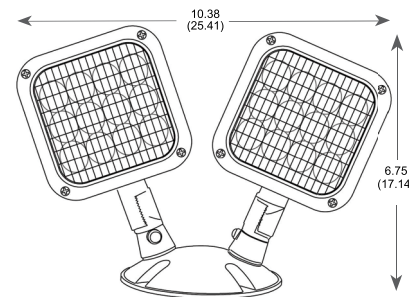
Width: 5.875 (14.9)
Height (head): 1.125 (2.9)
Height: 4.875 (12.4)



Specifications

Weather proof Single Remote Square (ERE SGL WP SQ)

Length: 4.25 (10.80)
Depth (head): 2.25 (5.71)
Depth (base): .87 (2.20)
Height: 6.62 (16.81)
Weight: .65 lbs (.29 kgs)



Specifications

Weather proof Twin Remote Square (ERE T WP SQ)

Length: 10.38 (26.37)
Depth (head): 2.25 (5.71)
Depth (base): .87 (2.20)
Height: 6.8 (17.27)
Weight: 1.3 lbs (.54 kgs)

ORDERING INFORMATION

Example: ERE GY T WP SQ

Series	Housing Color	Number of Lampheads	Lamp Head Type	Options
ERE LED Remote lamp	W Ivory white ¹ GY Gray ² B Black	SGL Single T Twin	SQ Square RD Round ³	(Blank) Not Required WP Weather Proof ^{2,3}

COMPATIBLE PRODUCT*						
TYPE	ERE SGL RD	ERE T RD	ERE SGL SQ	ERE T SQ	ERE SGL WP SQ	ERE T WP SQ
EU2L REM	2	1	1	0	1	0
EU2C HO	2	1	2	1	2	1
ELM2L LTP	0	0	2	1	2	1
ECC R REM ECC G REM	2	1	2	1	2	1
ECR LED HO EGG LED HO	4	2	3	1	3	1

* This is in addition to the lamp heads on the product.

Notes

- Ivory white housing color not available with WP option.
- Gray only available with WP option.
- RD is not available with WP option.