

EZ6RIC

6" Universal IC Remodel Housing with Loose Socket and Quick Connectors

LAMP WATTAGE: (1) MAXIMUM 75W R/PAR30, 60W A19, 65W BR30

Catalog Number:

Project Name:

Type:

Note:



DESIGNED FOR 2" X 8" JOIST CONSTRUCTION

DESCRIPTION

Thermally protected, IC rated specification grade remodel recessed housing. For remodeling installations where housing will be in direct contact with insulation. For fast and easy installation in existing plaster or mechanical ceilings from 1/2" to 1-3/8" thick. Four remodel clips are easily retractable for fixture removal if necessary. Junction box is provided with eight 1/2" KOs and four Romex knockouts with strain relief. Accommodates up to 75W PAR30, BR30, and A19 lamps.

SPECIFICATION

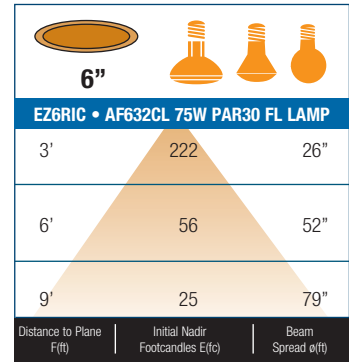
A. HOUSING - Die-formed, all aluminum construction for maximum heat dissipation and rust protection.

B. SOCKET - Medium base screw shell porcelain socket that attaches directly to the AF_series trims.

C. INSTALLATION - Four preinstalled spring clips which secure the housing firmly into ceiling to accommodate different ceiling thicknesses from 1/2" to 1-3/8".

D. JUNCTION BOX - UL and ETL listed for through-branch circuit wiring, provided with eight 1/2" KOs and four Romex knockouts with strain relief.

E. THERMAL PROTECTION - Standard thermal protection device guards against improper installation, overlampping and misuse of insulation material.



FEATURES

- Thermally Protected remodel IC housing.
- Dependable, favorable design and effortless installation.
- Unit slips through 6-1/2" ceiling opening.
- Four preinstalled spring clips which secure the housing firmly into ceiling to accommodate different ceiling thickness from 1/2" to 1-3/8".
- Can be installed from below the ceiling.
- 7-1/4" height allows use in 2" x 8" joist construction.
- Wire through junction box.
- Preinstalled socket cap provides electrical contact protection against dust, paint and over spray.

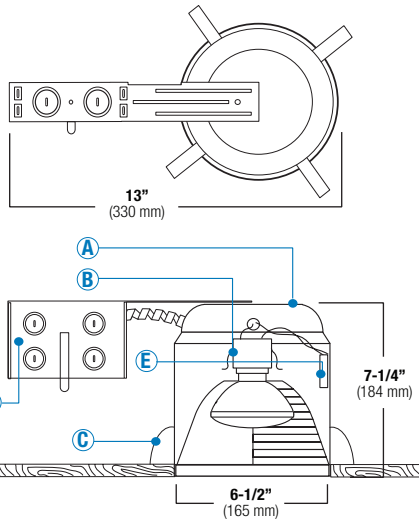
OPTIONS

AIR-SHUT

- Gasket to prevent air flow from heated or air conditioned spaces.
- Meets all national air flow requirements.

UL AND C-UL/ETL AND C-ETL LISTED

- For Damp location
- For Feed-through wiring
- For Direct contact with insulation



ITEM SELECTOR: (Please check the boxes below for the option desired)

TYPE	TRIM TYPE			BAFFLE	REFLECTOR	TRIM/RING
EZ6RIC-AT	<input type="checkbox"/> AF631	<input type="checkbox"/> AF601	<input type="checkbox"/> AF605L	<input type="checkbox"/> W	<input type="checkbox"/> CL	<input type="checkbox"/> WH
	<input type="checkbox"/> AF649	<input type="checkbox"/> AF605	<input type="checkbox"/> AF606L	<input type="checkbox"/> P	<input type="checkbox"/> RG	<input type="checkbox"/> BK
	<input type="checkbox"/> AF630	<input type="checkbox"/> AF606	<input type="checkbox"/> AF633	<input type="checkbox"/> SN	<input type="checkbox"/> W	<input type="checkbox"/> SN
	<input type="checkbox"/> AF651	<input type="checkbox"/> AF636	<input type="checkbox"/> B602	<input type="checkbox"/> CP	<input type="checkbox"/> MB	<input type="checkbox"/> CP
	<input type="checkbox"/> AF637	<input type="checkbox"/> AF635	<input type="checkbox"/> B609	<input type="checkbox"/> BZ	<input type="checkbox"/> BZ	<input type="checkbox"/> CH
	<input type="checkbox"/> AF640	<input type="checkbox"/> AF642	<input type="checkbox"/> B663		<input type="checkbox"/> CP	<input type="checkbox"/> PB
	<input type="checkbox"/> AF634	<input type="checkbox"/> AF641	<input type="checkbox"/> B673		<input type="checkbox"/> SN	<input type="checkbox"/> BZ
	<input type="checkbox"/> AF632	<input type="checkbox"/> AF643			<input type="checkbox"/> SHZ	
	<input type="checkbox"/> AF644	<input type="checkbox"/> AF638				
	<input type="checkbox"/> AF639	<input type="checkbox"/> AF601L				

Specifications:

EZ6RIC-AT

TRIM TYPE BAFFLE REFLECTOR TRIM/RING

BAFFLE	REFLECTOR	TRIM/RING
W White	CL Chrome	WH White
P Black	RG Gold	BK Black
SN Satin Nickel	W White	SN Satin Nickel
CP Copper	MB Black	CP Copper
BZ Bronze	BZ Bronze	CH Chrome
	CP Copper	PB Polish Brass
	SN Satin Nickel	BZ Bronze
	SHZ Satin Haze	

Sample of Catalog Number: EZ6RIC-AT-AF631-W-WH

*For custom baffle, reflector, trim ring, glass color and lens options, please consult factory.



Submission form is available @ www.iuseelite.com
Tel: 323-888-1973 • Fax: 323-888-1977

Specifications and Dimensions subject to change without notice.

REV: ELITE LIGHTING-SPEC-06-29-2011