

# B4R

## 4" Miniature Non-IC Remodel Housing

LAMP WATTAGE: (1) MAXIMUM 50W R/PAR20/A19

Catalog Number:

Project Name:

Type:

Note:



DESIGNED FOR 2" X 6" JOIST CONSTRUCTION

### DESCRIPTION

Small aperture thermally protected, specification grade recessed housing. For remodel application non-insulated ceilings or where insulation can be kept 3" from housing. For fast and easy installation in existing plaster or mechanical ceilings from 1/2" to 1-3/8" thick. Four remodel clips are easily retractable for fixture removal if necessary. Junction box is provided with eight 1/2" KOs and four Romex knockouts with strain relief. Accommodates up to 50W PAR20, R20, and A19 lamps.

### SPECIFICATION

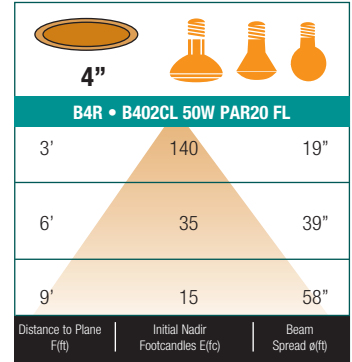
**A. HOUSING** - High temperature painted 22 gauge deep drawn single piece housing. Accommodate lamps up to 50W depending on trim used.

**B. SOCKET** - Medium base screw shell porcelain socket preinstalled on adjustable mounting bracket is designed to allow usage of different lamp types, as well as proper and consistent lamp positioning.

**C. INSTALLATION** - Four preinstalled spring clips which secure the housing firmly into ceiling to accommodate different ceiling thicknesses from 1/2" to 1-3/8".

**D. JUNCTION BOX** - UL and ETL for feed through wiring with eight 1/2" KOs and four Romex knockouts with strain relief.

**E. THERMAL PROTECTION** - Standard thermal protection device guards against improper installation, overlampping and misuse of insulation material.



BEAM DIA. MEASURED AT 50% OF NADIR F.C.

### FEATURES

- Thermally Protected Non-IC remodel housing.
- Dependable, favorable design and effortless installation.
- Unit slips through 4-1/4" ceiling opening.
- Four preinstalled spring clips which secure the housing firmly into ceiling to accommodate different ceiling thicknesses from 1/2" to 1-3/8".
- Can be installed from below the ceiling.
- 5 1/2" height allows use in 2" x 6" joist construction.
- Preinstalled socket cap provides electrical contact protection against dust, paint and over spray.
- Adjustable socket bracket.

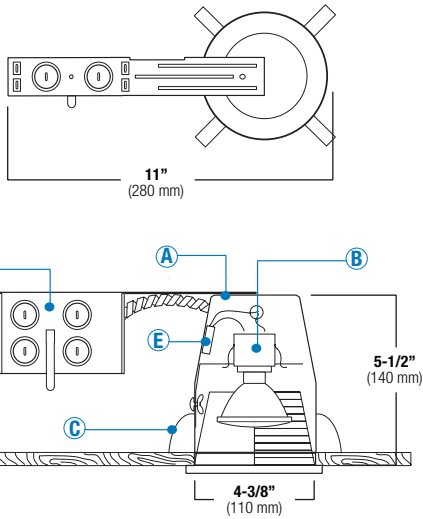
### OPTIONS

#### AIR-SHUT

- Gasket to prevent air flow from heated or air conditioned spaces.
- Meets all national air flow requirements.

#### UL AND C-UL/ETL AND C-ETL LISTED

- For Damp location
- For Feed-through wiring



ITEM SELECTOR: (Please check the boxes below for the option desired)

TYPE	AIR-SHUT	OPTION	TRIM TYPE			BAFFLE	REFLECTOR	TRIM/RING	GLASS
B4R	<input type="checkbox"/> AT	<input type="checkbox"/> (W) With quick connects	<input type="checkbox"/> B401 <input type="checkbox"/> B421 <input type="checkbox"/> B402 <input type="checkbox"/> B432 <input type="checkbox"/> B420 <input type="checkbox"/> B496 <input type="checkbox"/> B497 <input type="checkbox"/> B403 <input type="checkbox"/> B461 <input type="checkbox"/> B405 <input type="checkbox"/> B422	<input type="checkbox"/> B406 <input type="checkbox"/> B407 <input type="checkbox"/> B462 <input type="checkbox"/> B452 <input type="checkbox"/> B455 <input type="checkbox"/> B451 <input type="checkbox"/> B454 <input type="checkbox"/> B437 <input type="checkbox"/> B438 <input type="checkbox"/> B439 <input type="checkbox"/> AF401	<input type="checkbox"/> AF402 <input type="checkbox"/> B471 <input type="checkbox"/> B472 <input type="checkbox"/> B473 <input type="checkbox"/> B474 <input type="checkbox"/> B441 <input type="checkbox"/> B443 <input type="checkbox"/> B442 <input type="checkbox"/> B444	<input type="checkbox"/> W <input type="checkbox"/> P <input type="checkbox"/> SN <input type="checkbox"/> CP <input type="checkbox"/> BZ	<input type="checkbox"/> CL <input type="checkbox"/> RG <input type="checkbox"/> W <input type="checkbox"/> MB <input type="checkbox"/> BZ <input type="checkbox"/> CP <input type="checkbox"/> SN <input type="checkbox"/> SHZ	<input type="checkbox"/> WH <input type="checkbox"/> BK <input type="checkbox"/> SN <input type="checkbox"/> CP <input type="checkbox"/> CH <input type="checkbox"/> PB <input type="checkbox"/> BZ	<input type="checkbox"/> Green <input type="checkbox"/> Yellow <input type="checkbox"/> Pink <input type="checkbox"/> Brown <input type="checkbox"/> Navy Blue <input type="checkbox"/> Orange <input type="checkbox"/> Blue <input type="checkbox"/> White <input type="checkbox"/> Red

### Specifications:

B4R

AIR-SHUT      OPTION      TRIM TYPE      BAFFLE      REFLECTOR      TRIM/RING      GLASS

BAFFLE	REFLECTOR	TRIM/RING
W White	CL Chrome	WH White
P Black	RG Gold	BK Black
SN Satin Nickel	W White	SN Satin Nickel
CP Copper	MB Black	CP Copper
BZ Bronze	BZ Bronze	CH Chrome
	CP Copper	PB Polish Brass
	SN Satin Nickel	BZ Bronze
	SHZ Satin Haze	

Sample of Catalog Number: B4R-AT-W-B401-W-WH

\*For custom baffle, reflector, trim ring, glass color and lens options, please consult factory.



Submittal form is available @ [www.iuseelite.com](http://www.iuseelite.com)  
Tel: 323-888-1973 • Fax: 323-888-1977

Specifications and Dimensions subject to change without notice.

REV: ELITE LIGHTING-SPEC-06-29-2011

# 4" INCANDESCENT TRIMS



**AIR SHUT**

**NEW CLIP DESIGN**

**AF401W-WH** Self Flange Baffle

**AIR SHUT**

**NEW CLIP DESIGN**

**BAFFLE:** W, P, SN, CP, BZ

**TRIM:** WH- WHITE SELF FLANGE

**3 HOUSING COMPATIBILITY GUIDE:**

**AF402CP-WH** Self Flange Reflector

**AIR SHUT**

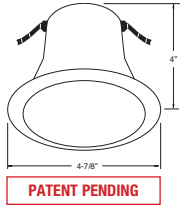
**NEW CLIP DESIGN**

**REFLECTOR:** CL, RG, W, MB, CP

**TRIM:** WH- WHITE SELF FLANGE

**3 HOUSING COMPATIBILITY GUIDE:**

1. Designed to fit most 4" cans
2. Air-Shut baffle/reflector
3. No socket bracket necessary



GUIDE	HOUSING COMPATIBILITY	MAX. LAMP WATTAGE
1	B4IC-AT-W, B4-AT-W, B4R-AT-W	50W R/PAR20
2	B4IC-AT-W, B4-AT-W, B4R-AT-W	35W R/PAR20
3	EZ4IC, EZ4, EZ4R	50W R/PAR20

4 INCH INCANDESCENT TRIMS

**B471CP-WH** Square Phenolic/Metal Stepped Baffle

**BAFFLE:** W, P, SN, CP, BZ

**TRIM:** WH, BK, SN, CP, CH, PB, BZ

**PATENT #: D510,151**

**1 HOUSING COMPATIBILITY GUIDE:**

**B472SN-WH** Square Baffle w/ Socket Bracket

**BAFFLE:** W, P, SN, CP, BZ

**TRIM:** WH, BK, SN, CP, CH, PB, BZ

**PATENT #: D510,151**

**1 HOUSING COMPATIBILITY GUIDE:**

**B473CP-WH** Reflector

**REFLECTOR:** CL, RG, W, MB, CP, SN, BZ, SHZ

**TRIM:** WH, BK, SN, CP, CH, PB, BZ

**PATENT #: D510,151**

**1 HOUSING COMPATIBILITY GUIDE:**

**B474CL-WH** Square Reflector w/ Socket Bracket

**REFLECTOR:** CL, RG, W, MB, CP, SN, BZ, SHZ

**TRIM:** WH, BK, SN, CP, CH, PB, BZ

**PATENT #: D510,151**

**1 HOUSING COMPATIBILITY GUIDE:**

**B441WH** Square Eyeball (30° Tilt)

**TRIM:** WH, BK, SN, CP, CH, PB, BZ

**PATENT #: D510,151**

**1 HOUSING COMPATIBILITY GUIDE:**

**B443WH** Square Slot Aperture

**TRIM:** WH, BK, SN, CP, CH, PB, BZ

**PATENT #: D510,151**

**2 HOUSING COMPATIBILITY GUIDE:**

**B442WH** PAR20 Gimbal Trim (30° Tilt)

**TRIM:** WH, BK, SN, CP, CH, PB, BZ

**PATENT #: D510,151**

**1 HOUSING COMPATIBILITY GUIDE:**

**B444CL-WH** Frosted Lens with Reflector

**REFLECTOR:** CL, RG, W, MB, CP, SN

**TRIM:** WH, BK, SN, CP, CH, PB, BZ

**PATENT #: D510,151**

**2 HOUSING COMPATIBILITY GUIDE:**

**BAFFLE FINISH:**  
**W** White  
**P** Black  
**SN** Satin Nickel  
**CP** Copper  
**BZ** Bronze

**REFLECTOR FINISH:**  
**CL** Chrome  
**RG** Gold  
**W** White  
**MB** Black

**BZ** Bronze  
**CP** Copper  
**SN** Satin Nickel  
**SHZ** Satin Haze

**RING/TRIM FINISH:**  
**WH** White  
**BK** Black  
**SN** Satin Nickel  
**CP** Copper

**CH** Chrome  
**PB** Polish Brass  
**BZ** Bronze

**General Lighting**  
**Wall Wash Lighting**

**Accent Lighting**  
**Sloped Ceiling Lighting**

**Task Lighting**