

BL2R-E

2" MINIATURE L. V. "NOISE-FREE" NON-IC REMODEL HOUSING



DESCRIPTION:

Small aperture low voltage, thermally protected remodel housing. For fast easy installation in existing plaster or mechanical ceilings from 1/2" to 1-3/8" thick. Three remodel clips which can be accessed from below the ceiling, are easily retractable for fixture removal if necessary. Accommodates up to 50W MR16 lamps. Junction box is provided with two 1/2" KOs.

WITH ELECTRONIC TRANSFORMER

LAMP WATTAGE: (1) Maximum 12V 50W MR16

SPECIFICATION:

A. HOUSING - High-tempered twenty-two (22) gauge deep drawn single piece aluminum housing. Accommodates lamps up to 50W depending on trim used.

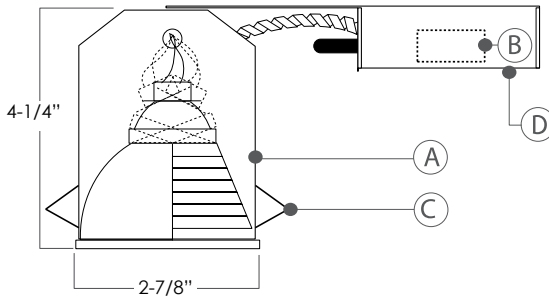
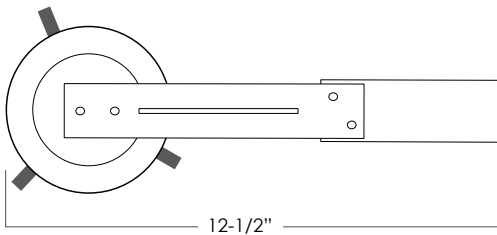
B. TRANSFORMER - Class II dimming electronic transformer placed in the junction box.

C. INSTALLATION - Four preinstalled spring clips which secure the housing firmly into ceiling to accommodate different ceiling thickness from 1/2" to 1-3/8".

D. JUNCTION BOX - Listed for through-branch circuit wiring and has two 1/2" KOs.

DIMMING CONTROLS - If fixture is specified with an electronic transformer then use only dimmers specifically designed for use with electronic transformers.

Listed
for Damp location
for Feed-through wiring



AIR SHUT AVAILABLE
Gasket to prevent air flow from heated or air conditioned spaces.

ORDERING INFORMATION, PLEASE SPECIFY:

TYPE	WATTAGE	BALLAST	VOLTAGE	TRIM TYPE	BAFFLE	TRIM RING
BL2R-E	<input type="checkbox"/> 20W	E=Electronic	120 V	<input type="checkbox"/> B1201 - Regressed Stepped Baffle	<input type="checkbox"/> W	<input type="checkbox"/> WH
	<input type="checkbox"/> 35W			<input type="checkbox"/> B1214 - Adj. Stepped Baffle (35° Tilt)	<input type="checkbox"/> P	<input type="checkbox"/> BK
	<input type="checkbox"/> 50W			<input type="checkbox"/> B1263 - Shower Trim	<input type="checkbox"/> SN	<input type="checkbox"/> SN
			<input type="checkbox"/> AT		<input type="checkbox"/> CP	<input type="checkbox"/> CP
					<input type="checkbox"/> BZ	<input type="checkbox"/> CH
						<input type="checkbox"/> PB
						<input type="checkbox"/> BZ

Specified:

BL2R-E - - **E** - **120V** - - -

TYPE WATT BALLAST VOLTAGE TRIM TYPE BAFFLE TRIM RING

(Sample of Catalog Number: **BL2R-E-50W-E-120- B1201 -W-WH**)

SPECIFIED BY:

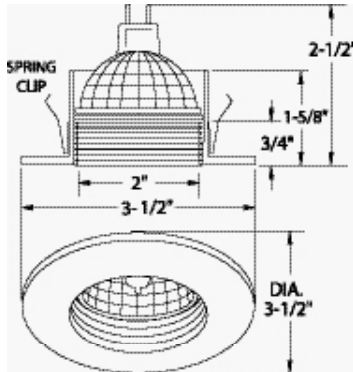
TYPE:

JOB NAME:



Tel: 323-888-1973 • 877-375-5555 / Fax: 323-888-1977 • 877-375-3333
www.iuseelite.com • E-mail: sales@iuseelite.com

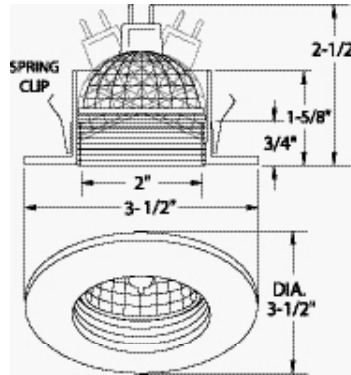
B1201
REGRESSED STEPPED BAFFLE



Spectrum

MAX. LAMP WATTAGE:	12V 50W MR16
AVAILABLE COLOR COMBINATIONS:	
	CP-CP, SN-SN, W-WH, P-WH, P-BK, BZ-BZ

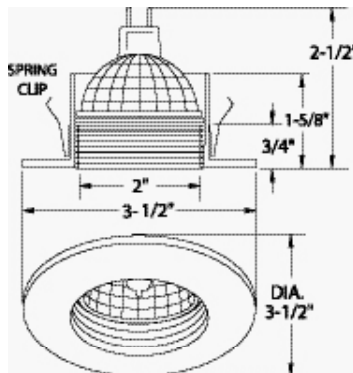
B1214
ADJUSTABLE STEPPED BAFFLE (35° TILT)



Spectrum

MAX. LAMP WATTAGE:	12V 50W MR16
AVAILABLE COLOR COMBINATIONS:	
	CP-CP, SN-SN, W-WH, P-WH, P-BK, BZ-BZ

B1263
SHOWER TRIM



Aqua



MAX. LAMP WATTAGE:	12V 35W MR16
AVAILABLE COLOR COMBINATIONS:	
	CP-CP, SN-SN, W-WH, P-WH, P-BK, BZ-BZ

DESCRIPTIONS:

- Built w/ deep baffle technology for glare free illumination.
- Can take up to 2 optical accessories.
- Unitized optics guarantee proper alignment of lamp.
- All die cast construction is for functional and aesthetic use.
- Both trim and trim ring are U.V. coated to prevent rust and discoloration caused by heat and sun light.
- Internal gasket prevents 100% of all light leakage.

RING/TRIM FINISHES: WH=White BK=Black SN=Satin Nickel CP=Copper CH=Chrome PB=Polished Brass
BAFFLE FINISHES: W=White P=Black SN=Satin Nickel CP=Copper
REFLECTOR FINISHES: CL=Chrome RG=Gold W=White MB=Black CP=Copper SN=Satin Nickel

