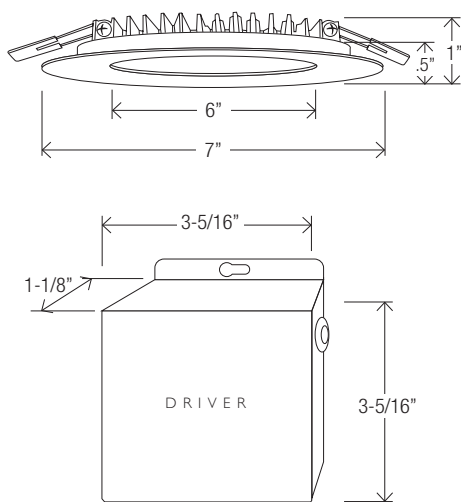




### DIMENSION



### INSTALLATION

- Cut hole in ceiling and snap fixture in opening with attached spring clips. Space in ceiling needed for the driver to fit through the ceiling hole – 2".



### CERTIFICATIONS

- cETLus/ETL
- Energy Star

## 6" ROUND SLIM LED

- ▶ **1" THICK LED FIXTURE WITH HIGHER BRIGHTNESS**
- ▶ **FOR NEW CONSTRUCTION – INSULATED AND DROPPED CEILINGS**

| INPUT VOLT.            | INPUT FREQ. | THD  | POWER FACTOR | INPUT POWER | LUMENS |
|------------------------|-------------|------|--------------|-------------|--------|
| 120                    | 60Hz        | <20% | >0.95        | 12W(+/-5%)  | 700L   |
| 277-347 (Non-dimmable) | 60Hz        | <20% | >0.95        | 12W(+/-5%)  | 700L   |
| 120                    | 60Hz        | <20% | >0.95        | 15W(+/-5%)  | 900L   |
| 277-347 (Non-dimmable) | 60Hz        | <20% | >0.95        | 15W(+/-5%)  | 900L   |

### FEATURES

Round 6" fixtures with integral LEDs. Isolated external driver factory installed inside junction box. One driver for every fixture required. PF>0.95. Maximum number of fixtures per standard 150W LED dimmer: 10

- ▶ Dimmable
- ▶ cETLus Approved and Energy Star Certified
- ▶ Type IC Rated – Approved for Direct Contact with Insulation
- ▶ Air-tight and damp location approved
- ▶ Pot Light Housing is NOT Required even for Insulated Ceilings
- ▶ Fast and Easy to Install in Limited Space Locations
- ▶ External Driver Factory Mounted Inside Connection Box
- ▶ New Construction Rough-In Plates and Jumper Cables Available
- ▶ Available in 4 Color Temperatures ( 2700K, 3000K, 3500K and 4000K)
- ▶ 50,000 Hours Life; 5 Year Warranty

### TECHNICAL SPECIFICATIONS

- ▶ **WATTAGES:** 12W and 15W
- ▶ **OUTPUT:** **Default** Driver Voltage: 120V AC 60 Hz (Dimmable)  
**Optional** Driver Voltage: 277V-347V AC 60 Hz (Non-Dimmable)
- ▶ **OPTICS:** 120°
- ▶ **CRI:** 90+
- ▶ **AMBIENT TEMPERATURE:** -40°F (-40°C) to +104°F (+40°C)

EXAMPLE: **RL675-900L-DIMTR-120-30K-90-WH**

| TYPE  | LUMEN   | CCT  | CRI | FINISH  |
|-------|---|--|-----|---|
| RL675 | <input type="checkbox"/> 700L-DIMTR-120<br><input type="checkbox"/> 700L-277-347 (Non-Dimmable) | <input type="checkbox"/> 27K<br><input type="checkbox"/> 30K<br><input type="checkbox"/> 35K<br><input type="checkbox"/> 40K | 90+ | <input type="checkbox"/> WH ( White)<br><input type="checkbox"/> BK ( Black)<br><input type="checkbox"/> SN ( Satin Nickel) |
|       | <input type="checkbox"/> 900L-DIMTR-120<br><input type="checkbox"/> 900L-277-347 (Non-Dimmable) |  |     |   |

LED

6"

6 INCH LED RETROFIT MODULE