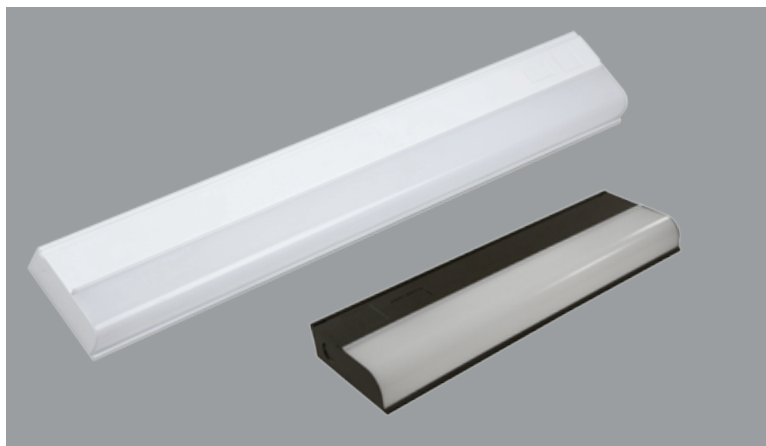
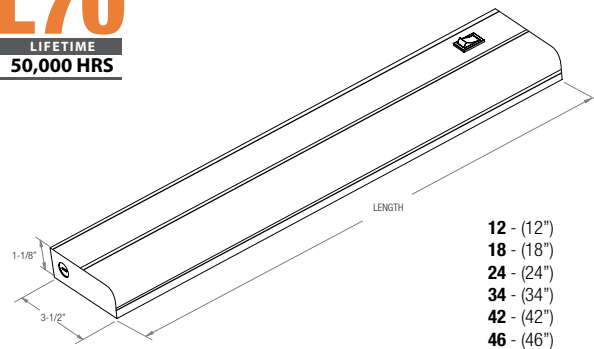




EU-LED SERIES



CALCULATED
L70
LIFETIME
50,000 HRS



APPLICATION:

Suitable for retail displays, gondolas, coves and undercabinet applications.

PRODUCT FEATURES:

- Life tested to ensure light output up to 50,000 hours of operation to L70
- Tested to LM-79 and LM-80 standards
- Easy-fit cover channel attachment
- Tool-less wireway access
- Detachable channel cover for quick installation
- Romex/BX conduit connector included with every fixture
- Soft-lumens, linear prismatic diffuser gives better visual comfort

- Knockouts available at the back, side, and rear for easy installation
- Available keyhole mounting slots on the back finish

FINISH:

UV coated rust resistance. Painted parts finished with polyester powder coating. 22-gauge die-formed steel housing.

PERFORMANCE - The light engines found in the EU-LED are rated at 90+ CRI and are available in CCTs 4100K. Rated and tested to LM-79 and LM-80 standards. The LEDs are also binned to a 3-step MacAdam ellipses to achieve consistent color from fixture to fixture.

QUALITY CONTROL - Every fixture is turned on and rigorously tested by our QC Department before shipping.

ELECTRICAL - Powered by high-quality constant-current power LED drivers which are rated for 50 to 60Hz at 120V input, produce less than 20% THD, and have a power factor of .90 to 1.00.

WARRANTY - Limited 5 Year Warranty

DIMMING - The EU-LED can be ordered with TRIAC dimming system. Consult factory for more information. Dimmable with INC (Incandescent), ELV (Electronic Low Voltage) or MLV (Magnetic Low Voltage) Dimmers.

LISTING - ETL listed

LED
EU

LED Undercabinet Fixture



Example: EU-LED-24-900L-DIMTR-120-40K

TYPE	LENGTH / LUMENS	DIMMING	COLOR OPTION	FINISH	ACCESSORIES
EU-LED	9-300L - (9", 4 Watts, 300 lumens) 12-450L - (12", 5 Watts, 450 lumens) 18-600L - (18", 7 Watts, 600 lumens) 24-900L - (24", 10 Watts, 900 lumens) 34-1300L - (34", 14 Watts, 1300 lumens) 42-1600L - (42", 18 Watts, 1600 lumens) 46-1800L - (46", 18 Watts, 1800 lumens)	DIMTR-120	30K - (3000K) 35K - (3500K) 40K - (4100K)	WH - White BZ - Bronze	RC - Grounded outlet

