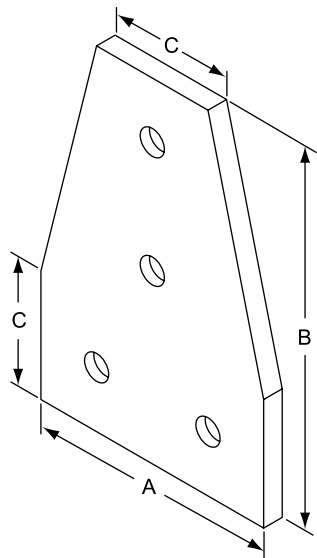


## 4 Hole Tee Joining Plate



10 Series Recommended Bolt Assembly:

Part No.	Qty	Description
3321	4	1/4-20 x 1/2" FBHSCS & Econ T-Nut

For more 10 Series bolt assembly options, see Table G on page 118.

15 Series Recommended Bolt Assembly:

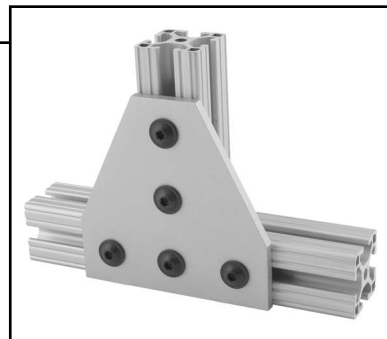
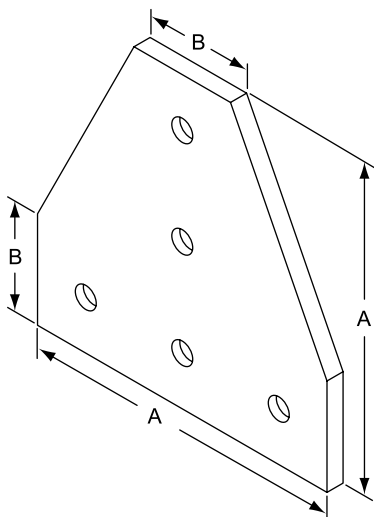
Part No.	Qty	Description
3320	4	5/16-18 x 11/16" FBHSCS & Econ T-Nut
OR		
3325	4	5/16-18 x 3/4" Econ. T-Slot Stud, Washer, Hex Nut

For more 15 Series bolt assembly options, see Table C on page 117.

= 10 Series Compatible Part

Part No.	A	B	C	Lbs.
4141	2.000	3.000	1.000	.085
4341	3.000	4.500	1.500	.260

## 5 Hole Tee Joining Plate



10 Series Recommended Bolt Assembly:

Part No.	Qty	Description
3321	5	1/4-20 x 1/2" FBHSCS & Econ T-Nut

For more 10 Series bolt assembly options, see Table G on page 118.

15 Series Recommended Bolt Assembly:

Part No.	Qty	Description
3320	5	5/16-18 x 11/16" FBHSCS & Econ T-Nut
OR		
3325	5	5/16-18 x 3/4" Econ. T-Slot Stud, Washer, Hex Nut

For more 15 Series bolt assembly options, see Table C on page 117.

= 10 Series Compatible Part

Part No.	A	B	Lbs.
4140	3.000	1.000	.120
4340	4.500	1.500	.370