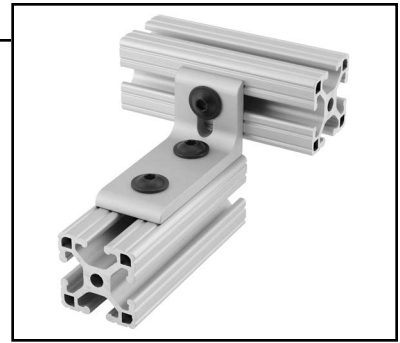
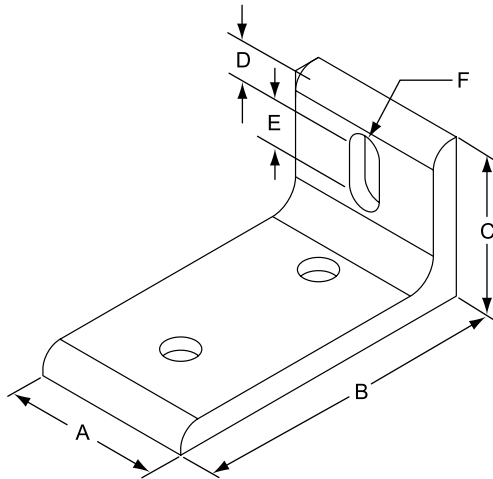


3 Hole Slotted Inside Corner Bracket



10 Series Recommended Bolt Assembly:

Part No.	Qty	Description
3321 ☒	3	1/4-20 x 1/2" FBHSCS & Econ T-Nut

For more 10 Series bolt assembly options, see Table M on page 119.

15 Series Recommended Bolt Assembly:

Part No.	Qty	Description
3320	3	5/16-18 x 11/16" FBHSCS & Econ T-Nut

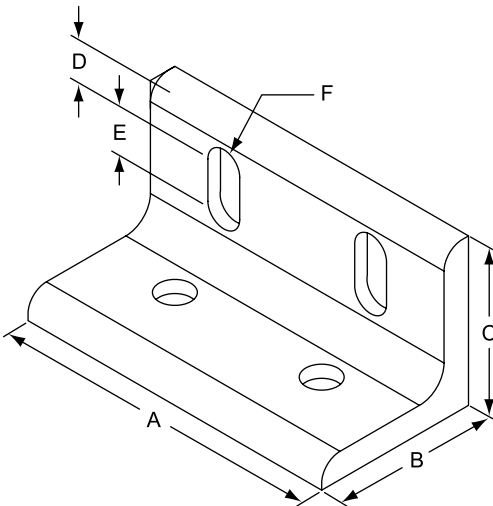
For more 15 Series bolt assembly options, see Table N on page 120.

☒ = 10 Series Compatible Part

Part No.	A	B	C	D	E	F	Lbs.
4250 ☒	.875	2.000	1.000	.312	.188	ø.281	.040
4280	1.310	3.000	1.500	.500	.500	ø.328	.125

4

4 Hole Slotted Inside Corner Bracket



10 Series Recommended Bolt Assembly:

Part No.	Qty	Description
3321 ☒	4	1/4-20 x 1/2" FBHSCS & Econ T-Nut

For more 10 Series bolt assembly options, see Table M on page 119.

15 Series Recommended Bolt Assembly:

Part No.	Qty	Description
3320	4	5/16-18 x 11/16" FBHSCS & Econ T-Nut

For more 15 Series bolt assembly options, see Table N on page 120.

☒ = 10 Series Compatible Part

Part No.	A	B	C	D	E	F	Lbs.
4260 ☒	1.875	1.000	1.000	.312	.188	ø.281	.055
4290	2.810	1.500	1.500	.500	.500	ø.328	.165