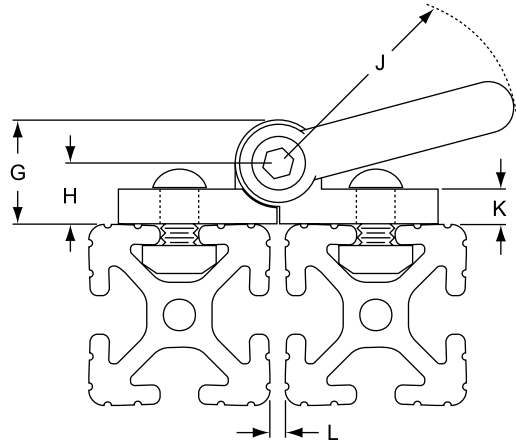
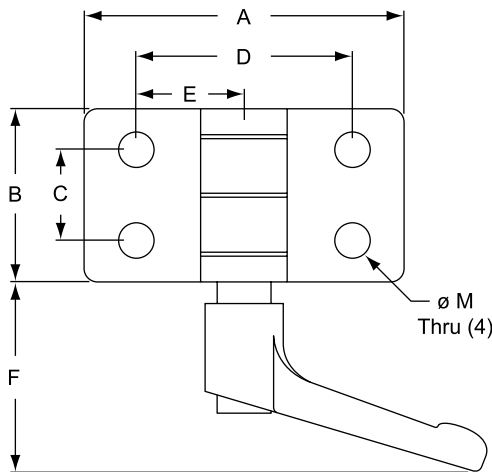


## Combination Hinges

- 15 Series compatible
- Black powder-coated zinc die-cast hinge with stainless steel pin
- 4488 features ratcheting clamp handle for locking hinge into position



6

Part No.	A	B	C	D	E	F	G	H	J	K	L	M	Lbs.
4488	2.913	1.575	.827	1.772	.886	1.650	.954	.562	2.562	.312	.272	.323	.490
4489	2.913	1.575	.827	1.772	.886	N/A	.954	.562	N/A	.312	.272	.323	.420

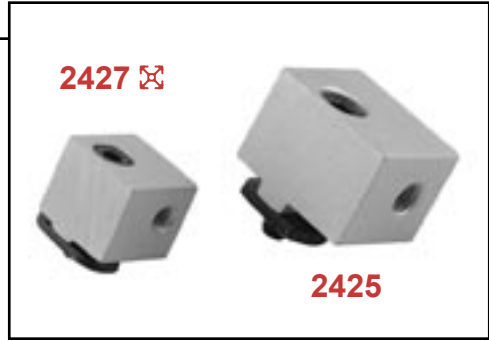
Recommended Bolt Assembly:

Part No.	Qty	Description
3114	4	<sup>5</sup> / <sub>16</sub> -18 x <sup>3</sup> / <sub>4</sub> " BHSCS
AND		
3203	4	<sup>5</sup> / <sub>16</sub> -18 Standard T-Nut

## Panel Mount Blocks

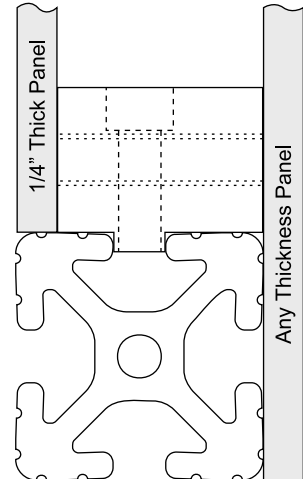
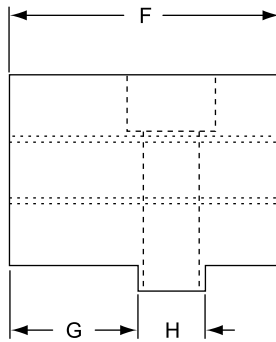
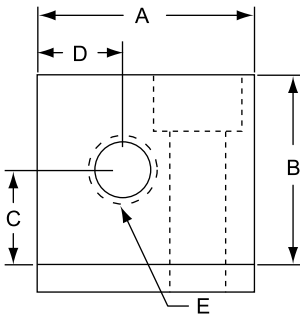


- 10 and 15 Series compatible
- Hardware for mounting block to T-slot included
- Made of 6105-T5 clear anodized aluminum
- Firmly mount plastic panels flush or offset
- Simplifies adding or removal of plastic panels
- See page 415 for panel mount block drilling services



☒ = 10 Series Compatible Part

### 2425 Shown



Part No.	A	B	C	D	E	F	G	H	Lbs.
2427 ☒	.750	.700	.375	.250	1/4-20 Tap Thru	.812	.373	.247	.050
2425	1.000	.880	.437	.390	5/16-18 Tap Thru	1.250	.600	.310	.120

**Note:** 2427 - mounts 3/16" panels flush with 10 Series profiles  
 2425 - mounts 1/4" panels flush with 15 Series profiles

Recommended Bolt Assembly: (Mount Block to Panel)

Part No.	Qty	Description
3063 ☒	1	1/4-20 x 5/8" BHSCS
3114	1	5/16-18 x 3/4" BHSCS