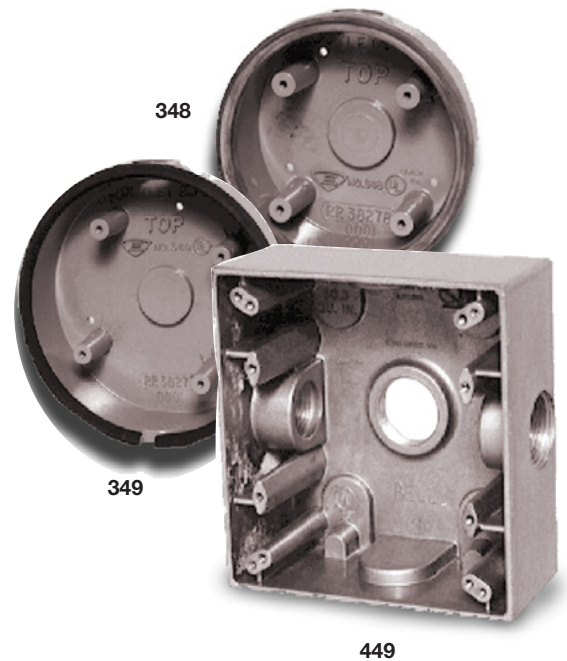




Weatherproof Mounting Boxes

Models 348/349/449



Overview

Edwards die-cast weatherproof backboxes are perfect for mounting a variety of Edwards signaling appliances such as bells, horns and sirens. They are made from die-cast aluminum and finished at the factory with a baked “Sage Gray” enamel finish. All boxes are shipped complete with a molded neoprene gasket. They all feature 3/4 inch tapped conduit entries.

Three models are available:

Catalog Number 348

– fits 4” 340 bells. UL listed for outdoor use.

Catalog Number 349

– fits 6”, &10”, & 340 bells, and 5520 Duotronic horn/siren. UL listed for outdoor use.

Catalog Number 449

– fits 4” 435 & 6”, 8”, &10” 439D, 435, & 438 bells and CS405 strobes. UL listed for outdoor use.

Standard Features

- Die-cast aluminum
- Surface mount
- Gray baked enamel finish
- Weatherproof gasket included



Contact us...

Phone: 1-800-336-4206

Web: www.edwardssignaling.com

Edwards Signaling is an **EDWARDS** brand.

3 Farm Glen Boulevard
Farmington, CT 06032

In Canada, contact Chubb Edwards...

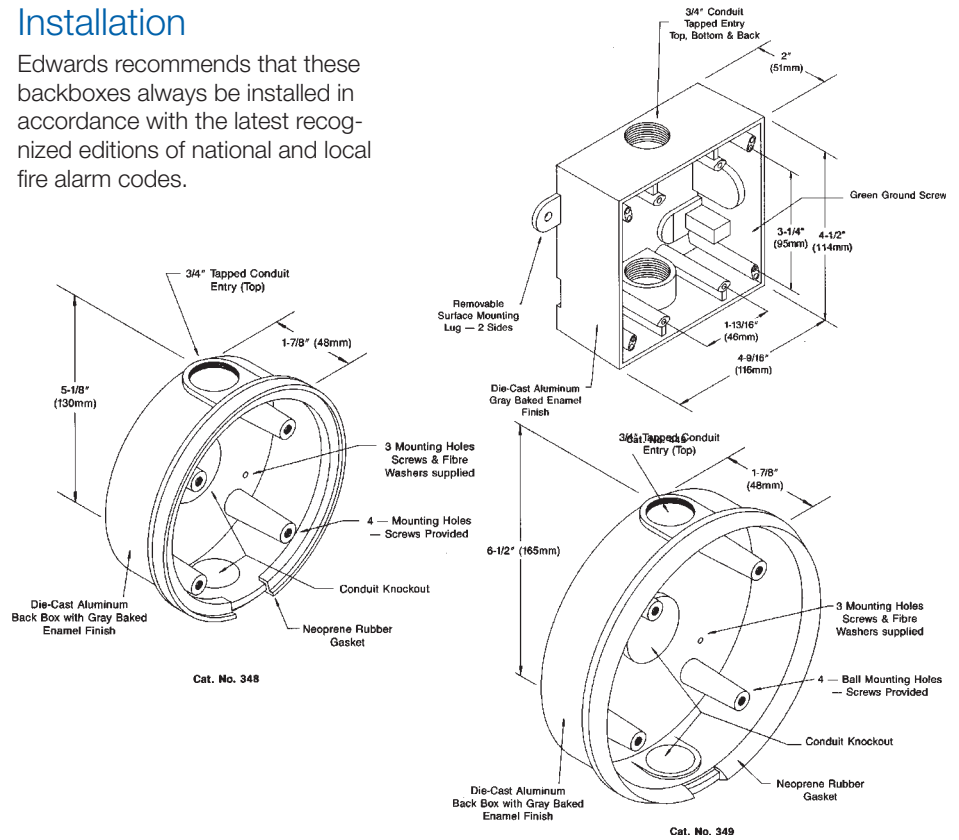
Email: inquiries@chubbedwards.com

Web: www.chubbedwards.com

© 2013 UTC Fire & Security Americas Corporation, Inc. All rights reserved. Specifications subject to change without notice. Edwards is part of UTC Climate, Controls & Security, a unit of United Technologies Corporation.

Installation

Edwards recommends that these backboxes always be installed in accordance with the latest recognized editions of national and local fire alarm codes.



Specifications

Catalog Number	348	349	449
Dimensions	5-1/8" (130mm) Diameter x 1-7/8" (48mm) Deep	6-1/2" (165mm) Diameter x 1-7/8" (48mm) Deep	4-9/16" (116mm) Square x 2" (51mm) Deep
Conduit Entry	3/4" Top		3/4" Top, Back, Bottom
Material	Die Cast Aluminum		
Gasket	Molded Neoprene Rubber	Closed Cell Neoprene	
Finish	Sage Gray Baking Enamel		

Ordering Information

Catalog Number	Description	Shipping Weight
348	Weatherproof Backbox — Surface Mount with Gasket, 5-1/8" (130mm) Diameter	0.33 lb (0.15kg)
349	Weatherproof Backbox — Surface Mount with Gasket, 6-1/2" (165mm) Diameter	0.5 lb (0.2kg)
449	Weatherproof Backbox — Surface Mount with Gasket, 4-9/16" (116mm) Square.	0.33 lb (0.15kg)