

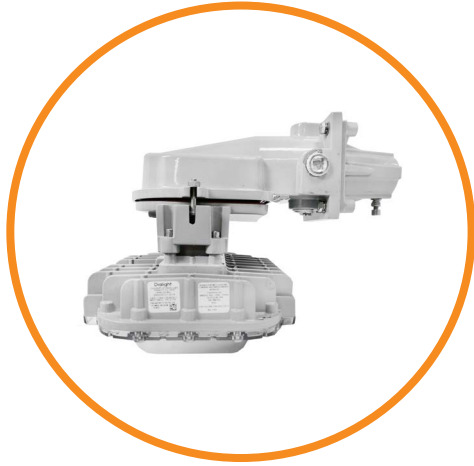
Dialight



Dialight® LED Conveyor Light - CE / RCM
for Indoor and Outdoor Industrial Applications

Vigilant® LED Conveyor Light - CE / RCM

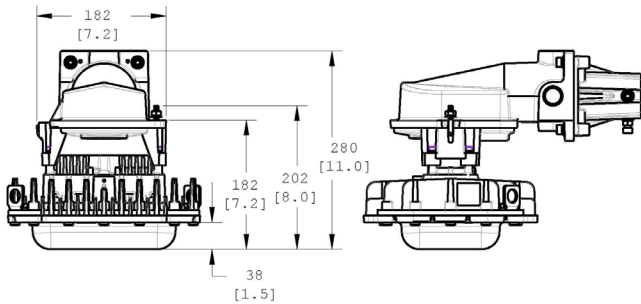
Standard Model



Certifications & Ratings*

- 10-year warranty
- CE
- ENEC
- RCM (pending)
- IP66 / 67
- D-marked
- EN 60598-1: 2015
- EN 60598-2-1: 1989
- EN 60598-2-24: 2013
- EN 62471: 2008

*ETL listed



Dimensions in mm [inches]

Mechanical Information:

Fixture weight: 6.7 kg (15 lbs) - Polycarbonate lens
8.1 kg (18 lbs) - Tempered glass lens

Shipping weight: Add 0.91 kg (2 lbs) to weights above

Impact rating: IK10 - Polycarbonate lens
IK07 - Tempered glass lens

Electrical Specifications:

Operating voltage: 100-277V AC 50/60Hz, 120-250V DC

Operating temperature: -40°C to +65°C (-40°F to +149°F)

EMC: EN 62493: 2015, EN 61547: 2009,
EN 61000-3-2: 2015,
EN 61000-3-3: 2013

Transient protection: 6 kV / 3kA combination wave, as per
IEEE C62.41, line-line and line-ground

Harmonics: IEC 61000-3-2, Class C

THD: < 20%

Power factor: > 0.9

Construction:

Housing: Copper free aluminum

Finish: Superior dual coat finish
- Sealed polyester topcoat
- Chemical-resistant epoxy primer

Corrosion resistance: 3,000-hour salt spray per ASTM B117

Lens¹: Hard-coated polycarbonate
Tempered glass

Photometric Information:

CRI: 80

CCT: 5000K (cool white)
4000K (neutral white)
2700K (warm white)

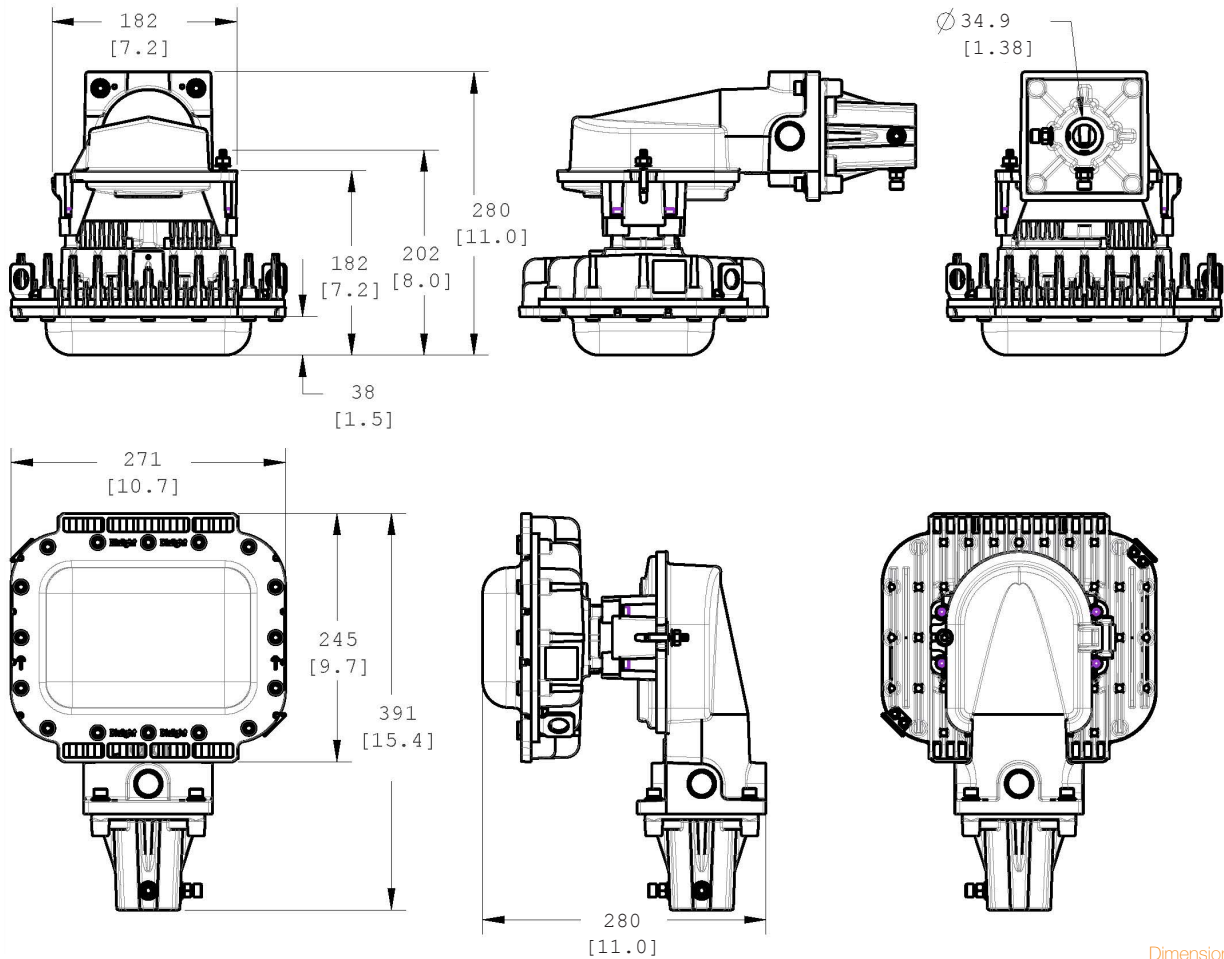
Optics: Conveyor

All values typical unless otherwise stated (tolerance +/- 10%)

Vigilant® LED Conveyor Light - CE / RCM

Dimensional Drawings

34mm Slip-Fit Pole Mount



Dimensions in mm [inches]



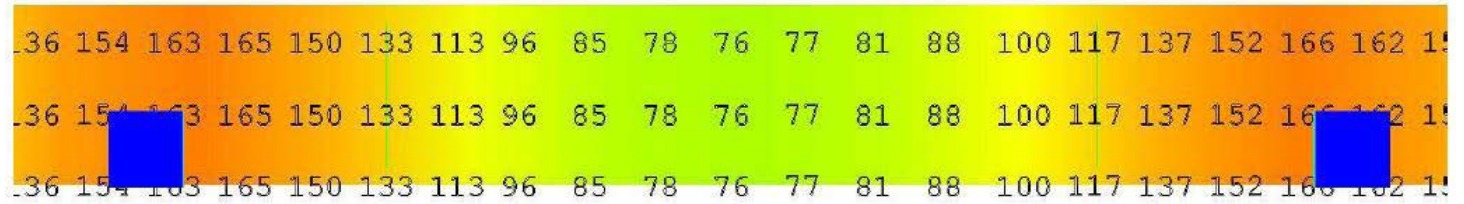
Vigilant® LED Conveyor Light - CE / RCM

Lighting Layouts

ALE5WC27DYNUGN

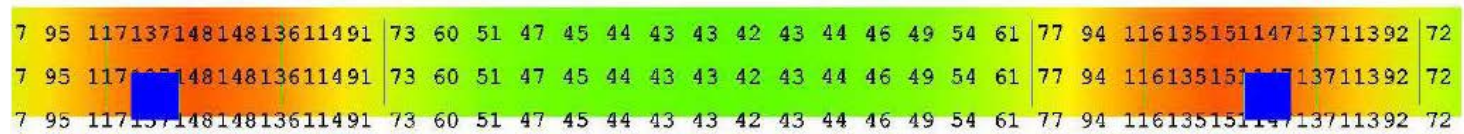
Calculation Summary - Mounting Height: 3m, Spacing: 8m

Calc Type	Units	Avg	Max	Min	Min/Ave.	Max/Min
Illuminance	Lux	111.56	166	60	0.53	2.77



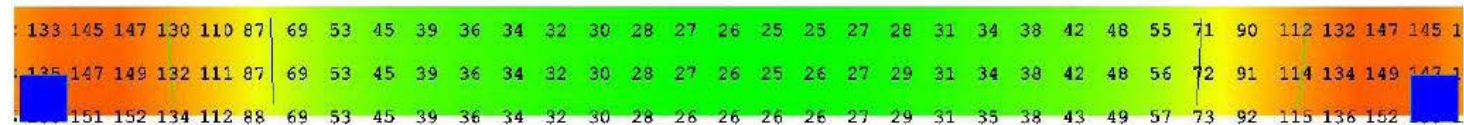
Calculation Summary - Mounting Height: 3m, Spacing: 12m

Calc Type	Units	Avg	Max	Min	Min/Ave.	Max/Min
Illuminance	Lux	78.03	151	42	0.53	3.60



Calculation Summary - Mounting Height: 3m, Spacing: 15m

Calc Type	Units	Avg	Max	Min	Min/Ave.	Max/Min
Illuminance	Lux	65.19	152	25	0.38	6.08

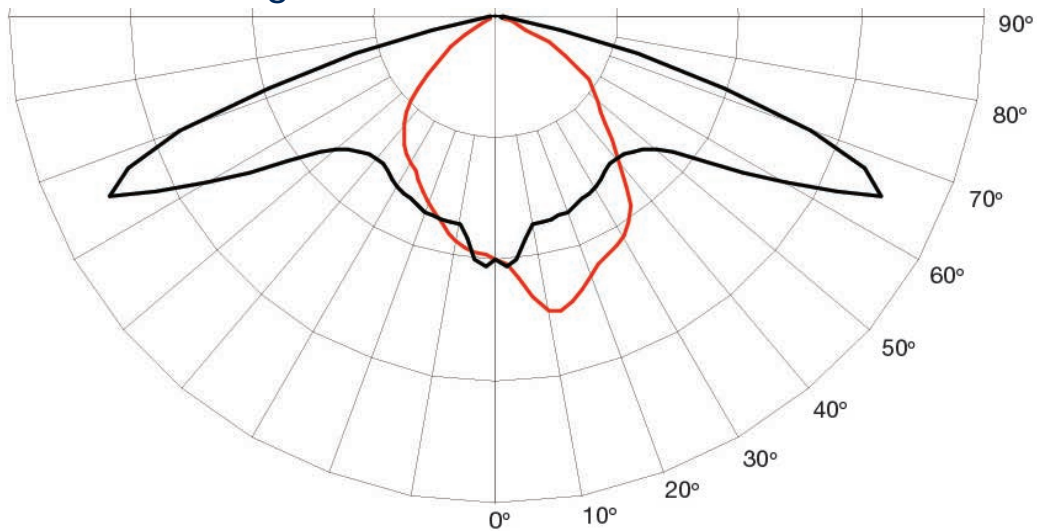


Vigilant® LED Conveyor Light - CE / RCM

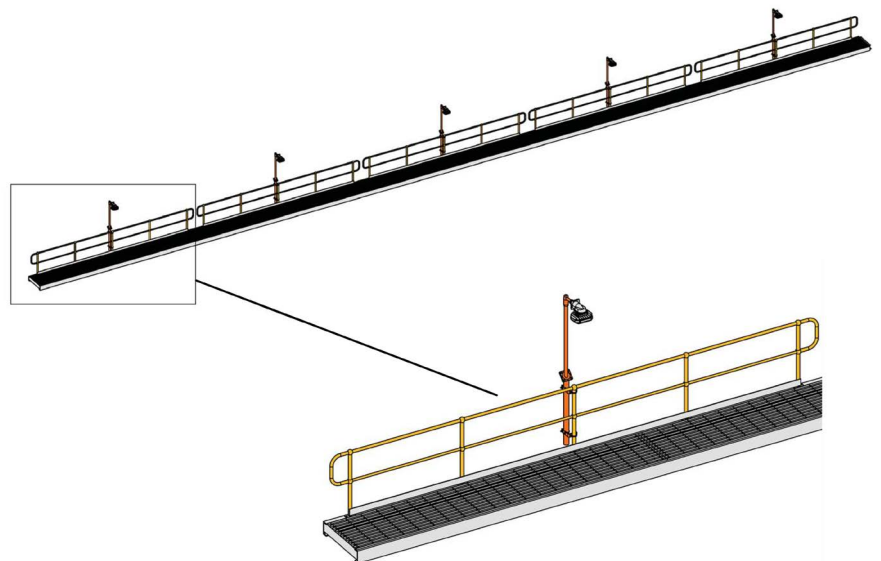
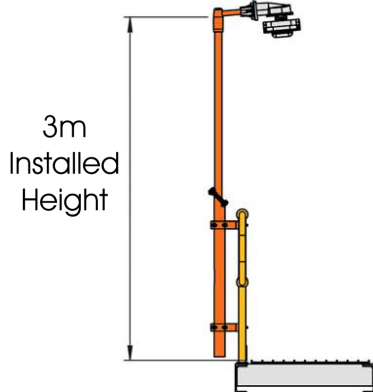
Ordering Information

Ordering Information											
Part Number	Certification	Lens Material	Beam Distribution	CCT	CRI	Lumens	Wattage	Lm/W	Mounting Options	Hardware Accessories	Electrical Accessories
ALE5WC27DYNUGN	CE / RCM	Polycarbonate	Wide	5000K	80	6,700	64	105	34mm conveyor mount	Screw down terminal block	Cable gland
ALE5WN27DYNUGN	CE / RCM	Polycarbonate	Wide	4000K	80	6,500	64	103	34mm conveyor mount	Screw down terminal block	Cable gland
ALE5WW27DYNUGN	CE / RCM	Polycarbonate	Wide	2700K	80	6,000	64	95	34mm conveyor mount	Screw down terminal block	Cable gland

Wide Beam Angle



Dialight Luminaire
Conveyor Light
Wall Mount with
Pole adaptor



North American HQ

1501 Route 34 South
Farmingdale, NJ 07727
Tel: 732-919-3119
Fax: 732-751-5778
info@dialight.com

EMEA Technical Centre

Ejby Industrivej 91 B
2600 Glostrup
Tel: +45 8877 4545 (Denmark)
Tel: +44 1638 666541 (UK)
Tel: +49 89 12089 5713 (Germany)
Tel: +33 3 23 22 62 58 (France)
sales-europe@dialight.com

Houston

16830 Barker Springs Rd
Ste 407
Houston, TX 77084
Tel: 732-919-3119
Fax: 281-492-1531
info@dialight.com

Middle East

Level 42
Emirates Towers (Office Tower)
Sheikh Zayed Road
Dubai, United Arab Emirates
Fax: +971 (0) 4319 7686
Tel: +971 (0) 4319 7686

Australia

38 O'Malley Street
Osborne Park, WA 6017
Tel: +61 (0) 8 9244 7600
Fax: +61 (0) 8 9244 7601
info@dialight.com.au

Southeast Asia

33 Ubi Avenue 3
#07-72 Vertex (Tower A)
Singapore 408868
Tel: +65 6578 7157
Fax: +65 6578 7150
enquiry@dialight.com.sg

Brazil

Alameda Mercurio,
225 – American Park Empresarial NR
Indaiatuba – SP – 13347– 662
Tel: +55 (19) 3113-4300
Fax: +55 (19) 3113-4300
brasil@dialight.com

ALL VALUES ARE DESIGN OR TYPICAL VALUES WHEN MEASURED UNDER LABORATORY CONDITIONS. THE LIGHTING EFFICIENCY STATEMENTS CONTAINED HEREIN ARE CALCULATED ON A LUMEN PER WATTS BASIS WHEN COMPARING FIXTURES WITH SIMILAR FEATURES. ALL INFORMATION PROVIDED IS ACCURATE AS OF THE DATE OF PUBLICATION, IS SUBJECT TO CHANGE WITHOUT NOTICE AND DOES NOT FORM PART OF ANY CONTRACT WITH DIALIGHT. DIALIGHT DOES NOT WARRANT OR REPRESENT THAT ITS PRODUCTS ARE FIT FOR ANY PARTICULAR PURPOSE AND HAS NO RESPONSIBILITY FOR THE [INAPPROPRIATE/UNAUTHORISED/NON-APPROVED] USE OF ANY DIALIGHT PRODUCTS BY THE END USER.

Dialight reserves the right to make changes at any time in order to supply the best product possible.

The most current version of this document will always be available at: www.dialight.com