



TRANSFORMER DISCONNECTS

APFB-ABB - NEMA 1 / IP22

Low Profile Flange Mounted Switch (0.5 kVA - 3 kVA)

APFB - NEMA 1 / IP22

Low Profile (2 kVA - 3 kVA)

CVFB - NEMA 1 / IP22

Constant Voltage (1 kVA - 5 kVA)

CVFB Mounting Configurations

DTFB - NEMA 1 / IP22

Dual Transformer (1 kVA - 4 kVA)

LTFB - NEMA 1 / IP22

Low Profile (0.5 kVA - 3 kVA)

LTFS - NEMA 1 / IP22

Low Profile (0.5 kVA - 3 kVA)

GM2F1F - NEMA 1 / IP22

Modular Transformer Disconnect (1 kVA - 3 kVA)

GMDGT - NEMA 1 / IP22

Compact Transformer Disconnect (0.5 kVA - 1 kVA)

GOMDGT - NEMA 1 / IP22

Compact Transformer Disconnect (1.5 kVA - 3 kVA)

MDGT - NEMA 1 / IP22

Compact Transformer Disconnect (0.5 kVA - 1 kVA)

OMDGT - NEMA 1 / IP22

Compact Transformer Disconnect (1.5 kVA - 3 kVA)

GPFB - NEMA 12 / IP54

General Purpose (0.50 kVA - 3 kVA)

GPFS - NEMA 12 / IP54

General Purpose (0.50 kVA - 3 kVA)

GNTB - NEMA 12 / IP54

General Purpose (5 kVA - 10 kVA)

STDAB1 - NEMA 12 / IP54

General Purpose Flange Mounted Switch (1 kVA - 3 kVA)

Options Available for Transformer Disconnects

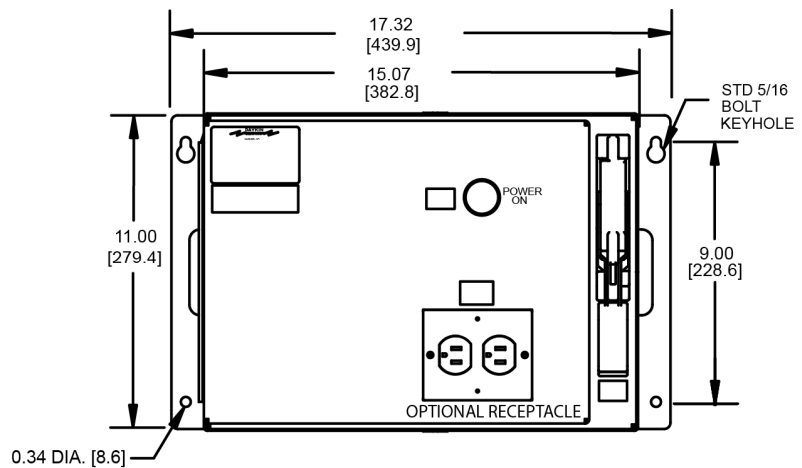
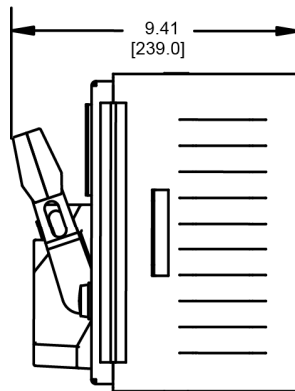
Transformer Disconnect - NEMA 1 / IP22 APFB-ABB Series

Low Profile Flange Mounted Switch (0.5 kVA - 3 kVA)

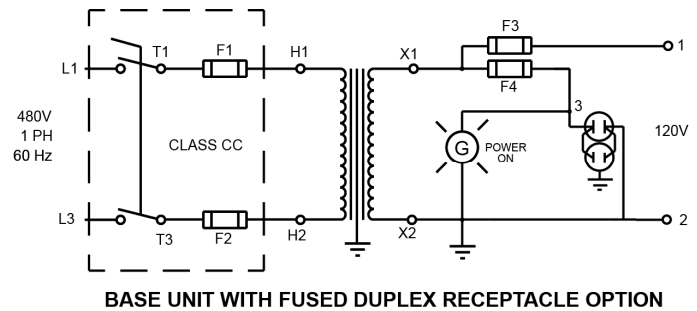
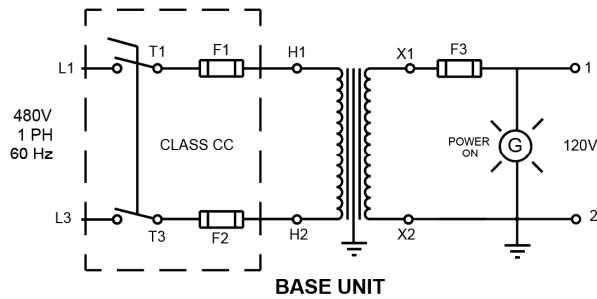
The Daykin APFB-ABB is suitable for applications ranging from 0.5kVA - 3 kVA. It features a flange mounted disconnect switch. This NEMA 1 enclosure features louvers to allow for thermal dissipation for use within relatively shallow control panel enclosures.

Features

- 200 kA RMS short circuit current rating
- Lockable switch in the off position with primary integral CLASS CC fuses
- Secondary fuseholders only - suitable for 13/32 " x 1 1/2 " fuses
- Electrostatically shielded transformer provides positive protection against short circuits from the primary to the secondary, as well as attenuating high frequency noise and transients.
- Flange mounted disconnect switch with visible blade construction, lockable in the off position with up to three (3) padlocks
- Power-on pilot light
- Optional 15 Amp receptacle
- Listed



ALL DIMENSIONS ARE IN INCHES AND [MM]



Transformer kVA Rating	Model	Fuse Rating/Amps		Approx. Weight lb (kg)
		Primary F1 & F2	Max. Secondary F3 & F4	
0.5	APFB-ABB-0.5	3	6	60 (27)
1.0	APFB-ABB-1	6	12	65 (29)
2.0	APFB-ABB-2	12	25	78 (35)
3.0	APFB-ABB-3	20	30	93 (42)

Note: Secondary fuses are not provided

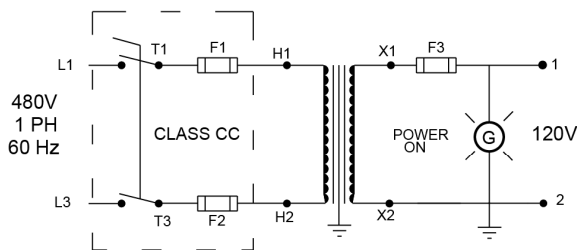
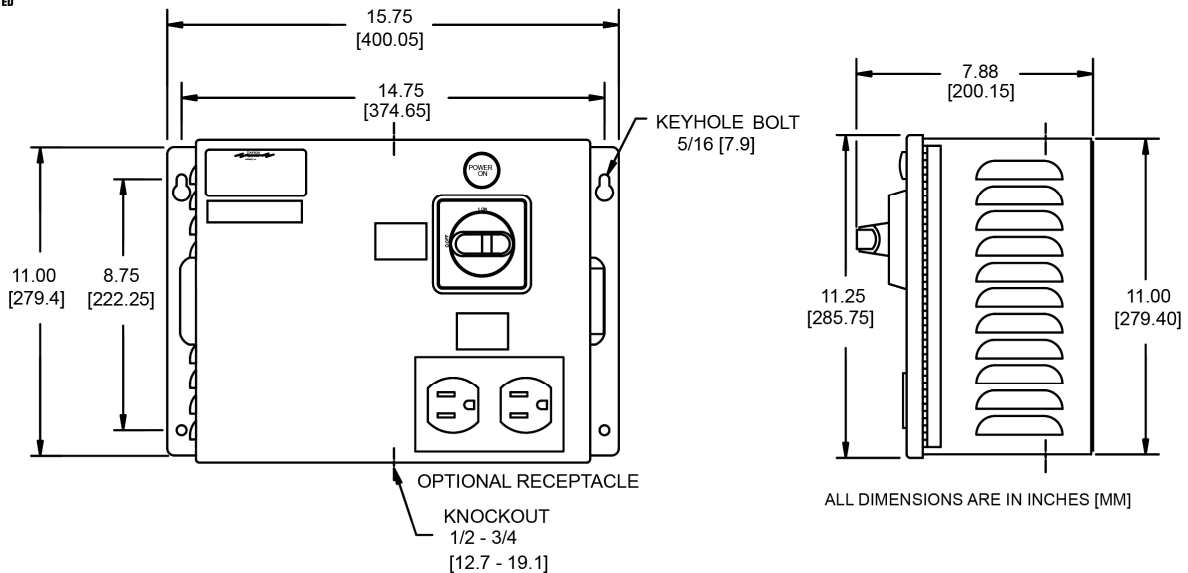
Transformer Disconnect - NEMA 1 / IP22 APFB Series

Low Profile (2 kVA - 3 kVA)

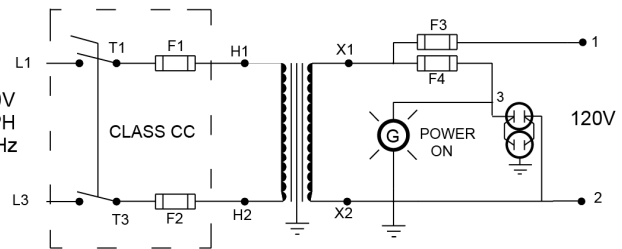
The Daykin APFB Series is suitable for use on circuits capable of delivering 200,000 A RMS symmetrical short circuit current to meet the most stringent Canadian and USA requirements. This NEMA 1 enclosed assembly features an overall depth of 7.88 " for use within relatively shallow control panel enclosures.

Features

- 200kA RMS short circuit current rating
- Lockable switch in the off position with primary integral CLASS CC fuses
- Secondary fuseholders only - suitable for 13/32 " x 1 1/2 " fuses
- Electrostatically shielded transformers
- An overall depth of 7.88 " for use with relatively shallow control panel enclosures
- Power-on pilot light
- Optional 15 Amp receptacle
- Listed



BASE UNIT



BASE UNIT WITH FUSED DUPLEX RECEPTACLE OPTION

Transformer kVA Rating	Model	Fuse Rating/Amps		Approx. Weight lb (kg)
		Primary F1 & F2	Max. Secondary F3 & F4	
2.0	APFB-2	12	25	53 (24)
3.0	APFB-3	20	30	80 (36)

Note: Secondary fuses are not provided

Transformer Disconnect - NEMA 1 / IP22 CVFB Series

Constant Voltage (1 kVA - 5 kVA)

The Daykin CVFB Series offers a powerful combination of transformer disconnect with a surge-suppressed regulated voltage output tailored to the specific power needs of PLC, computer based controls and other voltage and noise sensitive equipment. The 200 kA SCCR exceeds the most stringent UL 508A & Canadian requirements. This provides a higher level of protection in the case of catastrophic fault currents.

Features

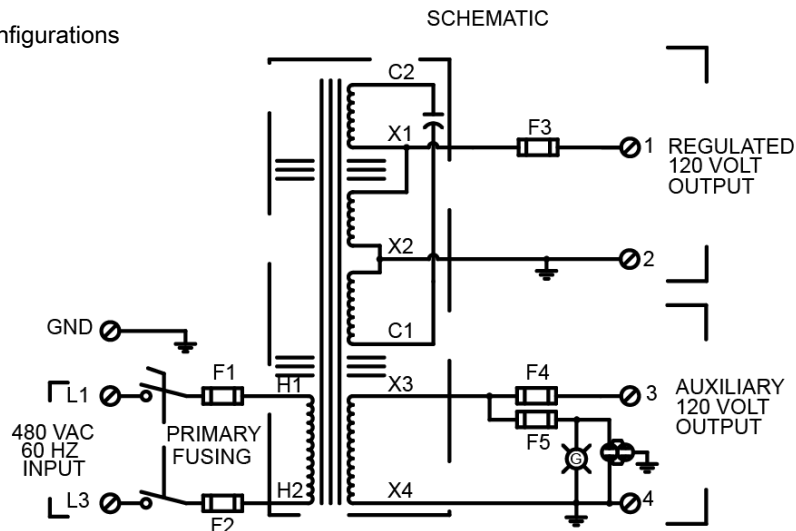
- 200 kA RMS short circuit current rating
- Lockable switch in the off position with primary integral CLASS CC fuses
- Secondary fuseholders only - suitable for 13/32 "x 1 1/2" fuses
- Voltage regulation
- Surge and noise suppression
- Power-on pilot light
- 15 Amp GFCI receptacle
- Four flexible mounting configurations
- Listed

Specifications

Input: 408-552 Volts, 480 Volts nominal, single phase 60 Hz

Output: Regulated 120V \pm 3% for an input range of 480V \pm 15%

Unregulated 120V Auxiliary



Model CVFB	Separate Auxiliary kVA	Regulated Auxiliary kVA	Primary Amps F1 & F2	Maximum Secondary Current		Approx. Wt. lb (kg)
				Auxiliary	Regulated	
CVFB*-0707	0.5	0.5	6	6	6	120 (54)
CVFB*-0507	1.0	0.5	10	12	6	132 (60)
CVFB*-0705	0.5	1.0	10	6	12	132 (60)
CVFB*-0505	1.0	1.0	12	12	12	165 (75)
CVFB*-0701	0.5	2.0	15	6	25	176 (80)
CVFB*-0501	1.0	2.0	20	12	25	177 (80)
CVFB*-0515	1.0	3.0	25	12	30	197 (89)
CVFB*-0301	1.5	2.0	20	20	25	200 (91)
CVFB*-0101	2.0	2.0	25	25	25	210 (95)
CVFB*-1501	3.0	2.0	30	30	25	215 (98)

*Select mounting configuration letter when ordering.

- A - Top Mount
- B - Side Mount
- C - Front Mount
- D - Modular Mount

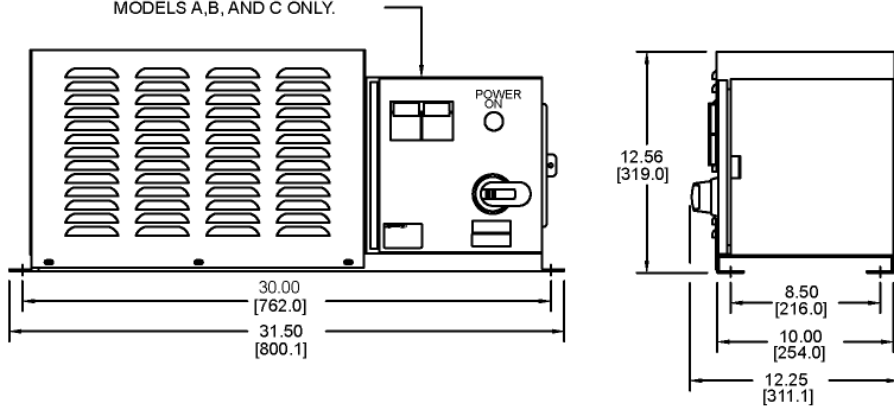
Note: Model D - shipped in two separate enclosures, requires customer to interconnect. Dashed area indicates transformer and capacitor section.

Note: Secondary fuses are not provided

Mounting Configurations

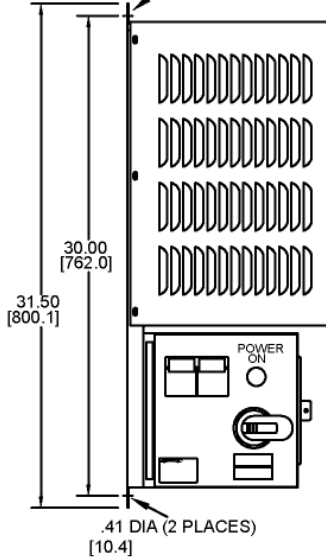
MODEL A: TOP MOUNT

DISCONNECT COMPARTMENT NEMA 12
MODELS A,B, AND C ONLY.



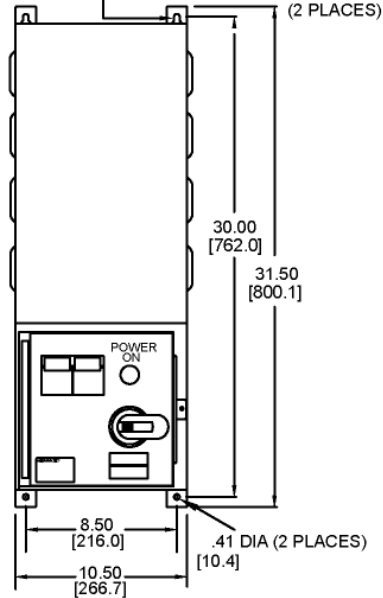
MODEL B: SIDE MOUNT

STANDARD .375 [9.5] BOLT KEYHOLE
(2 PLACES)



MODEL C: FRONT MOUNT

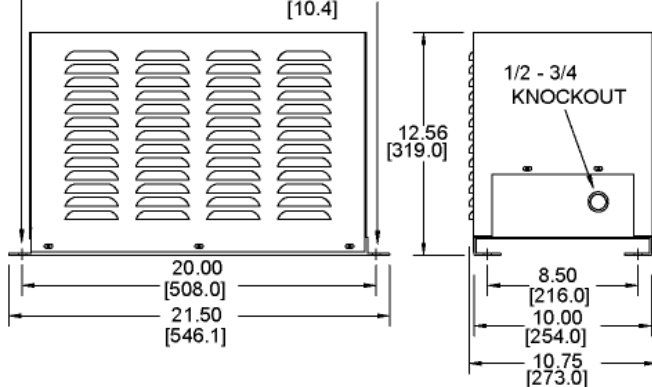
STANDARD .375 [9.5] BOLT KEYHOLE
(2 PLACES)



MODEL D: MODULAR

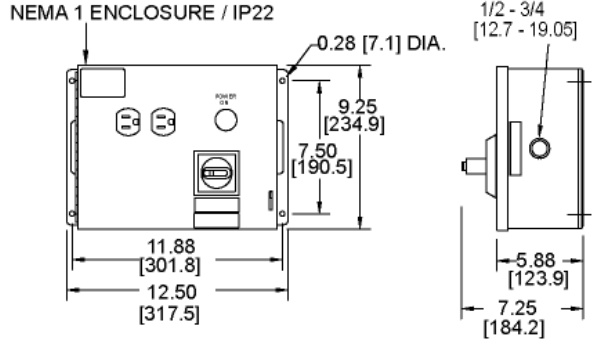
.41 X .69 KEYHOLE (2) PLACES
[10.4 x 17.5]

.41 DIA (2) PLACES
[10.4]



NEMA 1 ENCLOSURE / IP22

KNOCKOUTS ALL (4) SIDES



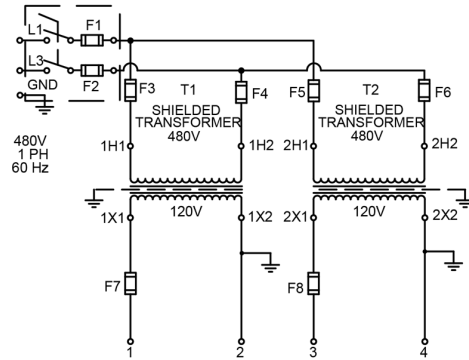
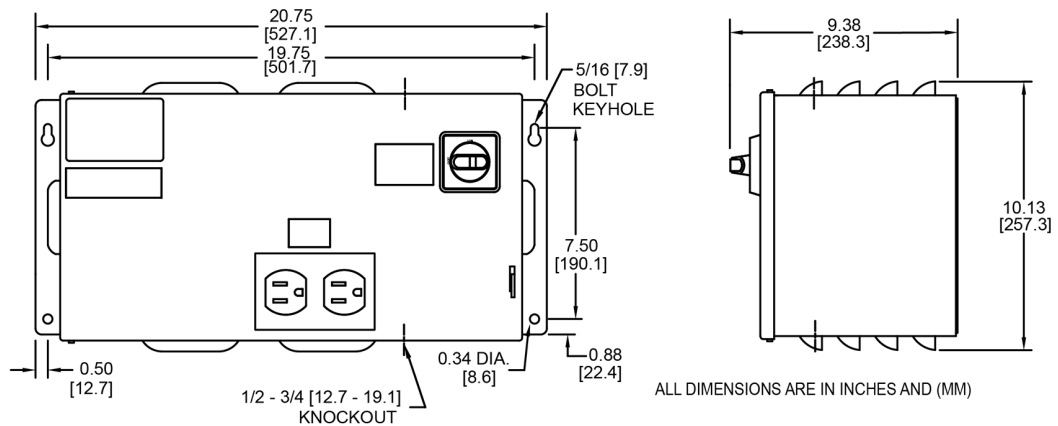
ALL DIMENSIONS ARE IN INCHES AND (MM)

Dual Transformer (1 kVA - 4 kVA)

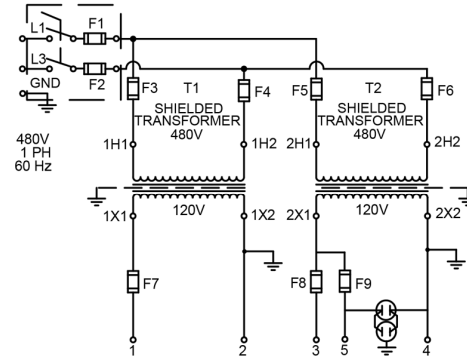
The Daykin DTFB Series provides two independent transformers to supply separate outputs for machine tool and auxiliary functions. Both transformers are electrostatically shielded to provide enhanced protection against noise and transients.

Features

- 200 kA RMS short circuit current rating
- Lockable switch in the off position with primary integral CLASS CC fuses
- Secondary fuseholders only - suitable for 13/32" x 1 1/2" fuses
- Electrostatically shielded transformers
- Two independent outputs
- Wide range of transformer ratings
- Optional 15 Amp receptacle
- Listed



BASE UNIT



BASE UNIT WITH FUSED DUPLEX RECEPTACLE OPTION

T1 kVA	T2 kVA	Model	Fuse Rating/Amps					Approx. Weight lb (kg)
			Primary	Max. Secondary				
			F1 & F2	F3 & F4	F5 & F6	F7	F8 & F9	
0.5	0.5	DTFB-0707	6	2	2	6	6	53 (24)
1.0	0.5	DTFB-0507	10	5	2	12	6	80 (36)
1.0	1.0	DTFB-0505	12	5	5	12	12	80 (36)
1.0	2.0	DTFB-0501	20	5	10	12	25	53 (24)
1.0	3.0	DTFB-0515	25	5	15	12	30	80 (36)

Note: Secondary fuses are not provided

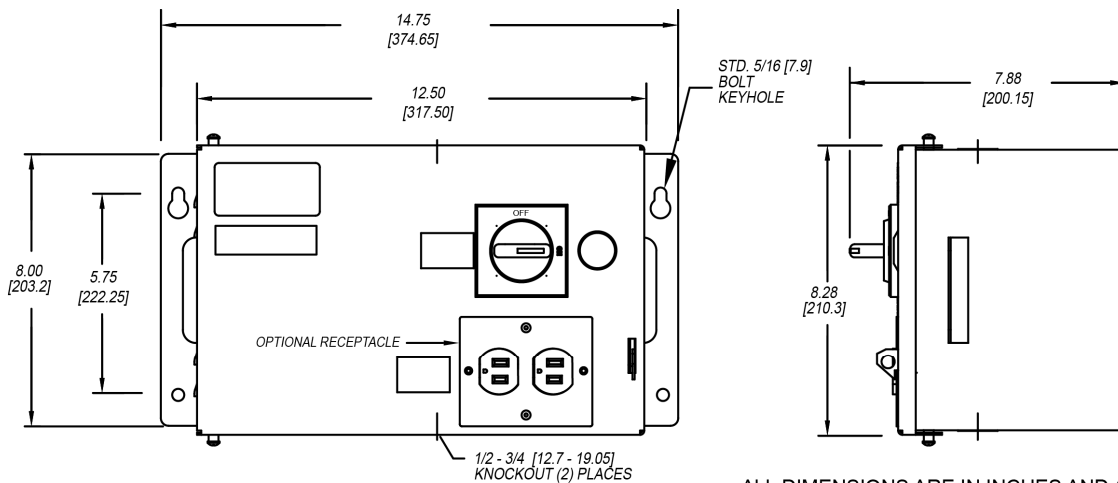
Transformer Disconnect - NEMA 1 / IP22 LTFB Series

Low Profile (0.5 kVA - 3 kVA)

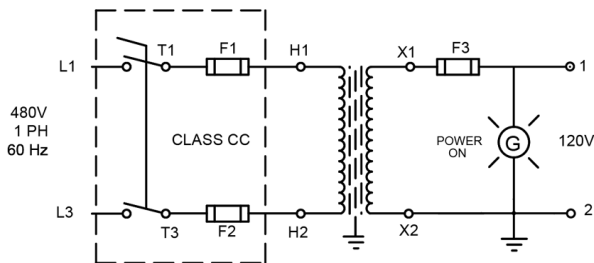
The Daykin LTFB Series is based on the original Daykin transformer disconnect and features a low profile design. The enclosure is less than 8" (203.2 mm) in depth. This series is available from 0.50 kVA through 2 kVA. All transformers are electrostatically shielded. This series is utilized for a wide variety of applications including interior panel lighting.

Features

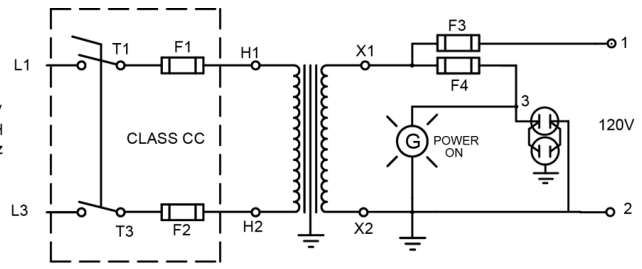
- 200 kA RMS short circuit current rating
- Lockable switch in the off position with primary integral CLASS CC fuses
- Secondary fuseholders only - suitable for 13/32 " x 1 1/2 " fuses
- Electrostatically shielded transformers
- An overall depth of 7.88 " for use within relatively shallow control panel enclosures
- Power-on pilot light
- Optional 15 Amp receptacle
- LISTED



ALL DIMENSIONS ARE IN INCHES AND (MM)



BASE UNIT



BASE UNIT WITH FUSED RECEPTACLE OPTION

Transformer kVA Rating	Model	Fuse Rating/Amps		Approx. Weight lb (kg)
		Primary F1 & F2	Max. Secondary F3 & F4	
0.5	LTFB-0.5	3	6	29 (13)
1.0	LTFB-1	6	12	35 (16)
1.5	LTFB-1.5	10	20	42 (18)
2.0	LTFB-2	12	25	51 (23)
3.0	LTFB-3	20	30	80 (36)

Note: Secondary fuses are not provided

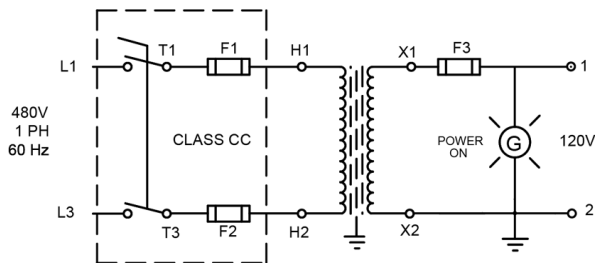
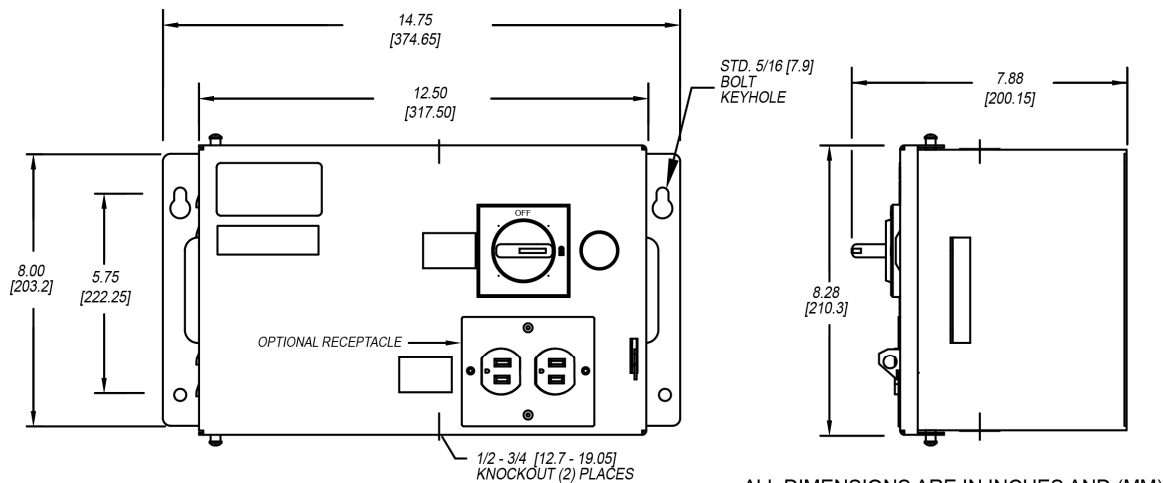
Transformer Disconnect - NEMA 1 / IP22 LTFS Series

Low Profile (0.5 kVA - 3 kVA)

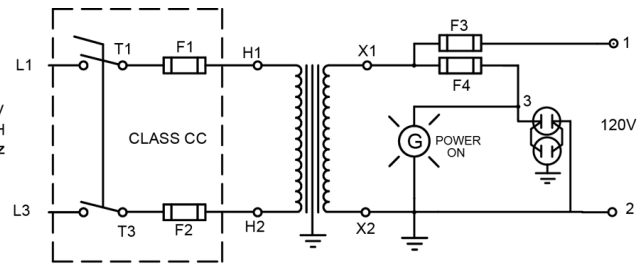
The Daykin LTFS Series is based on the original Daykin transformer disconnect and features a low profile design. The enclosure is less than 8" (203.2 mm) in depth. This series is available from 0.50 kVA through 2 kVA. All transformers are electrostatically shielded. This series is utilized for a wide variety of applications including interior panel lighting.

Features

- 5 kA RMS short circuit current rating
- Lockable switch in the off position with primary CLASS CC fuses
- Secondary fuseholders only - suitable for 13/32" x 1 1/2" fuses
- Electrostatically shielded transformers
- An overall depth of 7.88" for use within relatively shallow control panel enclosures
- Power-on pilot light
- Optional 15 Amp receptacle



BASE UNIT



BASE UNIT WITH FUSED RECEPTACLE OPTION

Transformer kVA Rating	Model	Fuse Rating/Amps		Approx. Weight lb (kg)
		Primary F1 & F2	Max. Secondary F3 & F4	
0.5	LTFS-0.5	3	6	29 (13)
1.0	LTFS-1	6	12	35 (16)
1.5	LTFS-1.5	10	20	42 (18)
2.0	LTFS-2	12	25	51 (23)
3.0	LTFS-3	20	30	80 (36)

Note: Secondary fuses are not provided

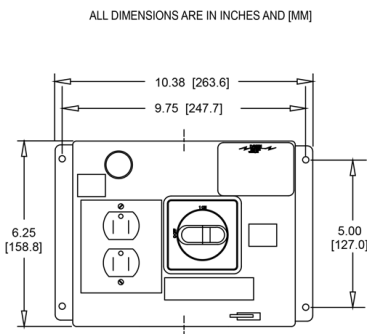
Transformer Disconnect - NEMA 1 / IP22 GM2F1F Series

Modular Transformer Disconnect (1 kVA - 3 kVA)

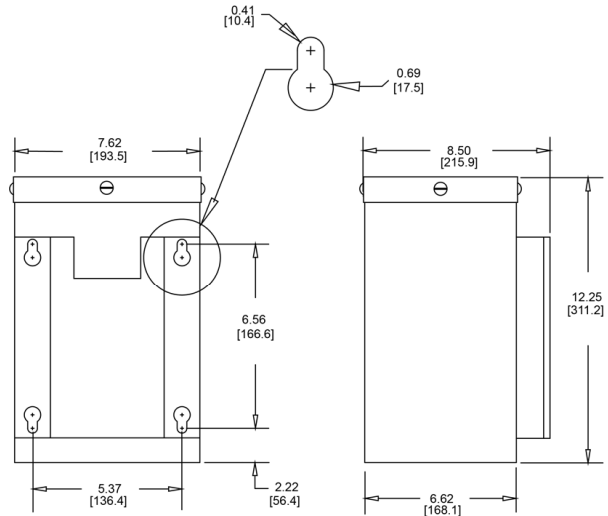
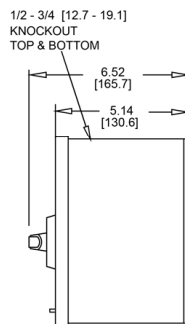
The Daykin GM2F1F Series is modular in construction. This transformer disconnect is a two component system. The transformer compartment is epoxy encapsulated, enclosed and designed to mount on the outside of the control panel. The disconnect compartment accommodates the switch and all overcurrent protection. This NEMA 1 / IP22 compartment is designed to mount inside the control panel. All termination points are well identified for easy interconnection. This system is well suited for applications where backplate space is at a premium. It also avoids additional heat load loss within the control panel.

Features

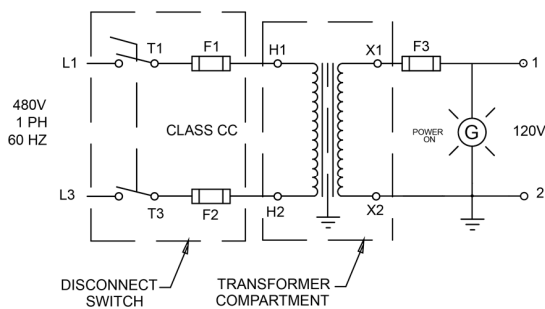
- 200 kA RMS short circuit rating
- Lockable switch in the off position with primary integral CLASS CC fuses
- Secondary fuseholders only - suitable for 13/32" x 1 1/2" fuses
- Electrostatically shielded transformers
- Power-on pilot light
- Optional 15 Amp receptacle
- Listed



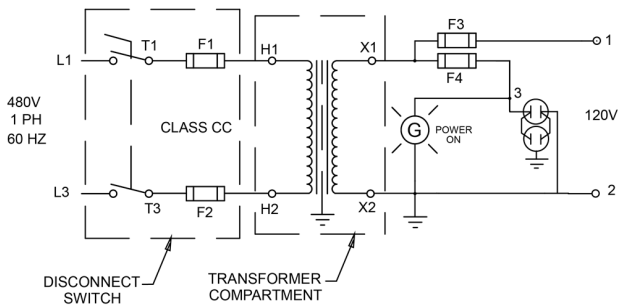
DISCONNECT COMPARTMENT



TRANSFORMER COMPARTMENT



BASE UNIT



BASE UNIT WITH FUSED DUPLEX RECEPTACLE OPTION

Transformer kVA Rating	Model	Fuse Rating/Amps		Approx. Weight lb (kg)
		Primary F1 & F2	Max. Secondary F3 & F4	
1.0	GM2F1F-1	6	12	39 (18)
1.5	GM2F1F-1.5	10	20	59 (27)
2.0	GM2F1F-2	12	25	78 (35)
3.0	GM2F1F-3	20	30	91 (41)

Note: Secondary fuses are not provided

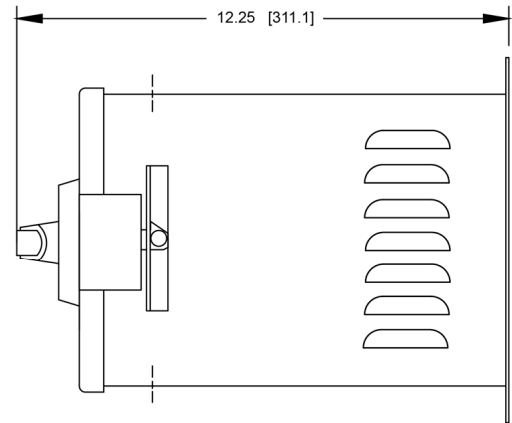
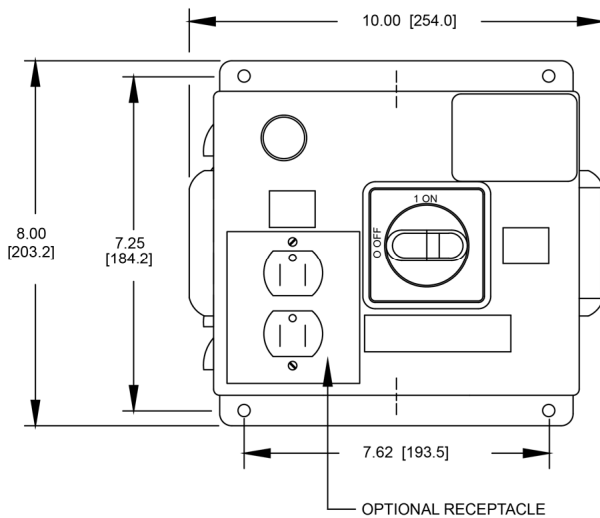
Transformer Disconnect - NEMA 1 / IP22 GMDGT Series

Compact Transformer Disconnect (0.5 kVA - 1 kVA)

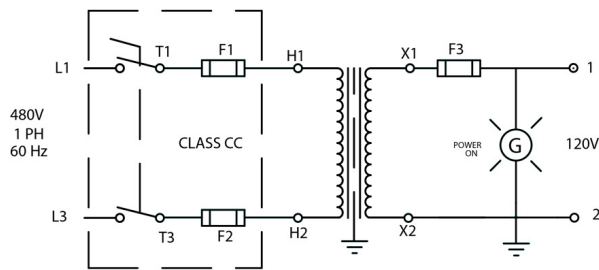
The GMDGT Series is suitable for use on circuits capable of delivering up to 200,000 amps RMS symmetrical short circuit current to meet the most stringent Canadian and UL 508A requirements. This NEMA 1 / IP22 enclosed series features a small footprint for applications where back plate space is at a premium.

Features

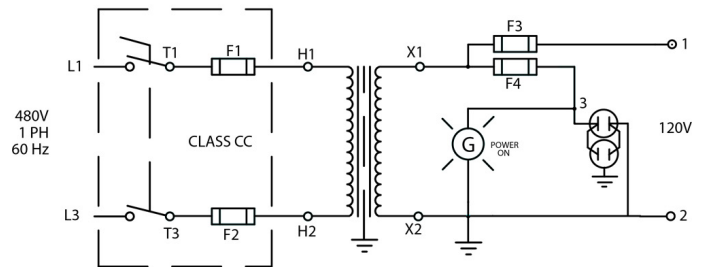
- 200 kA RMS short circuit current rating
- Lockable switch in the off position with primary integral CLASS CC fuses
- Secondary fuseholders only - suitable for 13/32 " x 1 1/2 " fuses
- Electrostatically shielded transformers
- Power-on pilot light
- Optional 15 Amp receptacle
- Listed



ALL DIMENSIONS ARE IN INCHES AND [MM]



BASE UNIT



BASE UNIT WITH FUSED RECEPTACLE OPTION

Transformer kVA Rating	Model	Fuse Rating/Amps		Approx. Weight lb (kg)
		Primary F1 & F2	Max. Secondary F3 & F4	
0.5	GMDGT-0.5	3	6	31 (14)
1.0	GMDGT-1	6	12	39 (18)

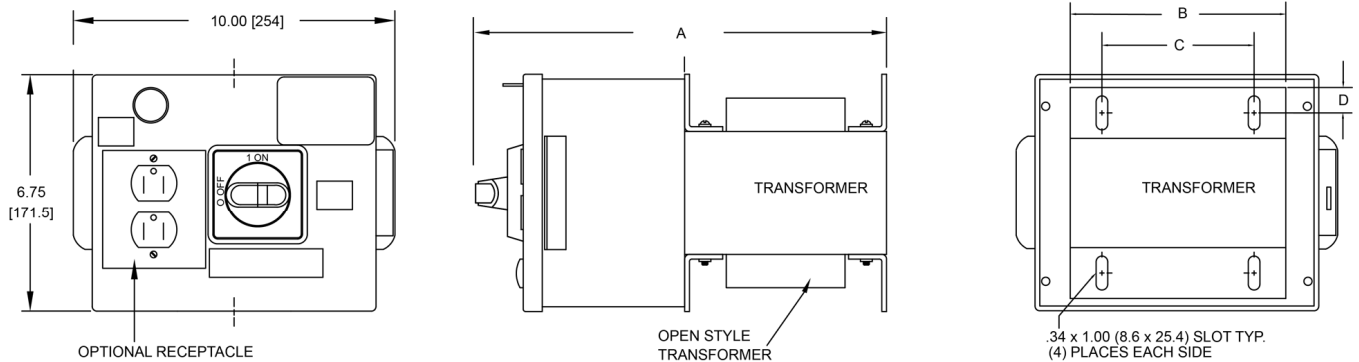
Note: Secondary fuses are not provided

Compact Transformer Disconnect (1.5 kVA - 3 kVA)

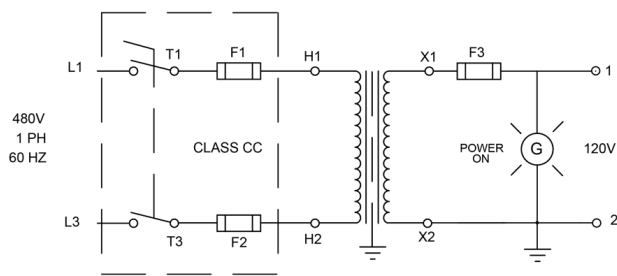
The GOMDGT Series is suitable for use on circuits capable of delivering up to 200,000 amps RMS symmetrical short circuit current to meet the most stringent Canadian and UL 508A requirements. This series offers a NEMA 1 / IP22 enclosed disconnect with a choice of three large open transformers, while maintaining the smallest possible footprint.

Features

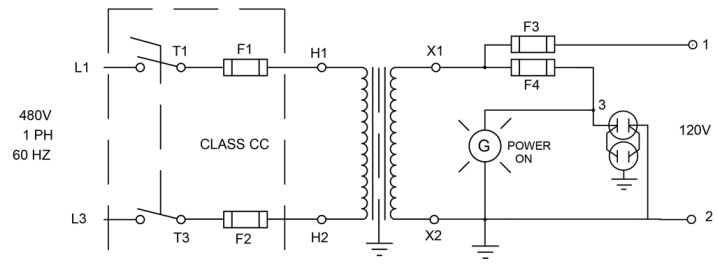
- 200 kA RMS short circuit current rating
- Lockable switch in the off position with primary integral CLASS CC fuses
- Secondary fuseholders only - suitable for 13/32" x 1 1/2" fuses
- Electrostatically shielded transformers
- Open style transformer for maximum thermal dissipation
- Variable mounting dimensions
- Power-on pilot light
- Optional 15 Amp receptacle
- Listed



ALL DIMENSIONS ARE IN INCHES AND [MM]



BASE UNIT



BASE UNIT WITH FUSED DUPLEX RECEPTACLE OPTION

Transformer kVA Rating	Model	Fuse Rating/Amps		Dimensions are in inches and (mm)				Approx. Weight lb (kg)
		Primary F1 & F2	Max. Secondary F3 & F4	A	B	C	D	
1.5	GOMDGT-1.5	10	20	11.77 (299)	6.38 (162)	4.50 (114)	.69 (17.5)	38 (17)
2.0	GOMDGT-2	12	25	11.77 (299)	6.38 (162)	4.50 (114)	.69 (17.5)	39 (18)
3.0	GOMDGT-3	20	30	12.71 (323)	7.50 (191)	5.50 (140)	.90 (22.9)	55 (25)

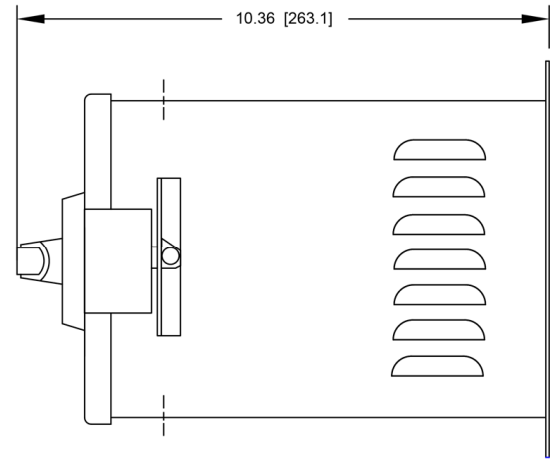
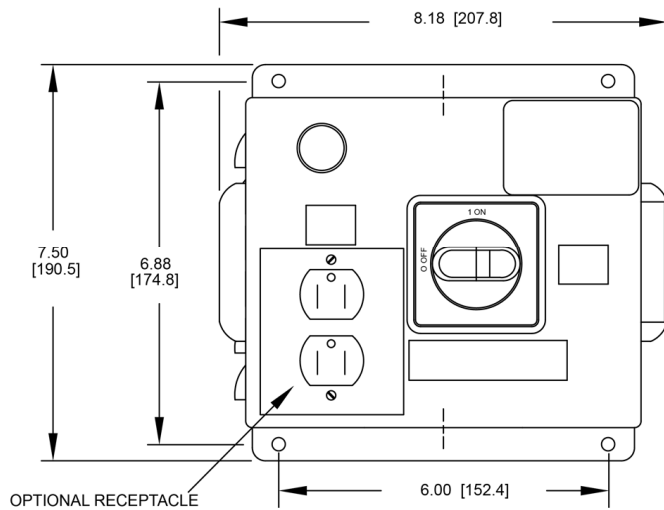
Note: Secondary fuses are not provided

Compact Transformer Disconnect (0.5 kVA - 1 kVA)

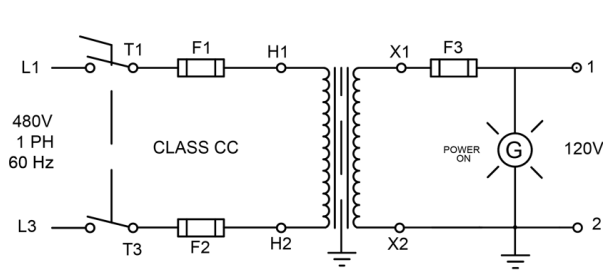
The Daykin MDGT Series is a NEMA 1 enclosed transformer disconnect with a small footprint for use where backplate space is at a premium.

Features

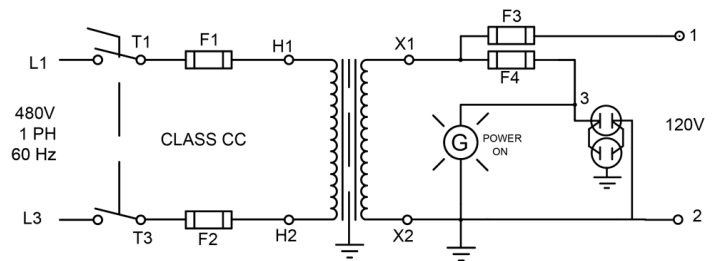
- 5 kA RMS short circuit current rating
- Lockable switch in the off position with primary CLASS CC fuses
- Secondary fuseholders only - suitable for 13/32 " x 1 1/2 " fuses
- Electrostatically shielded transformer provides positive protection against short circuits from the primary to the secondary, as well as attenuating high frequency noise and transients
- Power-on pilot light
- Optional 15 Amp receptacle
- Economical version of GMDGT family



ALL DIMENSIONS ARE IN INCHES AND [MM]



BASE UNIT



BASE UNIT WITH FUSED DUPLEX RECEPTACLE OPTION

Transformer kVA Rating	Model	Fuse Rating/Amps		Approx. Weight lb (kg)
		Primary F1 & F2	Max. Secondary F3 & F4	
0.5	MDGT-0.5	3	6	24 (11)
1.0	MDGT-1	6	12	29 (13)

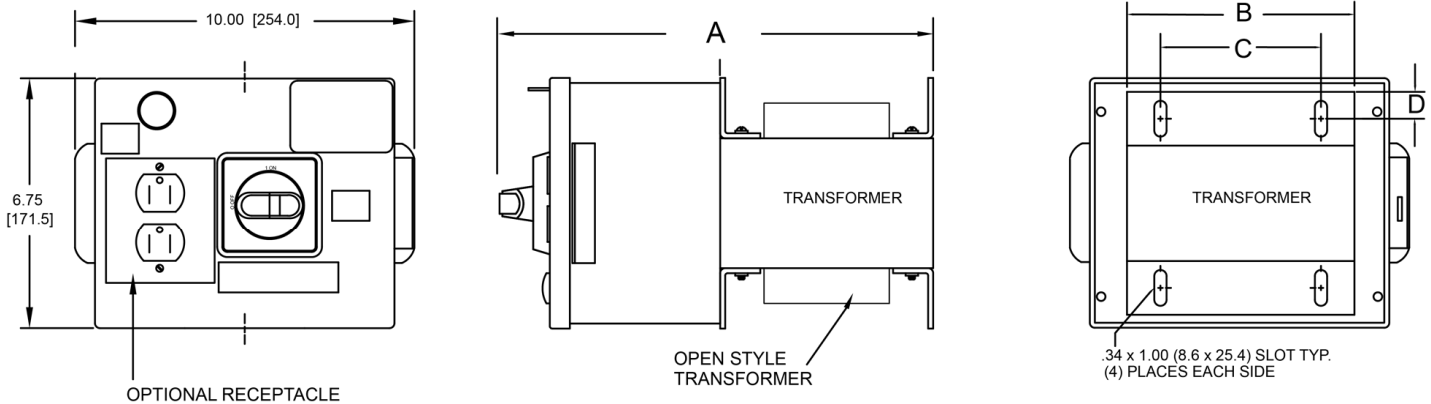
Note: Secondary fuses are not provided

Compact Transformer Disconnect (1.5 kVA - 3 kVA)

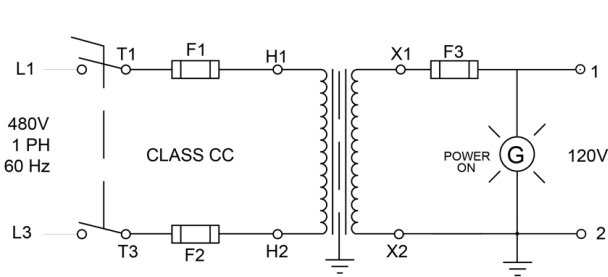
The Daykin OMDGT Series offers a NEMA 1 enclosed disconnect with a choice of three large open transformers. This series provides greater power while still maintaining the smallest possible footprint.

Features

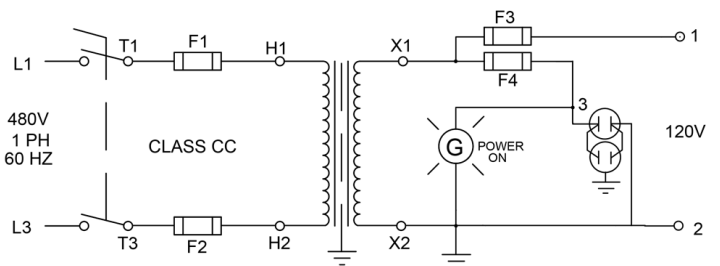
- 5 kA RMS Short Circuit current rating
- Lockable switch in the off position with primary CLASS CC fuses
- Secondary fuseholders only - suitable for 13/32" x 1 1/2" fuses
- Electrostatically shielded transformer provides positive protection against short circuits from the primary to the secondary, as well as attenuating high frequency noise and transients
- Open style transformer for maximum thermal dissipation
- Power-on pilot light
- Optional 15 Amp receptacle
- Economical version of GOMDGT family



ALL DIMENSIONS ARE IN INCHES AND [MM]



BASE UNIT



BASE UNIT WITH FUSED DUPLEX RECEPTACLE OPTION

Transformer kVA Rating	Model	Fuse Rating/Amps		Dimensions are in inches and (mm)				Approx. Weight lb (kg)
		Primary F1 & F2	Max. Secondary F3 & F4	A	B	C	D	
1.5	OMDGT-1.5	10	20	11.77 (299)	6.38 (162)	4.50 (114)	.69 (17.5)	38 (17)
2.0	OMDGT-2	12	25	11.77 (299)	6.38 (162)	4.50 (114)	.69 (17.5)	39 (18)
3.0	OMDGT-3	20	30	12.71 (323)	7.50 (191)	5.50 (140)	.90 (22.9)	55 (25)

Note: Secondary fuses are not provided

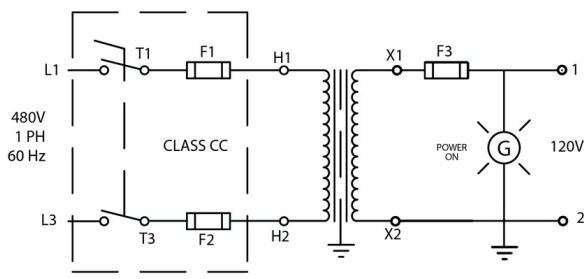
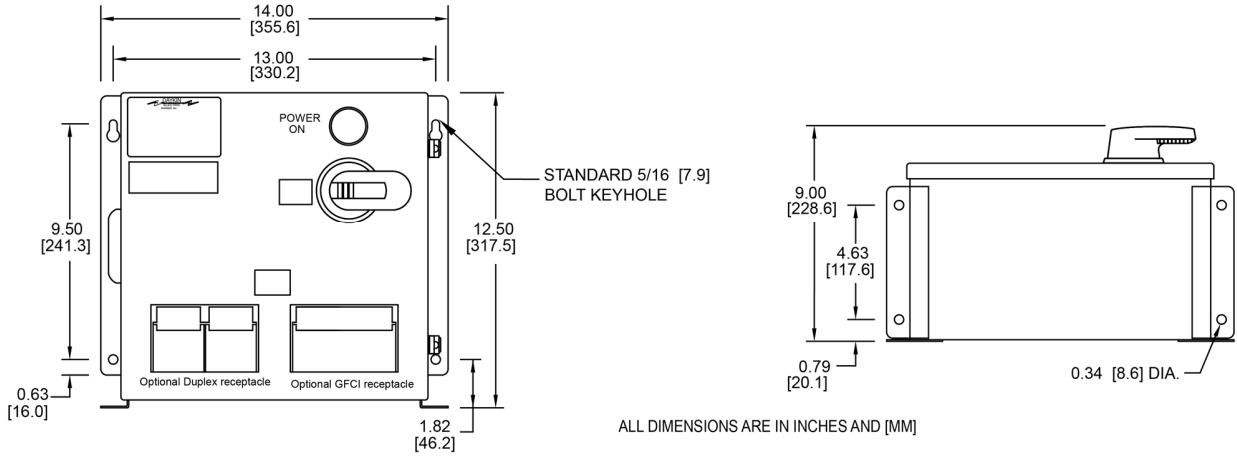
Transformer Disconnect - NEMA 12 / IP54 GPFB Series

General Purpose (0.50 kVA - 3 kVA)

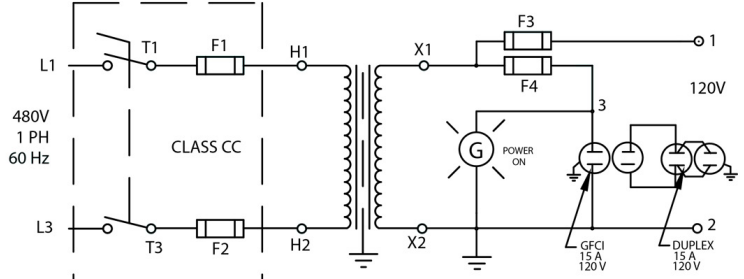
The Daykin GPFB Series is a NEMA 12 / IP54 enclosed transformer disconnect suitable for mounting on the outside of an electrical control panel. This enclosure has provisions for base or side mounting. Dual mounting capability offers flexibility.

Features

- 200 kA RMS short circuit current rating
- Lockable switch in the off position with primary integral CLASS CC fuses
- Secondary fuseholders only - suitable for 13/32 " x 1 1/2 " fuses
- Electrostatically shielded transformer provides positive protection against short circuits from the primary to the secondary, as well as attenuating high frequency noise and transients
- Continuous hinged door with neophene gasketing and enclosure seams continuously welded
- Power-on pilot light
- Optional covered GFCI protected receptacles
- Listed



BASE UNIT



BASE UNIT WITH (2) GFI PROTECTED RECEPTACLES OPTION

Transformer kVA Rating	Model	Fuse Rating/Amps			Approx. Weight lb (kg)
		Primary	Max. Secondary		
		F1 & F2	F3	F4	
0.5	GPFB-0.5	3	6	--	39 (18)
1.0	GPFB-1	6	12	7	44 (20)
1.5	GPFB-1.5	10	20	8	56 (25)
2.0	GPFB-2	12	25	10	60 (27)
3.0	GPFB-3	20	30	15	66 (30)

Note: Secondary fuses are not provided

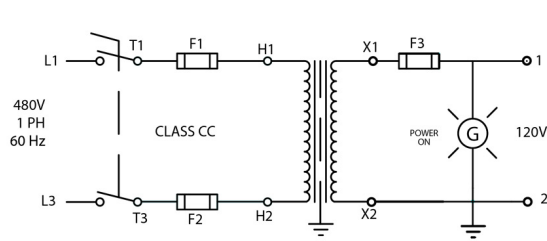
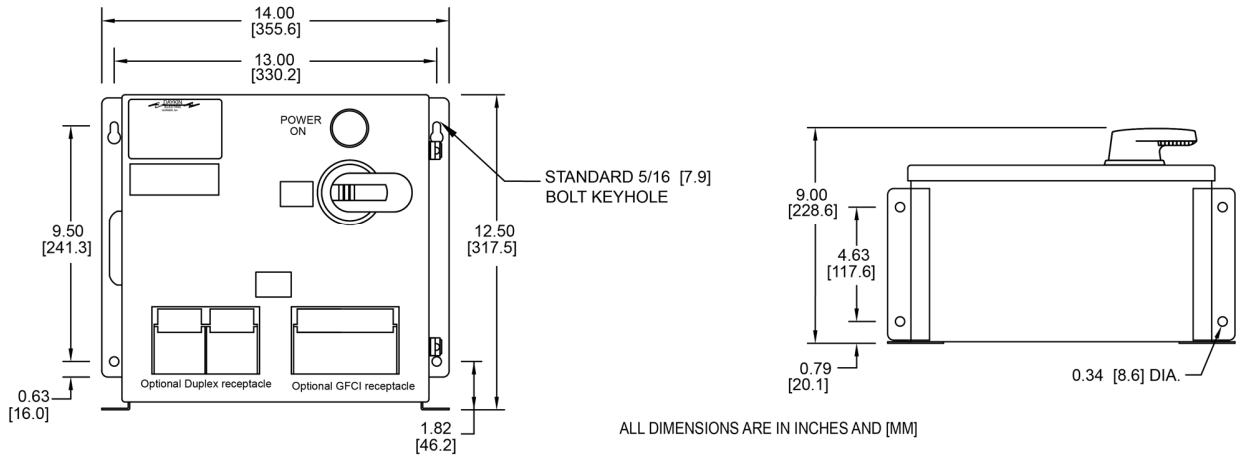
Transformer Disconnect - NEMA 12 / IP54 GPFS Series

General Purpose (0.50 kVA - 3 kVA)

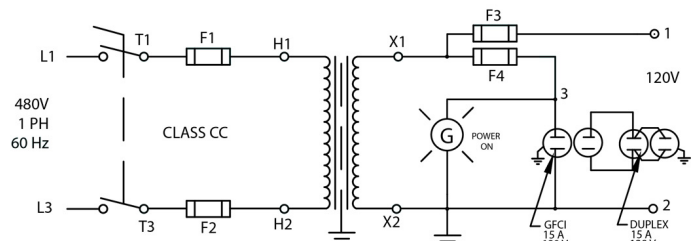
The Daykin GPFS Series is a NEMA 12 / IP54 enclosed transformer disconnect suitable for mounting on the outside of an electrical control panel. This enclosure has provisions for base or side mounting. Dual mounting capability offers flexibility.

Features

- 5 kA RMS short circuit current rating
- Lockable switch in the off position with primary CLASS CC fuses
- Secondary fuseholders only - suitable for 13/32 " x 1 1/2 " fuses
- Electrostatically shielded transformer provides positive protection against short circuits from the primary to the secondary, as well as attenuating high frequency noise and transients
- Continuous hinged door with neophene gasketing and enclosure seams continuously welded
- Power-on pilot light
- Optional covered GFCI protected receptacles



BASE UNIT



BASE UNIT WITH (2) GFI PROTECTED RECEPTACLES OPTION

Transformer kVA Rating	Model	Fuse Rating/Amps			Approx. Weight lb (kg)
		Primary	Max. Secondary		
		F1 & F2	F3	F4	
0.5	GPFS-0.5	3	6	--	39 (18)
1.0	GPFS-1	6	12	7	44 (20)
1.5	GPFS-1.5	10	20	8	56 (25)
2.0	GPFS-2	12	25	10	60 (27)
3.0	GPFS-3	20	30	15	66 (30)

Note: Secondary fuses are not provided

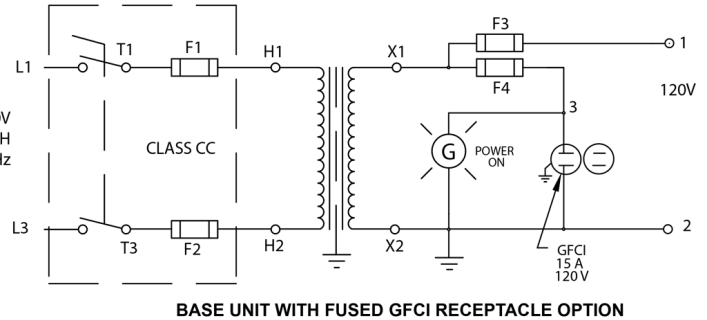
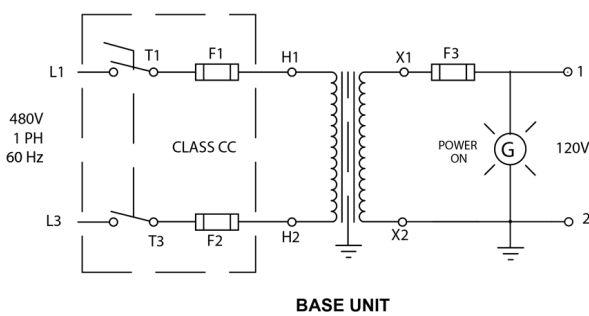
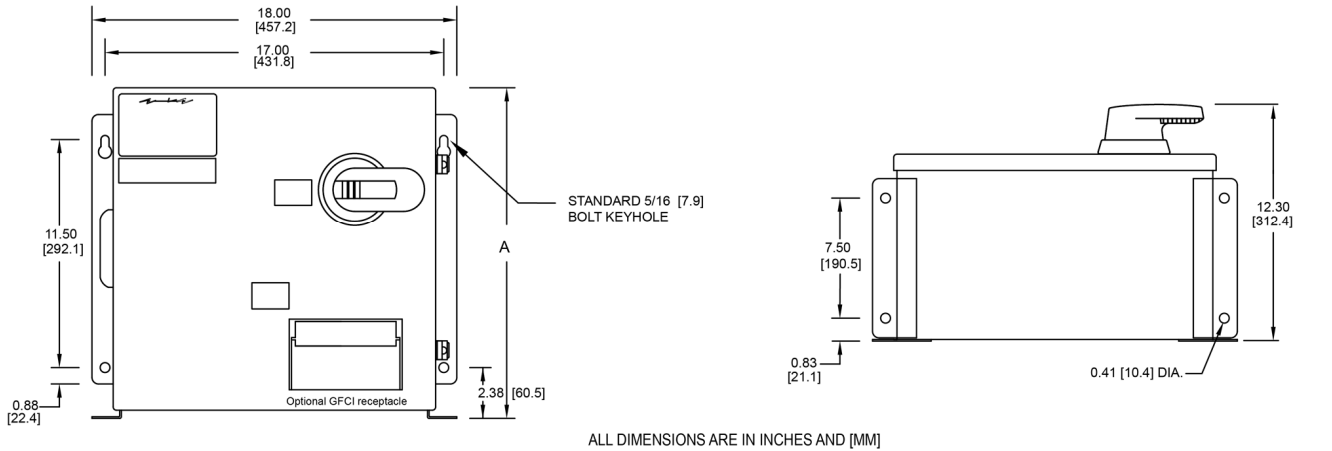
Transformer Disconnect - NEMA 12 / IP54 GNTB Series

General Purpose (5 kVA - 10 kVA)

The Daykin GNTB Series is a NEMA 12 / IP54 enclosed transformer disconnect with a large capacity machine tool transformer. Dual mounting capability offers flexibility.

Features

- 200 kA RMS short circuit current rating
- Lockable switch in the off position with primary integral CLASS CC fuses
- Secondary fuseholders only - suitable for CLASS RK5 fuses
- Electrostatically shielded transformer provides positive protection against short circuits from the primary to the secondary, as well as attenuating high frequency noise and transients
- Flange mounted lockable disconnect switch with visible blade construction
- Continuous hinged door with neophene gasketing and enclosure seams continuously welded
- Power-on pilot light
- Optional 15 Amp GFCI receptacle with cover
- Listed



Transformer kVA Rating	Model	Fuse Rating/Amps		Dimensions A in inches and (mm)	Approx. Weight lb (kg)
		Primary F1 & F2	Max. Secondary F3 & F4		
5.0	GNTB-5	20	60	15.19 (386)	125 (57)
7.5	GNTB-7.5	25	80	15.19 (386)	175 (79)
10.0	GNTB-10	30	100	18.69 (475)	200 (91)

Note: Secondary fuses are not provided

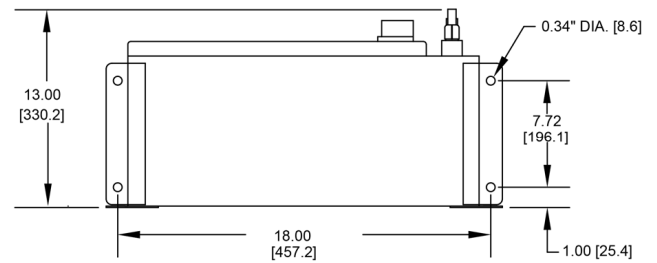
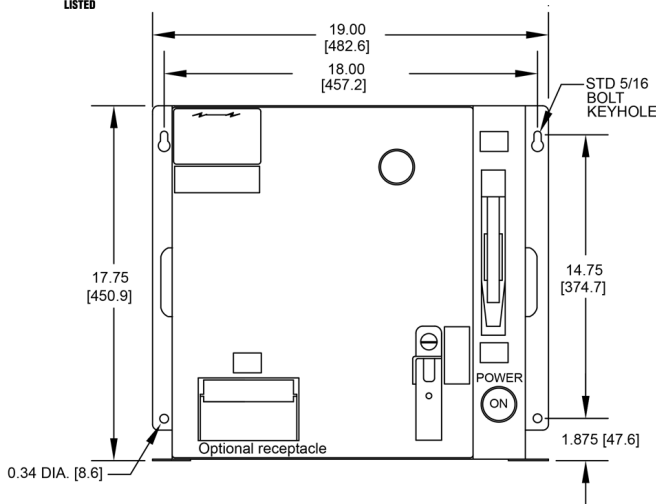
Transformer Disconnect - NEMA 12 / IP54 STDAB1 Series

General Purpose Flange Mounted Switch (1 kVA - 3 kVA)

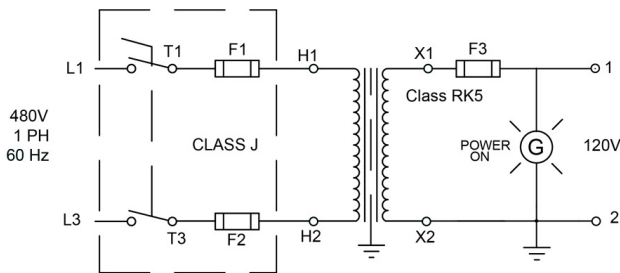
The Daykin STDAB1 Series is a NEMA 12 / IP54 enclosed transformer disconnect with a flange mounted disconnect switch. This enclosure has provisions for base or side mounting. This rugged series is well suited for the industrial plant environment.

Features

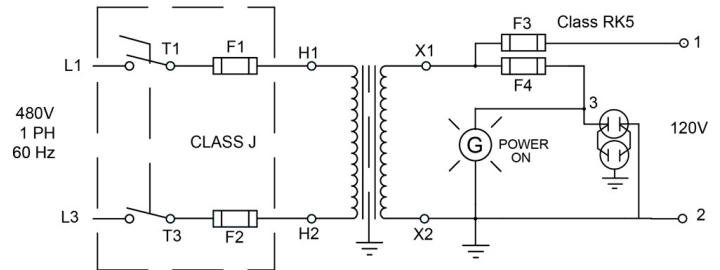
- 200 kA RMS short circuit current rating
- Lockable switch in the off position with primary integral CLASS J fuses
- Secondary fuseholders only - suitable for CLASS RK5 fuses
- Electrostatically shielded transformer provides positive protection against short circuits from the primary to the secondary, as well as attenuating high frequency noise and transients
- Flange mounted lockable disconnect switch with visible blade construction
- Continuous hinged door with neophene gasketing and enclosure seams continuously welded
- Power-on pilot light
- Optional 15 Amp GFCI receptacle with cover
- Listed



ALL DIMENSIONS ARE IN INCHES AND [MM]



BASE UNIT




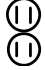
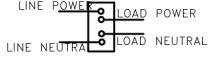

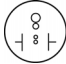
BASE UNIT WITH FUSED GFCI RECEPTACLE OPTION

Transformer kVA Rating	Model	Fuse Rating/Amps		Approx. Weight lb (kg)
		Primary F1 & F2	Max. Secondary F3 & F4	
1.0	STDAB1-1	6	12	57 (26)
1.5	STDAB1-1.5	10	20	68 (31)
2.0	STDAB1-2	12	25	72 (33)
3.0	STDAB1-3	20	30	81 (37)

Note: Secondary fuses are not provided

Transformer Disconnects

Options Available for Transformer Disconnects

General Options Available		Add Suffix
Standard duplex receptacle (with fuseholder only)		D
Secondary fuses provided		F
GFCI receptacle provided (with fuseholder only)		G
GFCI breaker to protect entire load		B
European "Shuko" style receptacle 2P, 3W, 250V (with fuseholder only)		M
Universal receptacle provided (with fuseholder only)		R1
No pilot light (pilot light is provided by default)		N
CE Certified		CE
Additional secondary fuseholder		A
3 primary fuses provided (2 provided by default)		P

Voltage Options			
Primary Volts	Secondary Volts	Hertz	Add Suffix
380	115	50	380
400	115	50	400
415	115	50	415
600	120	50	600
380	220	50	3802
400	220	50	4002
415	220	50	4152
480/380	120	50	431
480/380	220	50	432