



# DuraBoxx® Series





## DuraBoxx® Series

The Stahlin **DuraBoxx® Series** was developed with a sleek design and shallow depths. These enclosures are suited for rugged, durable performance in both commercial and industrial indoor and outdoor environments such as mining, oil, gas, wastewater treatment, and petro-chem. Also, because of their pleasing aesthetics and flush cover design, they are well suited for high-end electronic applications such as wireless communications and operator interfaces.

### Attributes

- Flat cover with captive cover screws
- Clear cover options available on select sizes
- DIN rail mounting capabilities
- Back panels available for all sizes
- No sidewall obstructions, flush cover

### Industry Standards

<b>NEMA 250, UL Listed UL50, UL50e, UL508A</b>	File E64358 Type 1, 3, 3S, 4X, 6, 6P, 12
<b>CSA Std C22.2</b>	File LR069014 Type 1, 3, 3S, 4X, 6, 6P, 12
<b>IEC 60529</b>	IP66, IP67, IP68
<b>Temperature Range</b>	(-26°F to +257°F) (-32°C to +125°C)
<b>Flammability Rating</b>	UL94-V0
<b>Self Extinguishing</b>	Non-halogenated, Non-flame propagating
<b>Outdoor UV Exposure</b>	(f1) Rated

### Product Configurations

#### D SERIES



FLUSH FITTING  
COVER FASTENED  
BY CAPTIVE  
LID SCREWS

#### DL SERIES



FLUSH FITTING  
COVER FASTENED  
BY CAPTIVE  
LID SCREWS



# D Series



**CONFIGURATION**  
Flush fitting cover fastened by captive lid screws



## W Construction

<b>Material</b>	Hot compression molded fiberglass reinforced polyester (thermoset)
<b>Gasket</b>	Poured polyurethane seamless gasket provides watertight, dust-tight environmental seal
<b>Recessed Screws</b>	No protruding surfaces
<b>Stainless Steel Hardware</b>	300 Series stainless used on all hardware
<b>Mounting Bosses</b>	Panel mounting capability for fixed rear panel or DIN rail
<b>Metal Inserts</b>	All bosses utilize threaded brass inserts accepting M6 screws
<b>Soft Edge Design</b>	Rounded edges, minimal protrusions or exposed pocket areas for assembly of dust and debris

## W Modifications

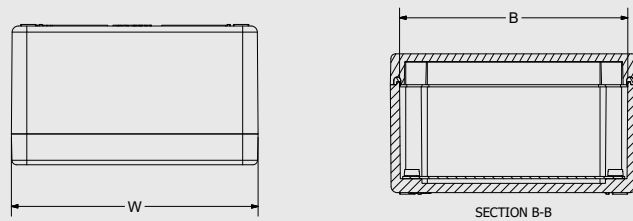
<b>Custom Colors</b>	pg. 21-22
<b>Silk Screening</b>	pg. 21-22
<b>EMI/RFI Shielding</b>	pg. 21-22
<b>Custom Window</b>	pg. 21-22
<b>Custom Cutouts/Holes</b>	pg. 21-22

## W Industry Standards

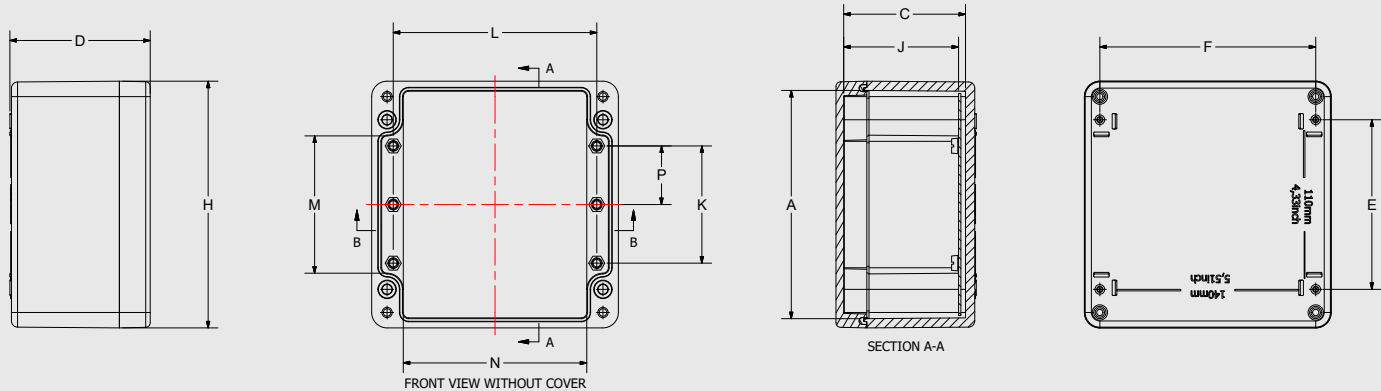
<b>NEMA 250, UL Listed UL50, UL50e, UL508A</b>	File E64358 Type 1, 3, 3S, 4X, 6, 6P, 12
<b>CSA Std C22.2</b>	File LR069014 Type 1, 3, 3S, 4X, 6, 6P, 12
<b>IEC 60529</b>	IP66, IP67, IP68
<b>Temperature Range</b>	(-26° F to +257° F) (-32° C to +125° C)
<b>Flammability Rating</b>	UL94-V0
<b>Self Extinguishing</b>	Non-halogenated, Non-flame propagating
<b>Outdoor Exposure UL746C</b>	(f1) Rated

## W Accessories

<b>ACCESSORIES</b>	<b>Aluminum Back Panels</b>	D_BP	pg. 176
	<b>Drain &amp; Breather Vents</b>		pg. 185
	<b>Hole Plugs</b>		pg. 187
	<b>Assorted Hubs and Cord Grips</b>		pg. 188-189
	<b>All Other Accessories</b>		pg. 184-194



- NOTES:  
 1. CATALOG DRAWING IS FOR REFERENCE ONLY  
 2. SEE ACTUAL PART DRAWING FOR SPECIFIC DESIGN  
 3. DIMENSION "J" IS WITH BACK PANEL INSTALLED  
 4. BACK PANEL SOLD SEPARATELY



### SCREW SIZES & TORQUE VALUES

PRODUCT SIZES	BACK PANEL SCREW SIZE	BACK PANEL RECOMMENDED TORQUE	COVER SCREW SIZE	COVER SCREW RECOMMENDED TORQUE	MOUNTING FOOT SCREW SIZE	MOUNTING FOOT SCREW RECOMMENDED TORQUE	RECOMMENDED MOUNTING FLANGE TORQUE
All Sizes	M6 x 9.5 mm	16 - 20 in-lbs	M6-1.0 x 35 mm	20 - 24 in-lbs	All Sizes	20 - 24 in-lbs	20 - 24 in-lbs

## DuraBoxx® Series – D Series

CATALOG NUMBER	OVERALL H X W X D	INSIDE A X B X C	MOUNTING E X F	J	K	L	M X N	P	SHIP WEIGHT	PANEL NUMBER
D333W	2.95 x 3.15 x 2.98 (75 x 80 x 76)	2.56 x 2.76 x 2.56 (65 x 70 x 65)	1.57 x 2.48 (40 x 63)	2.26 (57)	N/A	2.28 (58)	1.06 x 1.93 (27) (49)	N/A	0.81 LB	D333BP*
D342W	2.95 x 4.33 x 2.22 (75 x 110 x 56)	2.56 x 3.96 x 1.81 (65 x 100 x 46)	1.77 x 3.86 (45 x 98)	1.53 (39)	N/A	3.50 (89)	1.29 x 3.37 (33) (86)	N/A	.88 LB	D342BP*
D554W DCC554W	4.72 x 4.80 x 3.58 (120 x 122 x 91)	4.33 x 4.41 x 3.15 (110 x 112 x 80)	3.23 x 4.17 (82 x 106)	2.93 (74)	2.05 (52)	3.74 (95)	2.56 x 3.50 (65) (89)	1.02 (26)	1.7 LB	D554BP*
D593W DCC593W	4.72 x 8.66 x 3.18 (120 x 220 x 81)	4.34 x 8.28 x 2.83 (110 x 210 x 72)	3.23 x 8.03 (82 x 204)	2.62 (67)	2.05 (52)	7.60 (193)	2.57 x 7.37 (65) (187)	1.02 (26)	2.4 LB	D593BP*
D594W DCC594W	4.72 x 8.66 x 3.58 (120 x 220 x 91)	4.33 x 8.27 x 3.15 (110 x 210 x 80)	3.23 x 8.03 (82 x 204)	2.93 (74)	2.05 (52)	7.60 (193)	2.57 x 7.37 (65) (187)	1.02 (26)	2.5 LB	D594BP*
D774W	6.30 x 6.30 x 3.58 (160 x 160 x 91)	5.79 x 5.79 x 3.11 (147 x 147 x 79)	4.33 x 5.51 (110 x 140)	2.93 (74)	2.99 (76)	5.20 (132)	3.50 x 4.68 (89) (119)	1.50 (38)	2.8 LB	D774BP*
D7114W	6.30 x 10.24 x 3.58 (160 x 260 x 91)	5.79 x 9.72 x 3.11 (147 x 247 x 79)	4.33 x 9.45 (110 x 240)	2.93 (74)	2.99 (76)	9.13 (232)	3.50 x 8.62 (89) (219)	1.50 (38)	3.8 LB	D7114BP*
D10105W	9.84 x 10.04 x 4.76 (250 x 255 x 121)	9.32 x 9.51 x 4.29 (237 x 242 x 109)	7.87 x 9.25 (200 x 235)	4.11 (104)	3.94 (100)	8.94 (227)	7.03 x 8.41 (179) (214)	1.97 (50)	6.4 LB	D10105BP*
D10165W	9.84 x 15.75 x 4.76 (250 x 400 x 121)	9.32 x 15.22 x 4.29 (237 x 387 x 109)	7.87 x 14.96 (200 x 380)	4.09 (104)	3.94 (100)	14.65 (327)	7.03 x 14.12 (179) (359)	1.97 (50)	8.8 LB	D10165BP*
D14144W	14.17 x 14.17 x 3.58 (360 x 360 x 91)	13.66 x 13.66 x 3.11 (347 x 347 x 79)	12.20 x 13.39 (310 x 340)	2.91 (74)	5.35 (136)	13.07 (332)	11.38 x 12.56 (289) (319)	2.68 (68)	8.0 LB	D14144BP*
D16165W	15.94 x 15.75 x 4.76 (405 x 400 x 121)	15.42 x 15.22 x 4.29 (392 x 387 x 109)	13.98 x 14.96 (355 x 380)	4.09 (104)	9.84 (250)	14.65 (372)	13.14 x 14.12 (334) (359)	4.92 (125)	11.0 LB	D16165BP*

DuraBoxx® Clear Cover Sizes: DCC Part Number.



\* Panel ordered separately