

# CYR cable passing hoods

enclosures:

size "77.27"  
size "104.27"

**Note:**  
cannot be used with T-TYPE series

cable passing hoods



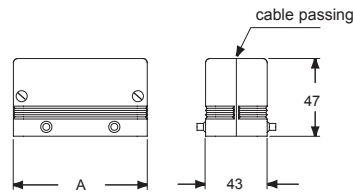
description	part No.	size
with pegs for two levers	<b>CYR 16.3</b>	77.27
3 holes for round cables Ø 5 - 13.5 mm	<b>CYR 24.4</b>	104.27
4 holes for round cables Ø 5 - 13.5 mm		

**CYR enclosures for round cables**

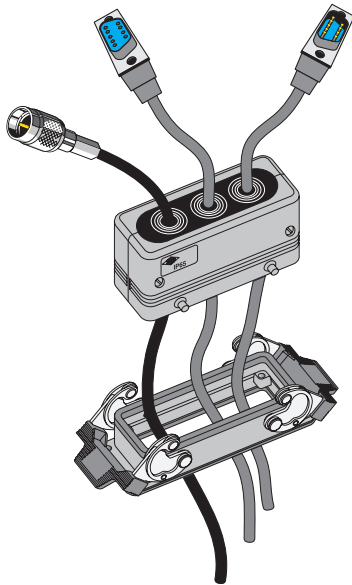
The CYR enclosures are used in installations that require a passage for round cables for data transmission (e.g. computers or PLC) via equipment such as command or control panels, ensuring a good condition of the cable connections.

The enclosures are in two parts and have sealing gaskets to preserve the degree of protection of the equipment. The enclosures also contain a rapid cable block device.

The CYR 16.3 and 24.4 can be used with the **bulkhead mounting housings with 2 levers** respectively.



part No.	A	grommet entry	nr.	size
<b>CYR 16.3</b>	93,5	ø 5 / 13,5	3	77.27
<b>CYR 24.4</b>	120	ø 5 / 13,5	4	104.27



**CAIUS**® Type 12



SPECIAL ENCLOSURES